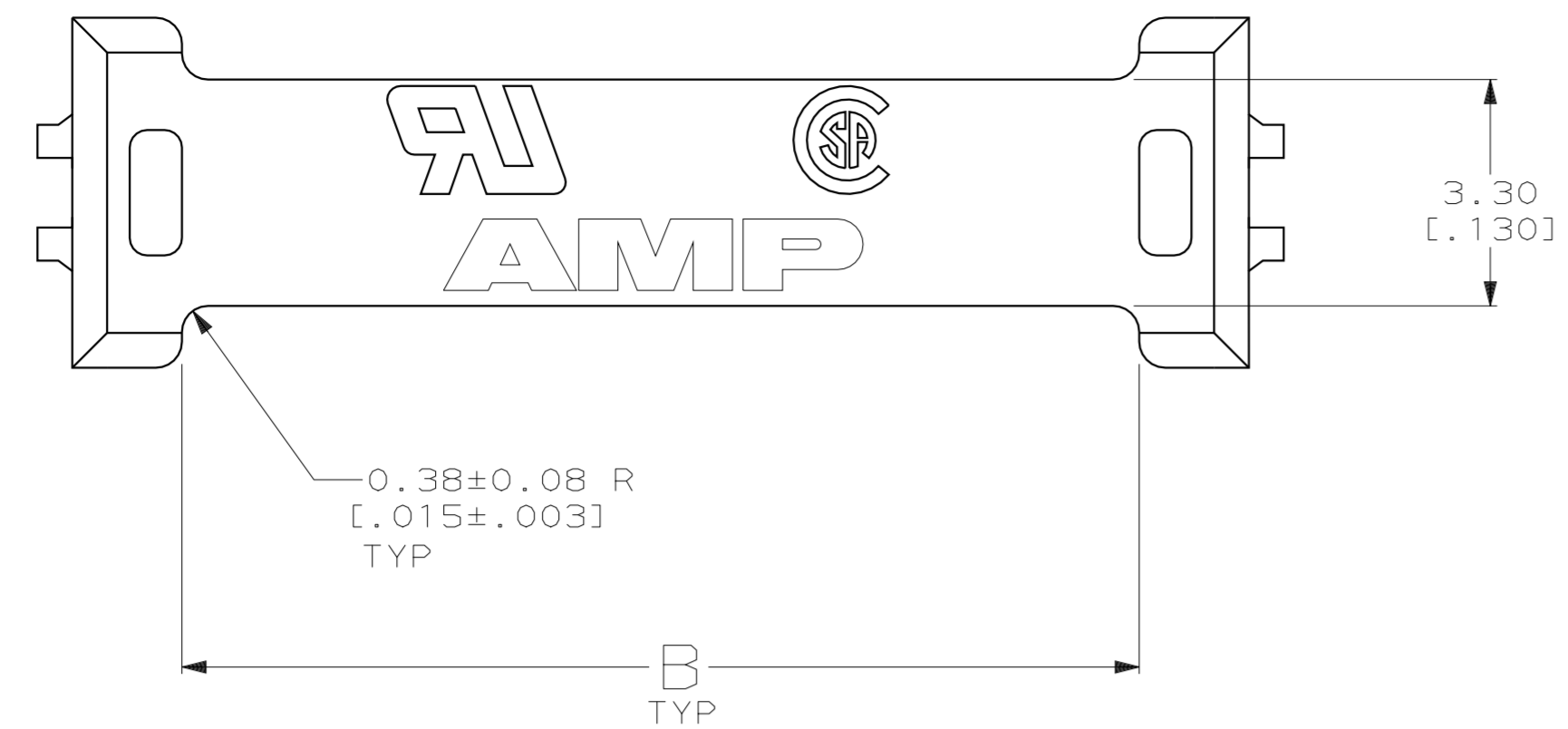
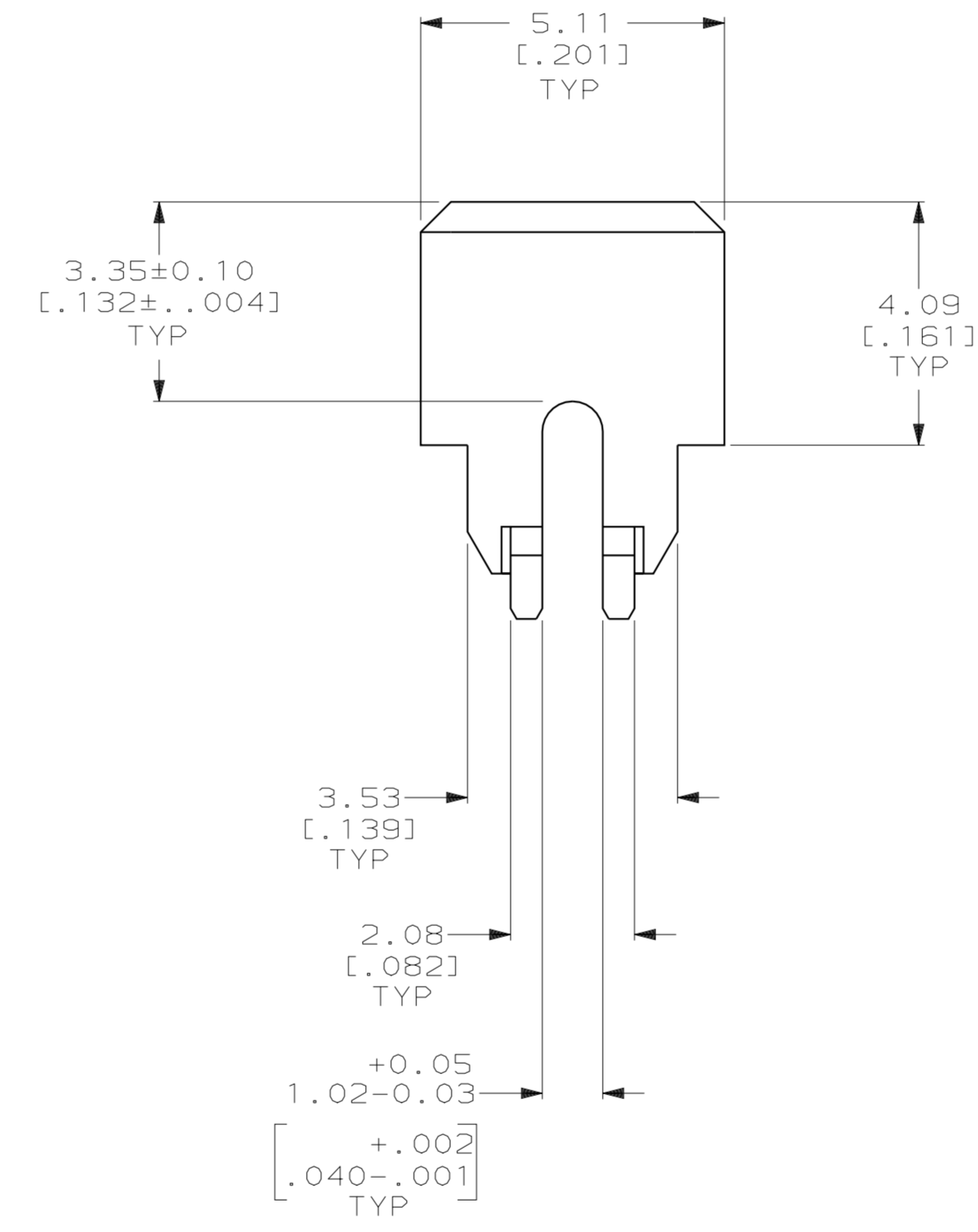
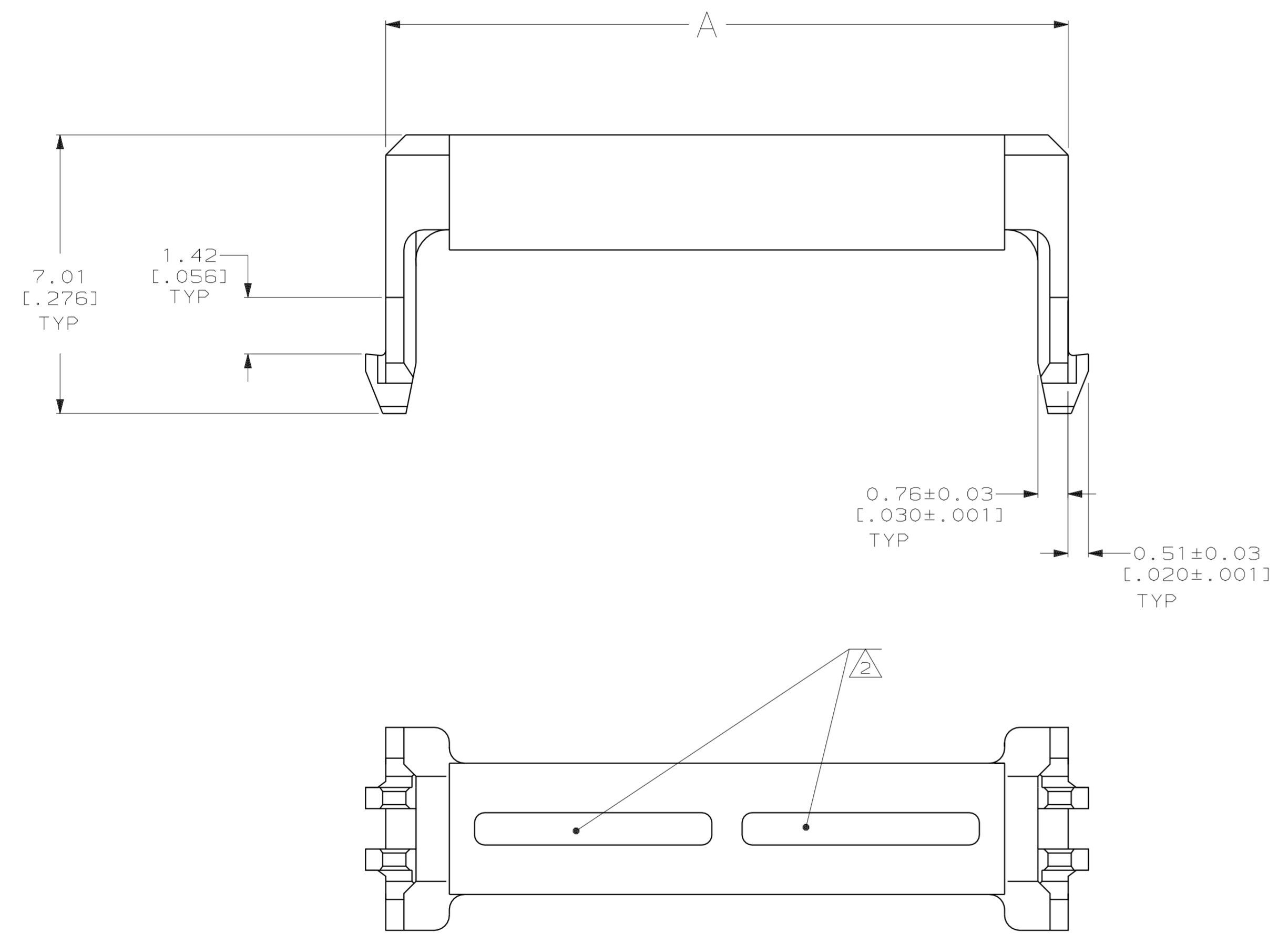


REVISIONS							
LOC	DIST	P	ZONE	LTR	DESCRIPTION	DATE	APPD
GP	00				K1 REVISED PER ECO 05-008301	11MAY06	JG



- 1 POLYESTER, BLACK, UL94 V-0.
- 2 CORING CONFIGURATION VARIES BY PART SIZE.
- 3. MAXIMUM ACCEPTABLE CABLE THICKNESS 0.97 [0.038].



11.94 [4.470]	15.14 [5.961]	12	1-111614-7
7.98 [3.144]	11.18 [4.440]	8	1-111614-6
21.97 [8.665]	25.17 [9.911]	22	1-111614-5
67.97 [2.676]	71.17 [2.802]	68	1-111614-4
63.96 [2.518]	67.18 [2.645]	64	1-111614-3
59.97 [2.361]	63.17 [2.487]	60	1-111614-2
49.96 [1.967]	53.16 [2.093]	50	1-111614-1
43.97 [1.731]	47.17 [1.857]	44	1-111614-0
39.98 [1.574]	43.18 [1.700]	40	111614-9
33.96 [1.337]	37.16 [1.463]	34	111614-8
29.97 [1.180]	33.17 [1.306]	30	111614-7
25.96 [1.022]	29.16 [1.148]	26	111614-6
23.98 [0.944]	27.18 [1.070]	24	111614-5
19.96 [0.786]	23.16 [0.912]	20	111614-4
15.98 [0.629]	19.18 [0.755]	16	111614-3
13.97 [0.550]	17.17 [0.676]	14	111614-2
9.96 [0.392]	13.16 [0.518]	10	111614-1
B	A	NO OF POSN	PART NO

DO NOT SCALE PRINT. UNLESS SPECIFIED DIMENSIONS IN mm [INCHES]		DR 02-21-92 C.OBERMAN		AMP Incorporated Harrisburg, PA 17105-3608	
TOLERANCES ON:		CHK 03-2-92 R.STONE			
2 PLC DEC ± 0.05 [0.02]		APPD 03-2-92 R.LOCATI		NAME	
3 PLC DEC ± -		APPD 03-3-92 D.HOFFMAN		STRAIN RELIEF, 2mm CL, AMP-LATCH	
ANGLES ± -		PRODUCT SPEC 108-1372			
MATERIAL		FINISH		SIZE	CAGE CODE
		-		D	00779
				DRAWING NO 111614	
WEIGHT		SCALE 10:1		SHEET 1 OF 1	

X-ON Electronics

Largest Supplier of Electrical and Electronic Components

Click to view similar products for [Headers & Wire Housings](#) category:

Click to view products by [TE Connectivity](#) manufacturer:

Other Similar products are found below :

[892-18-020-10-001101](#) [58102-G61-06LF](#) [582553-1](#) [0009485154](#) [009176003701906](#) [0050291907](#) [LY20-4P-DT1-P1E-BR](#) [02.125.8002.8](#)
[609-3404](#) [61062-3](#) [61082-181009](#) [622-3653LF](#) [63453-116](#) [636-1030](#) [636-1427](#) [636-3427](#) [636-4007](#) [641938-9](#) [641991-4](#) [644827-2](#) [65817-](#)
[010LF](#) [65817-015LF](#) [65863-015LF](#) [66207-023LF](#) [67095-007LF](#) [67601157](#) [68645-018](#) [68648-049](#) [70.362.1628.0](#) [70-4210](#) [70-4226B](#) [70-](#)
[4853B](#) [707-5020](#) [707-5028](#) [71.350.2428.0](#) [71918-208LF](#) [71961-016LF](#) [733-134](#) [733-162](#) [754199-000](#) [760-3052](#) [787-8014-00](#) [79531-3000](#)
[FCN-360C032-B](#) [FCN-367T-T012/H](#) [FCN-723D010/2](#) [80.063.4001.1](#) [800-90-001-10-001000](#) [800-90-010-10-002000](#) [801-43-002-10-013000](#)