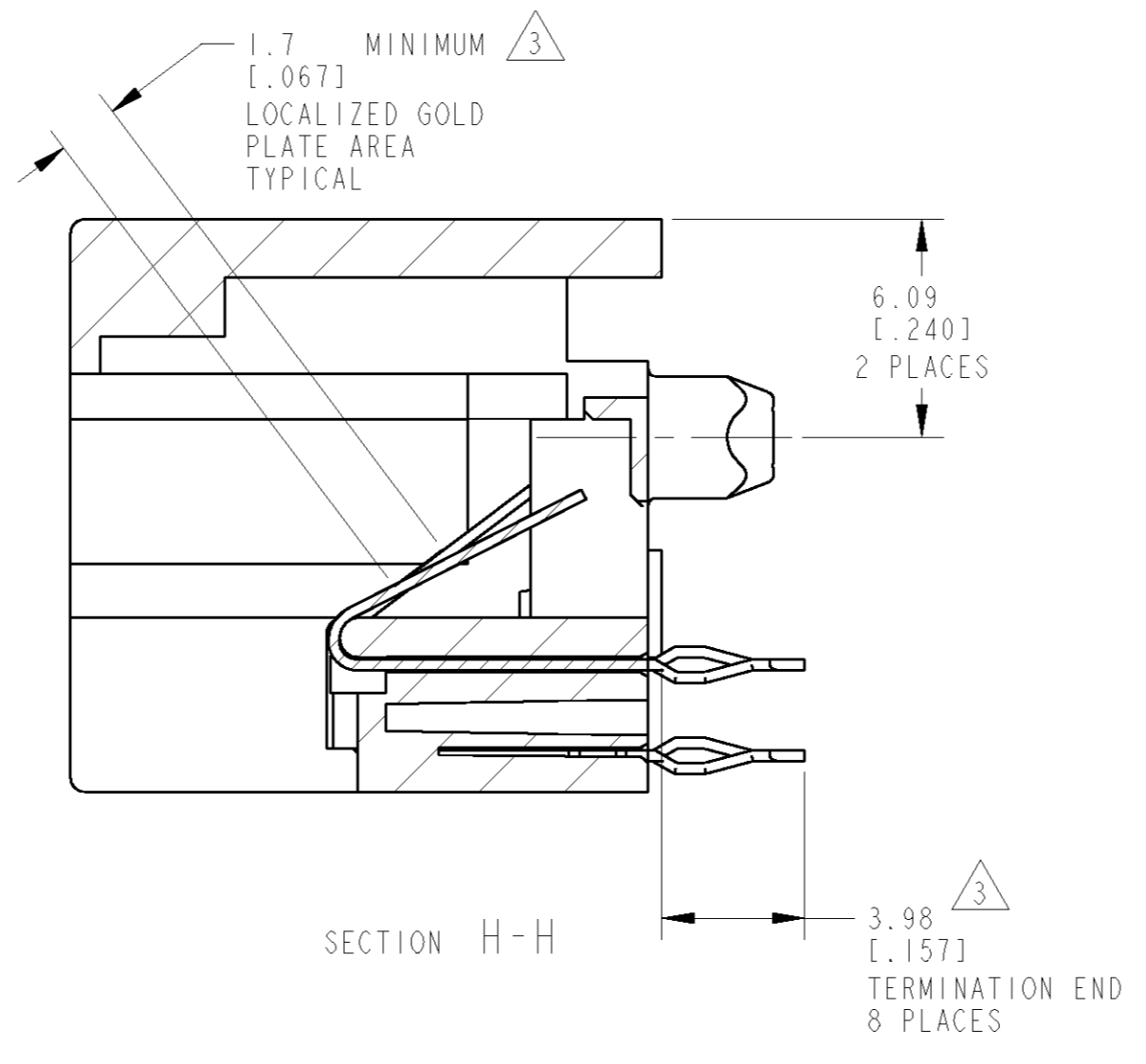
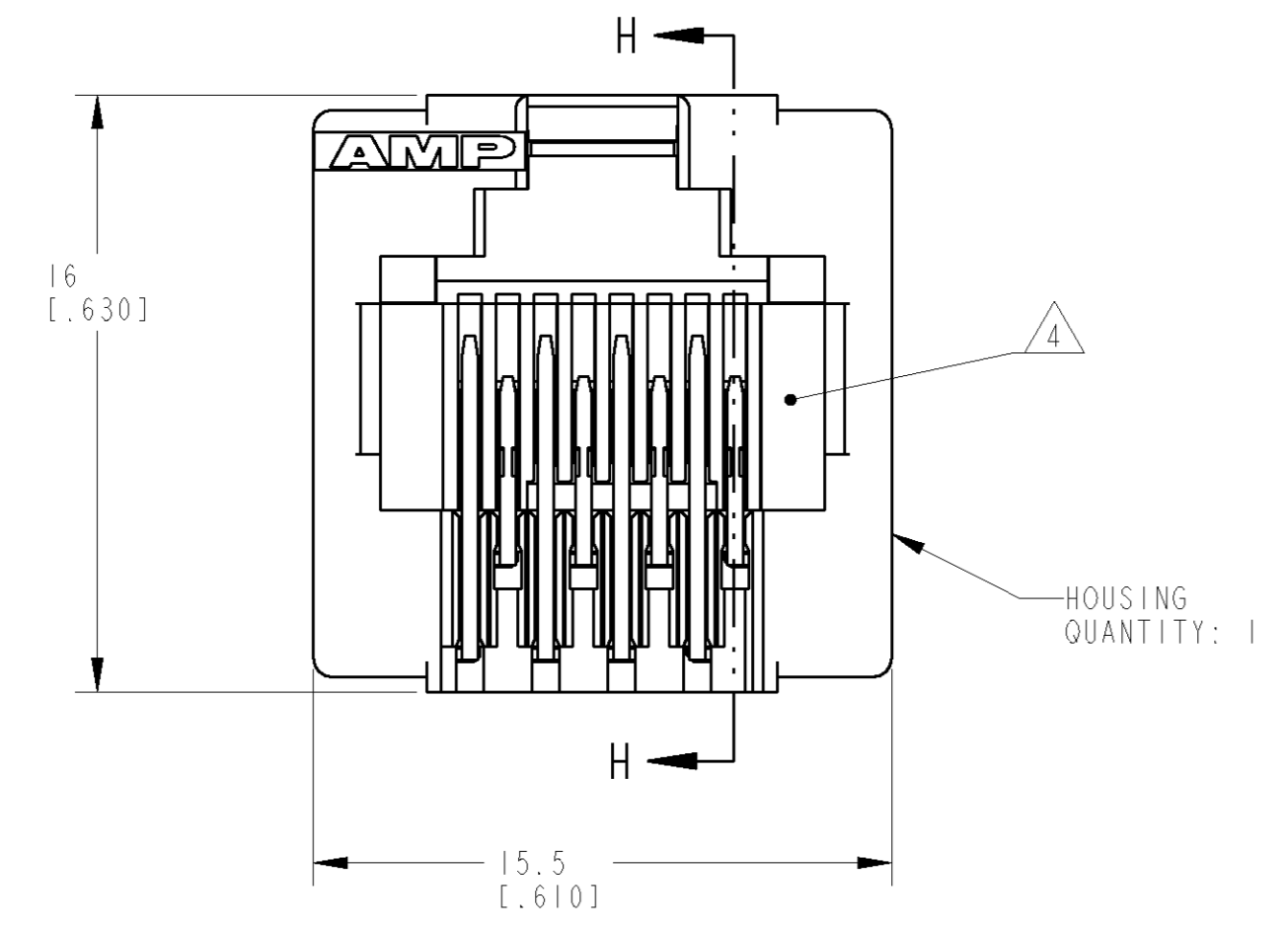
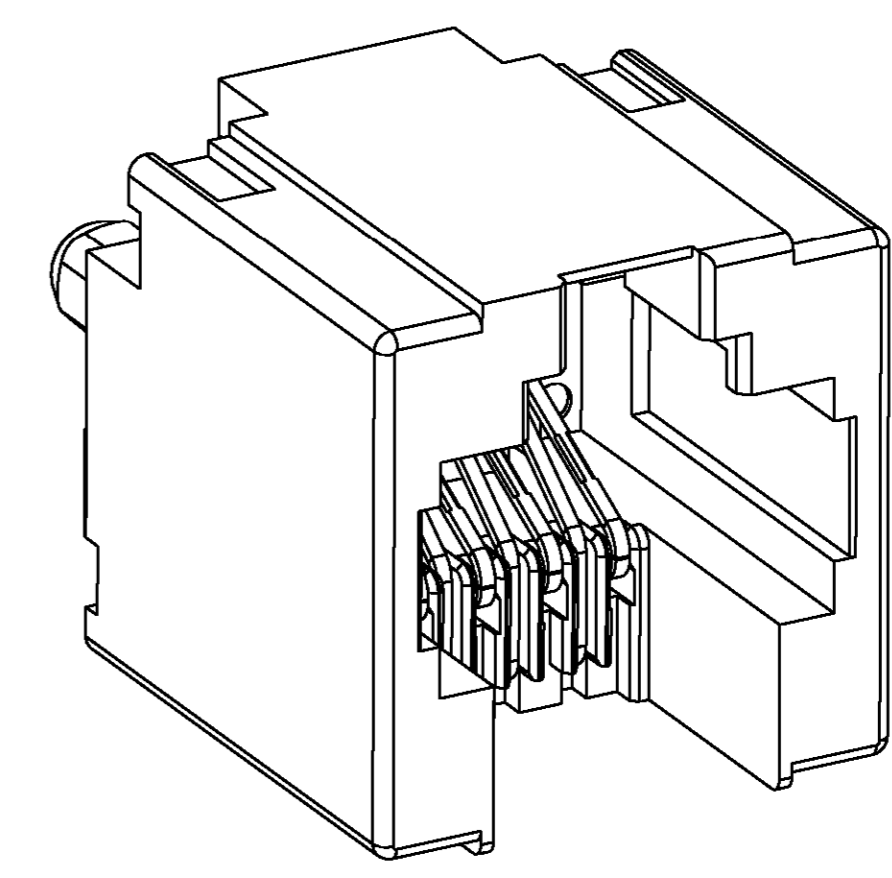
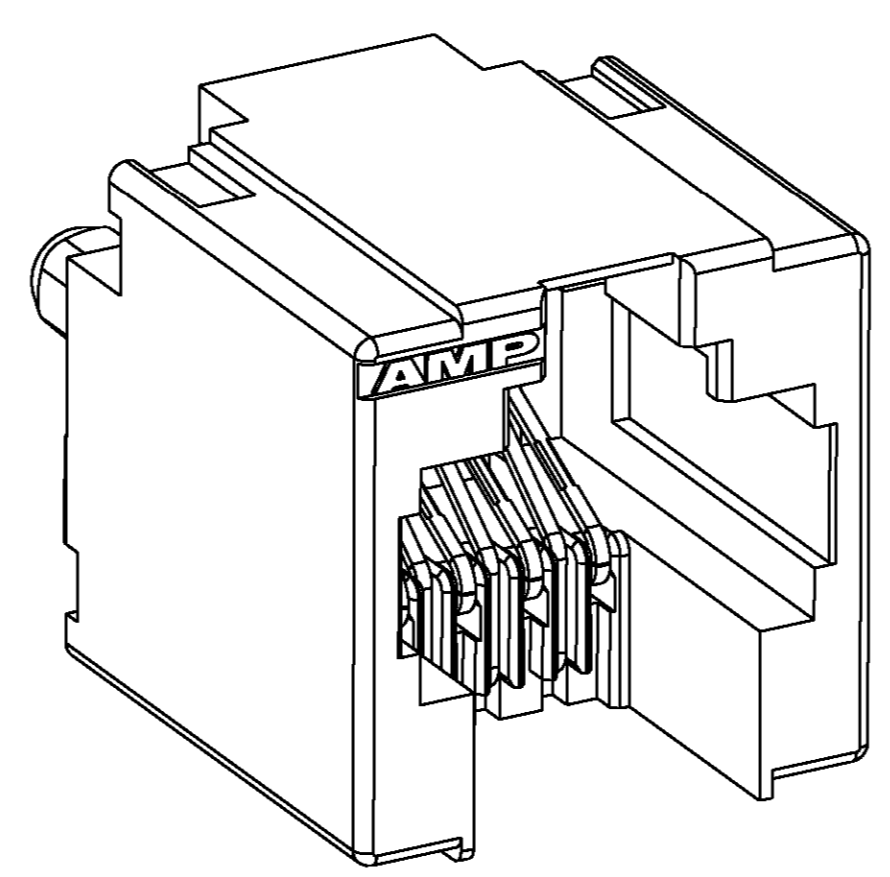
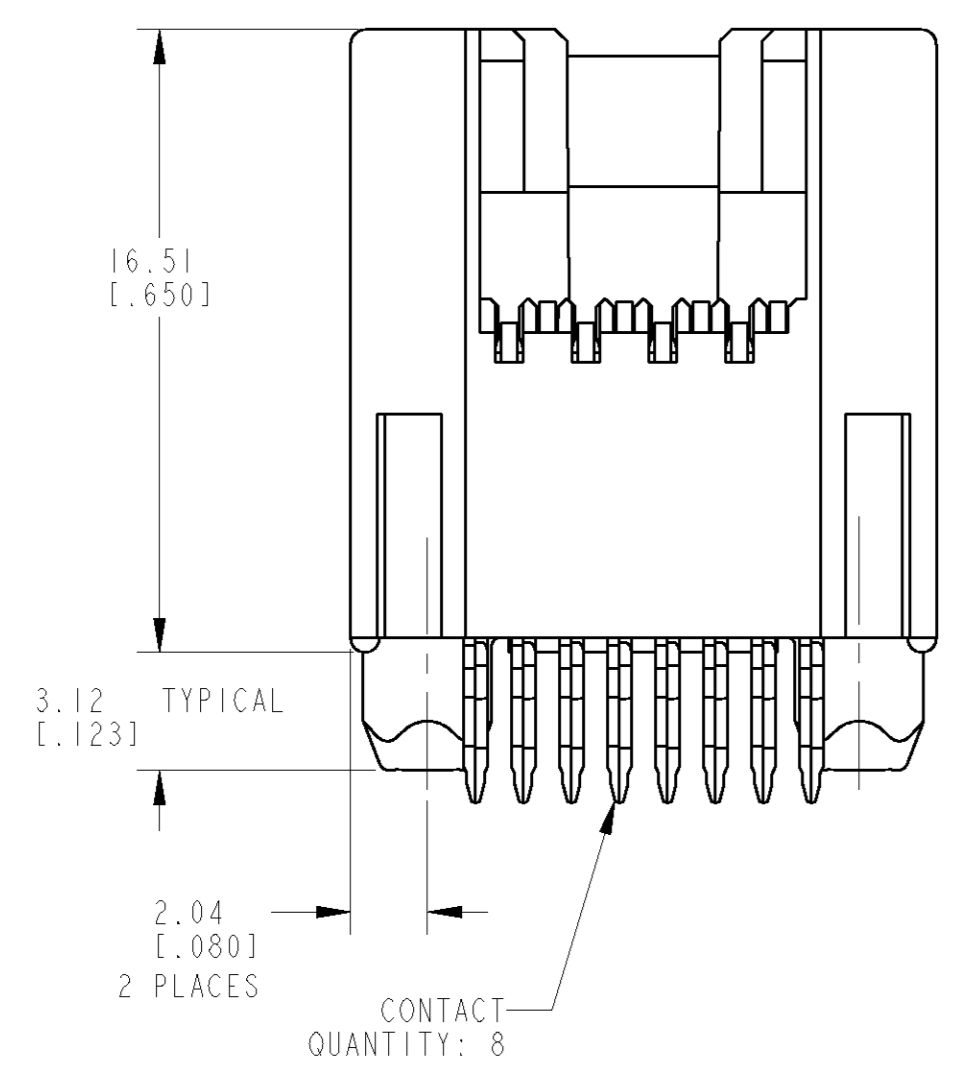


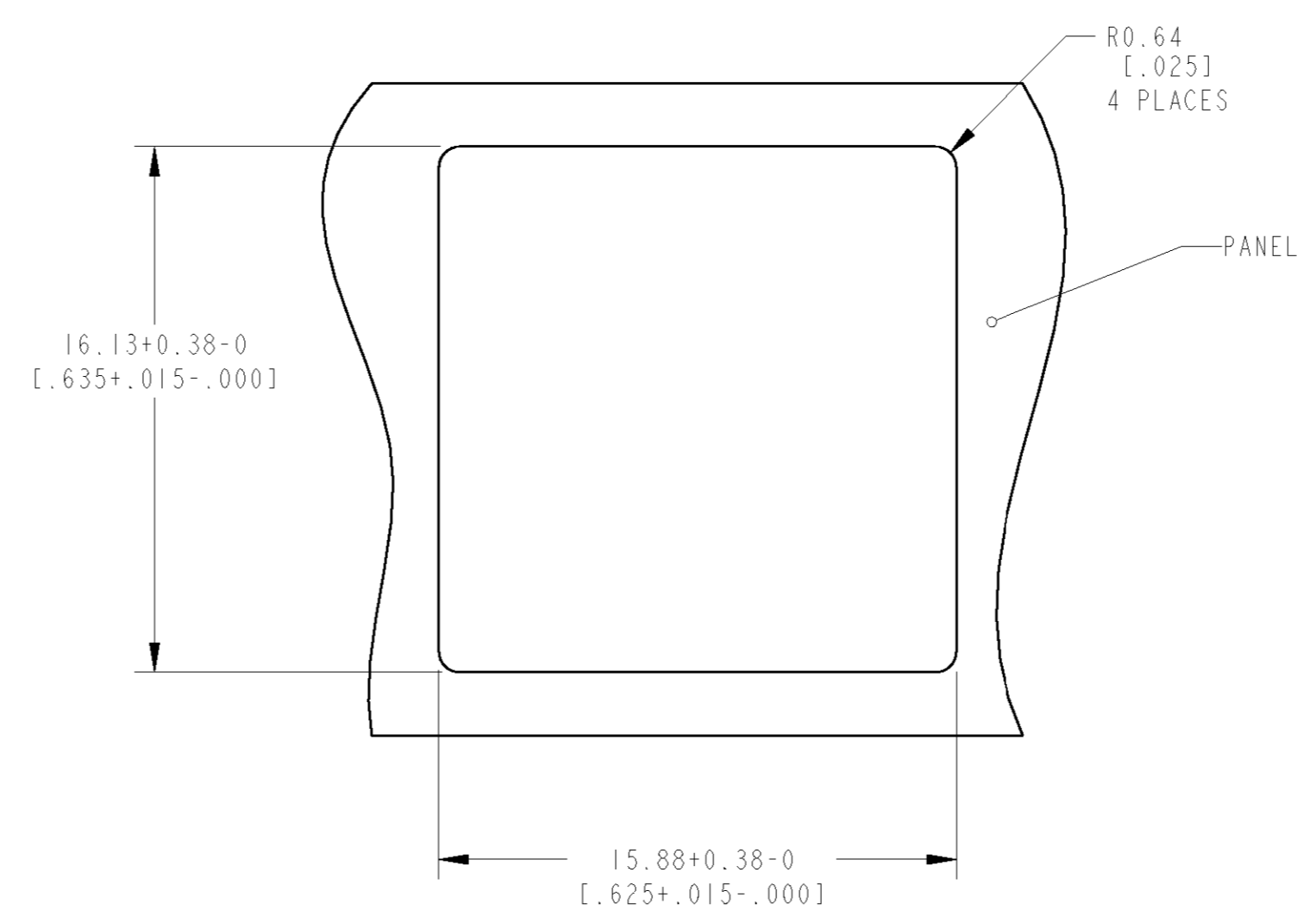
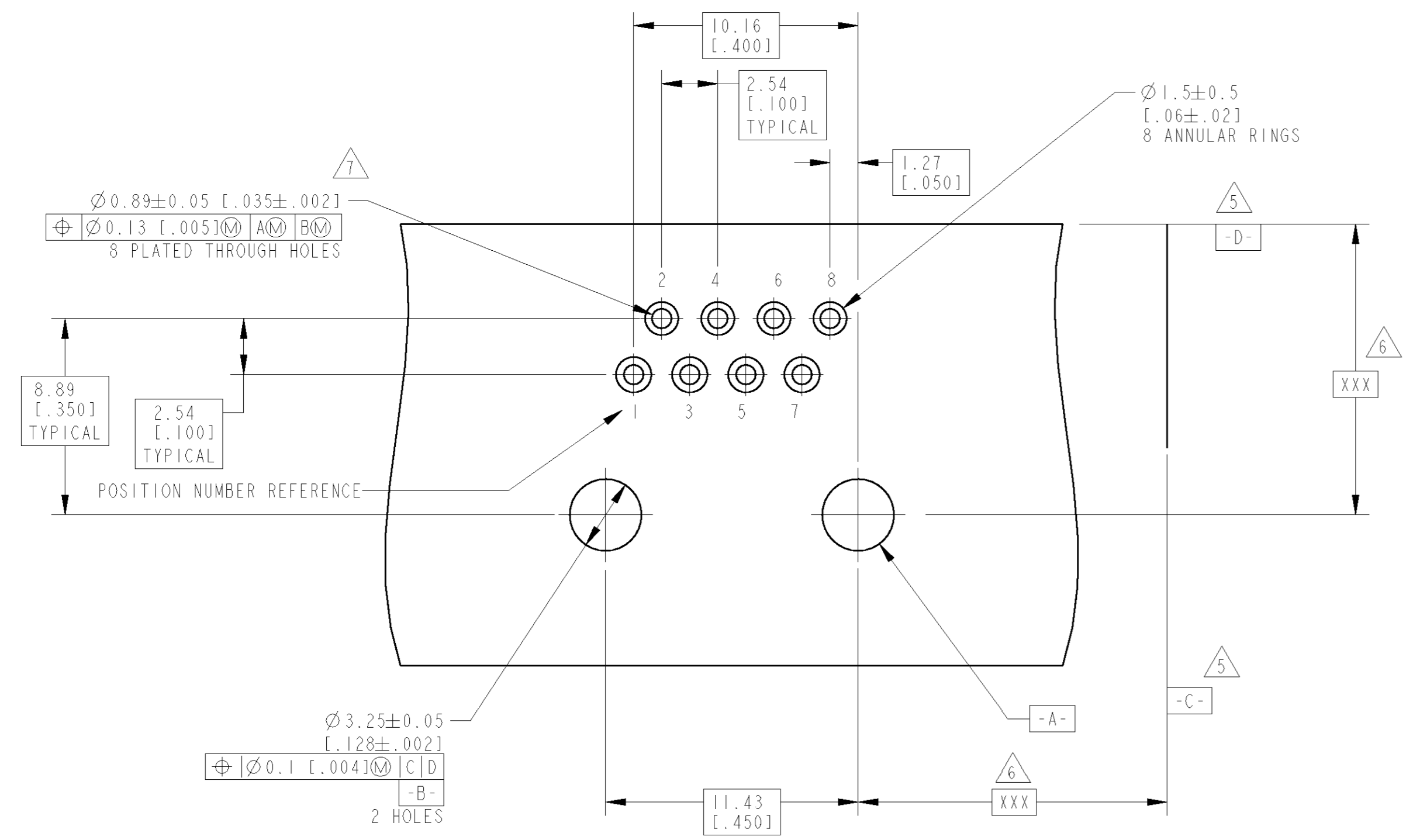
LOC	DIST	REVISIONS					
AA	22	F	LTR	DESCRIPTION	DATE	DWN	APPD
		D		REVISED PER EC 0UF0-0071-01	31MAY2001	JA	LLV
		E		REVISED PER EC 0S11-0019-03	20MAR2003	DD	BK
		F		ADDED: -2 PER EC 0S11-0054-03	20MAR2003	DD	BK



- 1 THERMOPLASTIC, COLOR-BLACK.
- 2 PHOSPHOR BRONZE
- 3 1.27µm [0.00050] MIN GOLD IN LOCALIZED GOLD PLATE AREA, 2µm [0.00079] MIN TIN-LEAD ON TERMINATION END, BOTH OVER 1.27µm [0.00050] MIN NICKEL.
- 4 CAVITY CONFORMS TO FCC 47 CFR 68 PART F.
- 5 DATUMS ESTABLISHED BY CUSTOMER.
- 6 DIMENSIONS ESTABLISHED BY CUSTOMER.
- 7 DRILLED HOLE DIAMETER 1.02±0.03 [0.040.001], COPPER THK 0.03-0.08 [0.001-.003], TIN-LEAD THICKNESS 8µm [0.000315] MIN.
- 8 PC BOARDS GREATER THAN 1.57 [0.062] IN THICKNESS MAY REQUIRE SPECIAL EXTRACTION TOOLING, CONSULT ENGINEERING.



1116201-2 SHOWN
(WITH NO "AMP" LOGO)



RECOMMENDED PRINTED CIRCUIT BOARD LAYOUT
 RECOMMENDED PRINTED CIRCUIT BOARD THICKNESS 1.42 [0.055] MIN
 COMPONENT SIDE OF PRINTED CIRCUIT BOARD

NO "AMP" LOGO	1116201-2
AS SHOWN	1116201-1
DESCRIPTION	PART NUMBER

DIMENSIONS: mm [INCHES] TOLERANCES UNLESS OTHERWISE SPECIFIED: 0 PLC ± 1 PLC ± 2 PLC ±0.13 [0.005] 3 PLC ± 4 PLC ± ANGLES ±		DWN J. AHERON 23APR99 CRW J. VARSIK 04MAY99 APD J. VARSIK 04MAY99 NAME: MODULAR JACK ASSEMBLY, VERTICAL, COMPLIANT PIN, 8 POSITION, CATEGORY 5 PRODUCT SPEC: 108-1163-6 APPLICATION SPEC: 114-2158 WEIGHT: - CUSTOMER DRAWING	
MATERIAL: HOUSING: 1 FINISH: - CONTACT: 2		AMP Incorporated Harrisburg, PA 17105-3608 SIZE: A11 00779 C=1116201 SCALE: 5:1 SHEET 1 OF 1 REV F	

WAS 9T-8309-44-1

X-ON Electronics

Largest Supplier of Electrical and Electronic Components

Click to view similar products for [Modular Connectors / Ethernet Connectors](#) category:

Click to view products by [TE Connectivity](#) manufacturer:

Other Similar products are found below :

[RJE231881317T](#) [MP1010RX-1000](#) [MP44RX-1000](#) [GAX-3-66](#) [GAX-8-62](#) [93606-0253](#) [GD-A-44](#) [GDCX-PA-66-50](#) [GDCX-PN-64](#) [GDCX-PN-66](#) [GDCX-PN-66-50](#) [GDLX-A-66](#) [GDLX-A-88](#) [GDLX-N-66](#) [GDLX-S-66](#) [GDLX-S-88K](#) [GDTX-S-88-50](#) [GDX-PA-1010](#) [GLX-N-1010M-BLK](#) [GLX-S-88M-BLK](#) [GMX-N-1010](#) [GMX-S-1010](#) [GMX-S-66](#) [GMX-SMT2-N-1010](#) [GMX-SMT2-N-64-50](#) [GMX-SMT2-N-88](#) [GMX-SMT2-S6-88](#) [GMX-SMT4-N-88](#) [GPX-2-64](#) [GRT1-BT1-5](#) [GSGX-N-2-88](#) [GSX-NS2-88-3.05](#) [GSX-NS2-88-3.05-50](#) [GSX-NS-88-3.05-30](#) [GSX-NS-88-3.05-50](#) [GSX-NS-88-3.68](#) [1-1775629-2](#) [GWLX-S-88-GR](#) [GWLX-S9-88-YG](#) [1300500326](#) [1300500227](#) [1300530003](#) [1300570002](#) [1324640-4](#) [RJ11FTVC2G](#) [RJ11FTVC2N](#) [RJFTVX2SA1G](#) [132764-001](#) [1400000](#) [1413235](#)