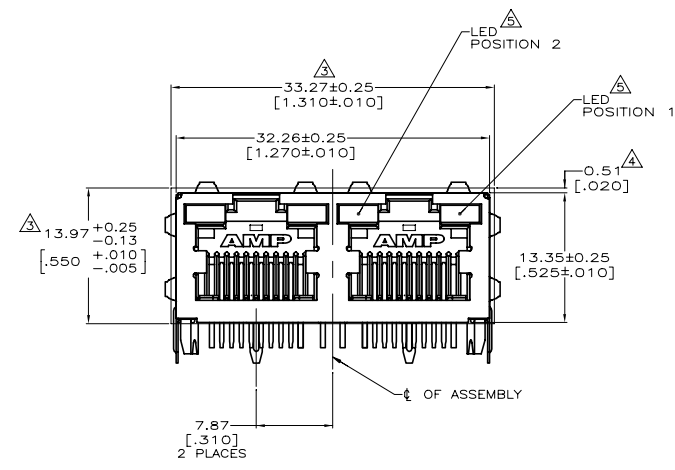
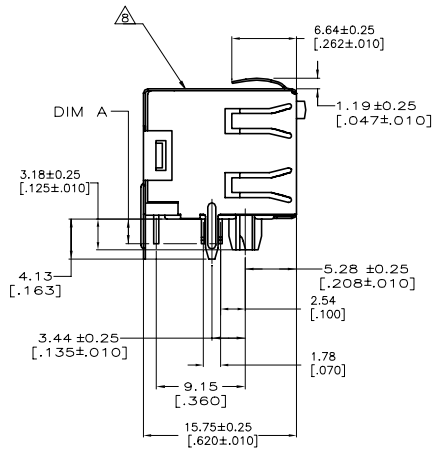
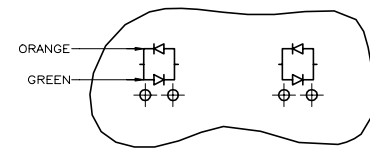


REVISIONS				
REV	DATE	DESCRIPTION	BY	APP'D
G4	29AUG2020	ECO-18-014918	RR	SH

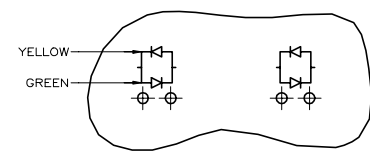


- MATERIAL:  
HOUSING - HIGH TEMPERATURE THERMOPLASTIC,  
COLOR: BLACK, UL94V-0  
TERMINALS - 0.36[.014] THICK PHOS BRONZE  
PLATED WITH 3.81µm[.000150] MIN THICK  
BRIGHT TIN LEAD IN SOLDER AREA - 1.27µm[.000050]  
MIN GOLD IN LOCALIZED PLATE AREA. ENTIRE  
TERMINAL PLATED WITH 1.27µm[.000050] MIN  
THICK NICKEL.  
SHIELD - 0.196[.0077] THICK COPPER ZINC ALLOY  
PREPLATED WITH 1.27µm[.000050] MIN SATIN  
NICKEL WITH 2.03µm[.000080] MIN TIN POST  
DIPPED ON PCB GROUND TABS  
LIGHT EMITTING DIODE (LED) - DIFFUSED EPOXY  
LENS, 0.51 X 0.51[.020 X .020] CARBON STEEL  
WIREFRAME LEADS PLATED WITH 8.89µm[.000350]  
TIN/COPPER OVER 2.03µm[.000080] SILVER OVER  
1.02µm[.000040] NICKEL UNDERPLATE OVER  
2.03µm[.000080] COPPER UNDERPLATE

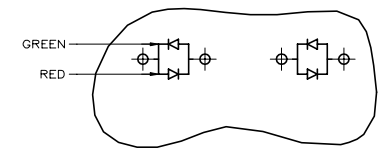
- THIS MODULAR JACK WITH INTEGRATED LED IS NOT  
IR REFLOW SOLDERING PROCESS COMPATIBLE.
- △ SUGGESTED PANEL OPENING DIMENSIONS.  
△ SUGGESTED CLEARANCE BETWEEN TOP OF CONNECTOR  
AND TOP PANEL OPENING.  
△ SEE TABLE FOR COLOR OF LEDS AND NUMBER  
REQUIRED.  
△ OBSOLETE PARTS: OBSOLETE CIS STREAMLINING PER D.RENAUD/D.SINISI  
△ MANUFACTURING DATE CODE:  
LOCATED APPROX. AS SHOWN.  
FIRST 2 DIGITS= LAST 2 DIGITS OF YEAR.  
NEXT 2 DIGITS= MANUFACTURING WORK WEEK.  
LAST DIGIT= DAY OF WEEK WITH SUNDAY=1.



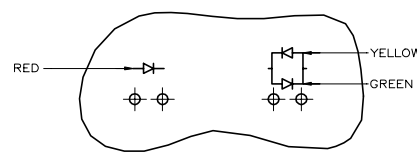
LED CURRENT DIAGRAM  
1116353-7 ONLY  
**OBSOLETE**



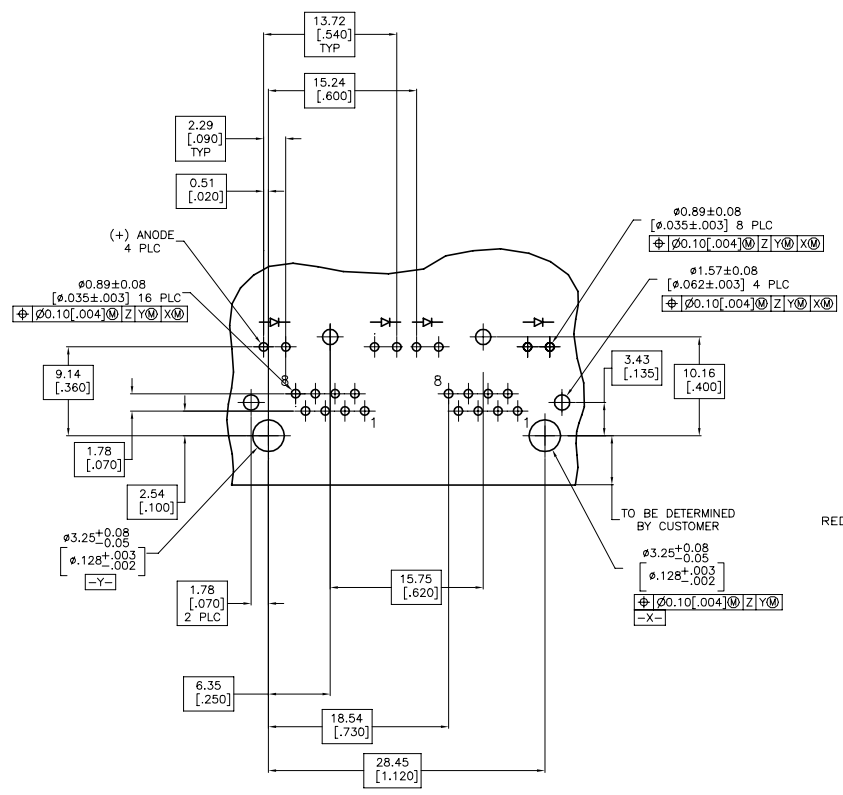
LED CURRENT DIAGRAM  
1116353-8 ONLY



LED CURRENT DIAGRAM  
1-1116353-3 ONLY  
**SUPERSEDED  
BY 1-6116353-3**



LED CURRENT DIAGRAM  
2-1116353-3 ONLY  
**SUPERSEDED**



RECOMMENDED PRINTED CIRCUIT BOARD LAYOUT  
(COMPONENT SIDE)

INDICATOR COLOR FOR EACH HOUSING	POSITION 2	POSITION 1	PART NUMBER
YELLOW/GREEN	YELLOW	GREEN	2-4116353-8
GREEN	GREEN	GREEN	2-1116353-4
<b>SUPERSEDED</b>	RED	YELLOW/GREEN	2-1116353-3
<b>SUPERSEDED BY 1-6116353-3</b>	RED/GREEN	RED/GREEN	1-1116353-3
<b>OBSOLETE</b>	YELLOW/GREEN	YELLOW/GREEN	1116353-8
<b>OBSOLETE</b>	ORANGE/GREEN	ORANGE/GREEN	1116353-7
<b>OBSOLETE</b>	YELLOW	YELLOW	1116353-6
<b>OBSOLETE</b>	GREEN	GREEN	1116353-5
<b>OBSOLETE</b>	GREEN	YELLOW	1116353-4
<b>OBSOLETE</b>	YELLOW	-	1116353-3
<b>SUPERSEDED BY 6116353-2</b>	-	GREEN	1116353-2
<b>OBSOLETE</b>	YELLOW	GREEN	1116353-1

SOLDERTAIL LENGTH, DIM A

THIS DRAWING IS A CONTROLLED DOCUMENT.

DATE: 08/29/2020  
DRAWN: JLD/LMAYER  
CHK: WESTMAN

TE Connectivity

INVERTED MODULAR JACK ASSEMBLY,  
1X2, SHIELDED, PANEL GROUNDS WITH LEADS

114-2154

1116353

SCALE: 4:1

## X-ON Electronics

Largest Supplier of Electrical and Electronic Components

*Click to view similar products for [Modular Connectors / Ethernet Connectors](#) category:*

*Click to view products by [TE Connectivity](#) manufacturer:*

Other Similar products are found below :

[RJE231881317T](#) [MP1010RX-1000](#) [MP44RX-1000](#) [GAX-3-66](#) [GAX-8-62](#) [93606-0253](#) [GD-A-44](#) [GDCX-PA-66-50](#) [GDCX-PN-64](#) [GDCX-PN-66](#) [GDCX-PN-66-50](#) [GDLX-A-66](#) [GDLX-A-88](#) [GDLX-N-66](#) [GDLX-S-66](#) [GDLX-S-88K](#) [GDTX-S-88-50](#) [GDX-PA-1010](#) [GLX-N-1010M-BLK](#) [GLX-S-88M-BLK](#) [GMX-N-1010](#) [GMX-S-1010](#) [GMX-S-66](#) [GMX-SMT2-N-1010](#) [GMX-SMT2-N-64-50](#) [GMX-SMT2-N-88](#) [GMX-SMT2-S6-88](#) [GMX-SMT4-N-88](#) [GPX-2-64](#) [GRT1-BT1-5](#) [GSGX-N-2-88](#) [GSX-NS2-88-3.05](#) [GSX-NS2-88-3.05-50](#) [GSX-NS-88-3.05-30](#) [GSX-NS-88-3.05-50](#) [GSX-NS-88-3.68](#) [1-1775629-2](#) [GWLX-S-88-GR](#) [GWLX-S9-88-YG](#) [1300500326](#) [1300500227](#) [1300530003](#) [1300570002](#) [1324640-4](#) [RJ11FTVC2G](#) [RJ11FTVC2N](#) [RJFTVX2SA1G](#) [132764-001](#) [1400000](#) [1413235](#)