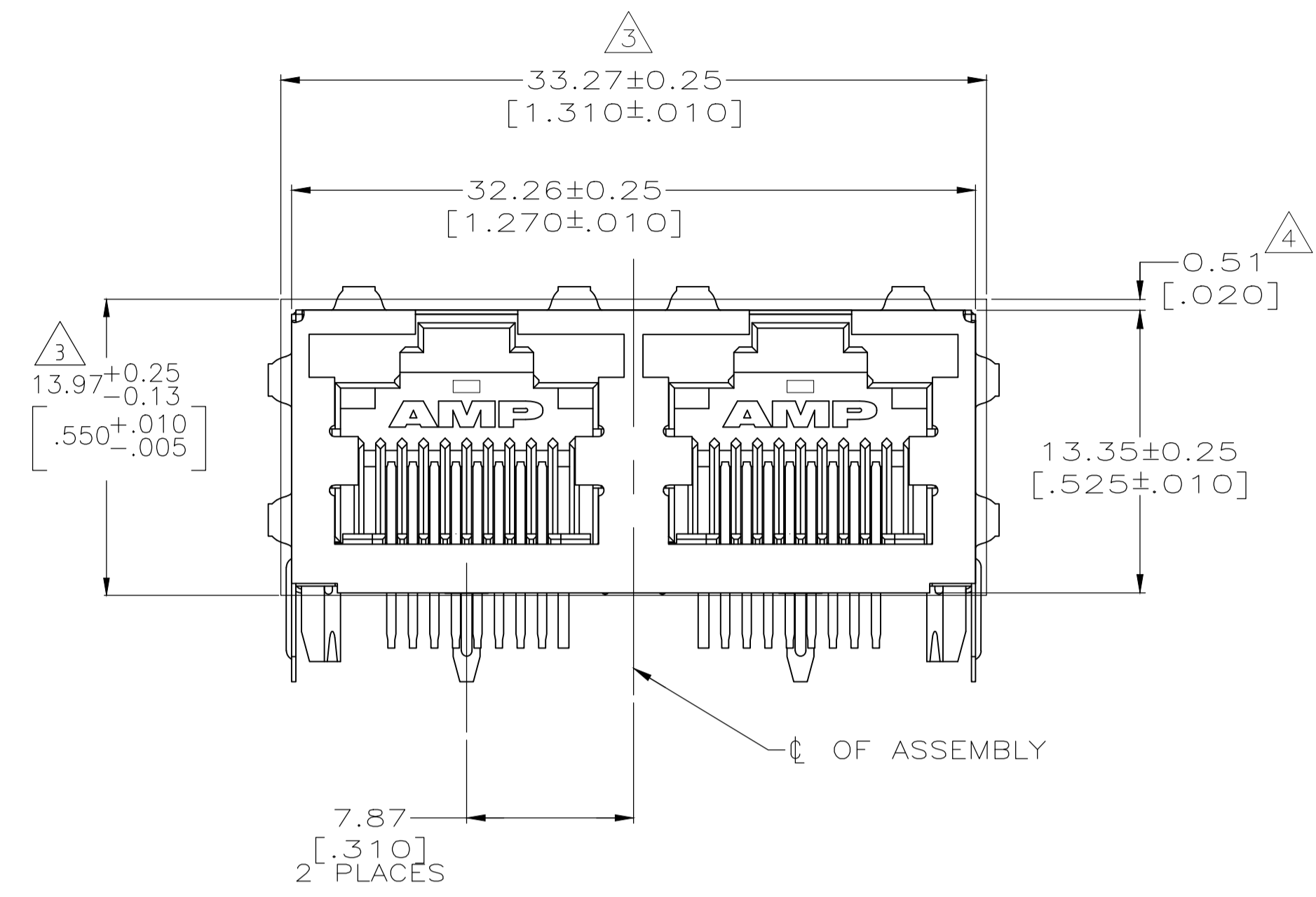
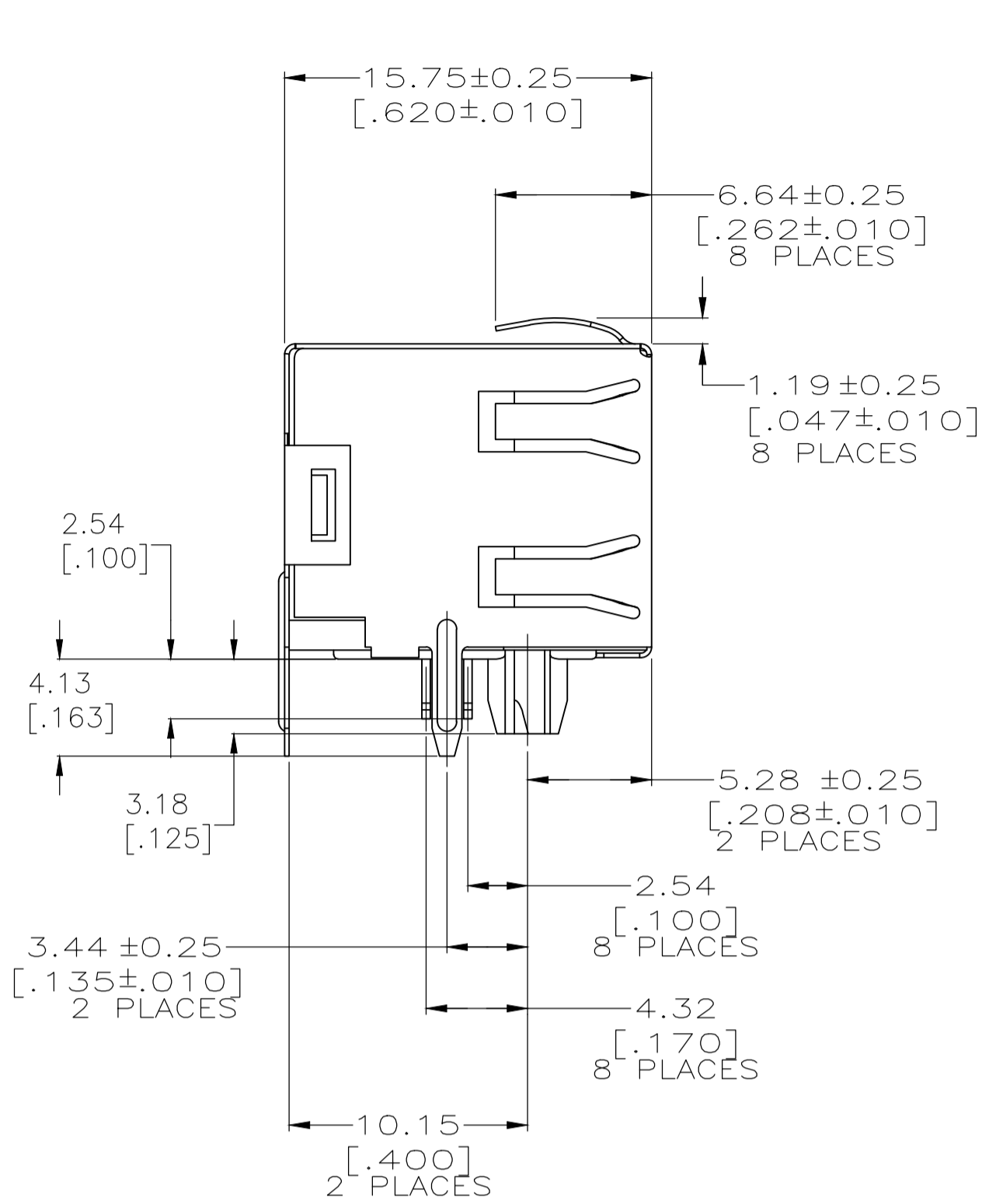
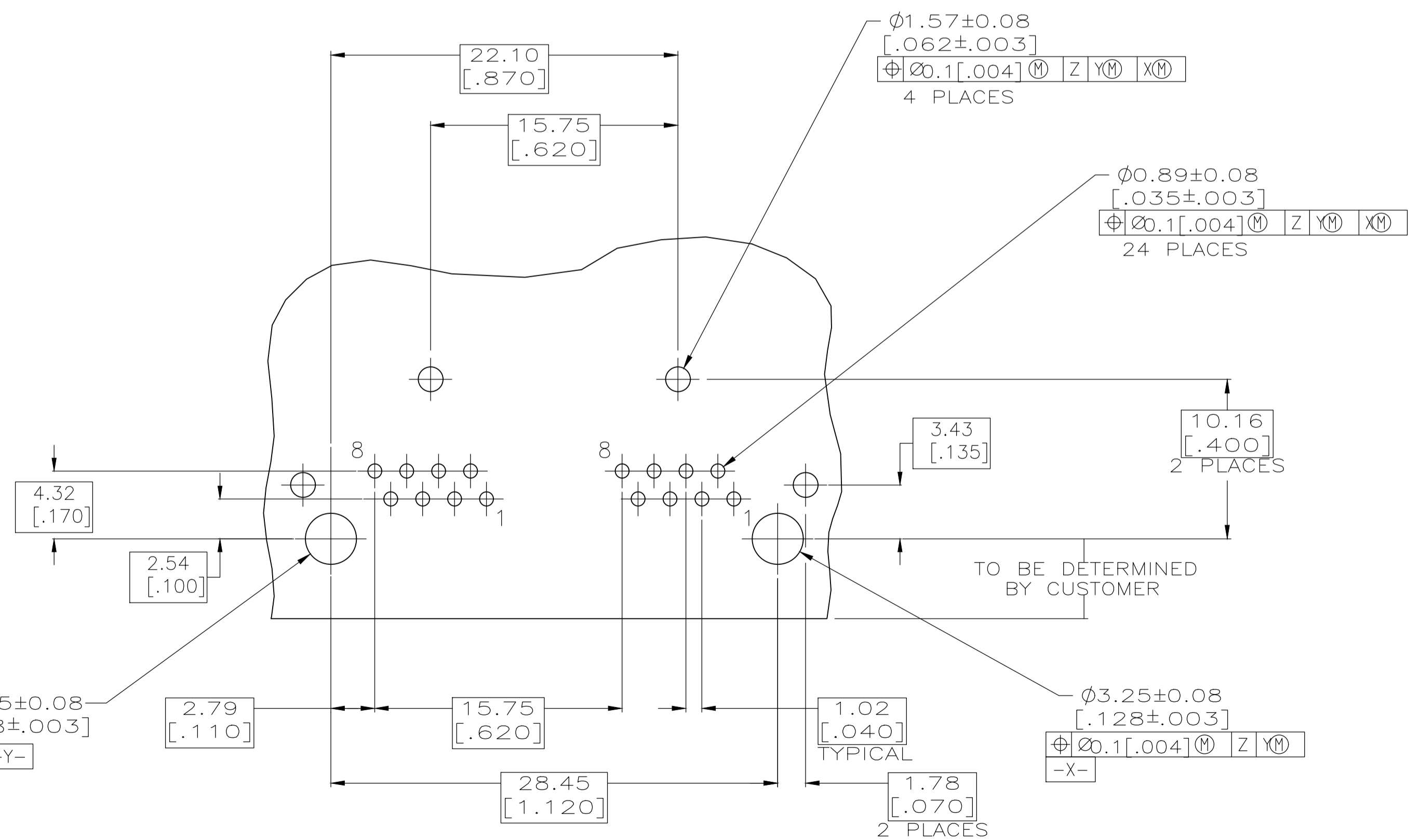


REVISIONS					
P	LTR	DESCRIPTION	DATE	DWN	APVD
C		ECC-18-014918	20AUG2019	RR	SH



- MATERIAL: HOUSING - HIGH TEMPERATURE THERMOPLASTIC, COLOR: BLACK, UL94V-0
 TERMINALS - 0.36[.014] THICK PHOS BRONZE PLATED WITH 3.81μm[.000150] MINIMUM THICK BRIGHT TIN LEAD IN SOLDER AREA. 1.27μm [.000050] MINIMUM GOLD IN LOCALIZED PLATE AREA. ENTIRE TERMINAL PLATED WITH 1.27μm [.000050] MINIMUM THICK NICKEL.
 SHIELD - 0.196[.0077] THICK COPPER ZINC ALLOY PREPLATED WITH 1.27μm[.000050] MINIMUM SATIN NICKEL WITH 2.03μm[.000080] MINIMUM TIN POST DIPPED ON PCB GROUND TABS.
 - JACK CAVITY CONFORMS TO FCC RULES AND REGULATIONS PART 68, SUBPART F.
- △ SUGGESTED PANEL OPENING DIMENSIONS.
 △ SUGGESTED CLEARANCE BETWEEN TOP OF CONNECTOR AND TOP PANEL OPENING.



SUGGESTED PRINTED CIRCUIT BOARD LAYOUT
 (COMPONENT SIDE)

OBSOLETED 1116522-1
 PART NUMBER

THIS DRAWING IS A CONTROLLED DOCUMENT.		DIN DL DRUMMOND 02-FEB-99	TE Connectivity	
DIMENSIONS: mm [INCHES]		DL DRUMMOND 04-FEB-99	INVERTED MODULAR JACK ASSEMBLY, 1X2, SHIELDED, PANEL GROUND	
TOLERANCES UNLESS OTHERWISE SPECIFIED:		EC LAURER 05-FEB-99	108-1163-4	
0 PLC ± -		NAME	APPLICATION SPEC	
1 PLC ± -		PRODUCT SPEC	114-2154	
2 PLC ± 0.25[.01]		SIZE	CAGE CODE	DRAWING NO
3 PLC ± 0.13[.005]		WEIGHT	000779	1116522
4 PLC ± -		CUSTOMER DRAWING	SCALE 4:1 SHEET 1 OF 1 REV C	
ANGLES ± -				

X-ON Electronics

Largest Supplier of Electrical and Electronic Components

Click to view similar products for [Modular Connectors / Ethernet Connectors](#) category:

Click to view products by [TE Connectivity](#) manufacturer:

Other Similar products are found below :

[RJE231881317T](#) [MP1010RX-1000](#) [MP44RX-1000](#) [GAX-3-66](#) [GAX-8-62](#) [93606-0253](#) [GD-A-44](#) [GDCX-PA-66-50](#) [GDCX-PN-64](#) [GDCX-PN-66](#) [GDCX-PN-66-50](#) [GDLX-A-66](#) [GDLX-A-88](#) [GDLX-N-66](#) [GDLX-S-66](#) [GDLX-S-88K](#) [GDTX-S-88-50](#) [GDX-PA-1010](#) [GLX-N-1010M-BLK](#) [GLX-S-88M-BLK](#) [GMX-N-1010](#) [GMX-S-1010](#) [GMX-S-66](#) [GMX-SMT2-N-1010](#) [GMX-SMT2-N-64-50](#) [GMX-SMT2-N-88](#) [GMX-SMT2-S6-88](#) [GMX-SMT4-N-88](#) [GPX-2-64](#) [GRT1-BT1-5](#) [GSGX-N-2-88](#) [GSX-NS2-88-3.05](#) [GSX-NS2-88-3.05-50](#) [GSX-NS-88-3.05-30](#) [GSX-NS-88-3.05-50](#) [GSX-NS-88-3.68](#) [1-1775629-2](#) [GWLX-S-88-GR](#) [GWLX-S9-88-YG](#) [1300500326](#) [1300500227](#) [1300530003](#) [1300570002](#) [1324640-4](#) [RJ11FTVC2G](#) [RJ11FTVC2N](#) [RJFTVX2SA1G](#) [132764-001](#) [1400000](#) [1413235](#)