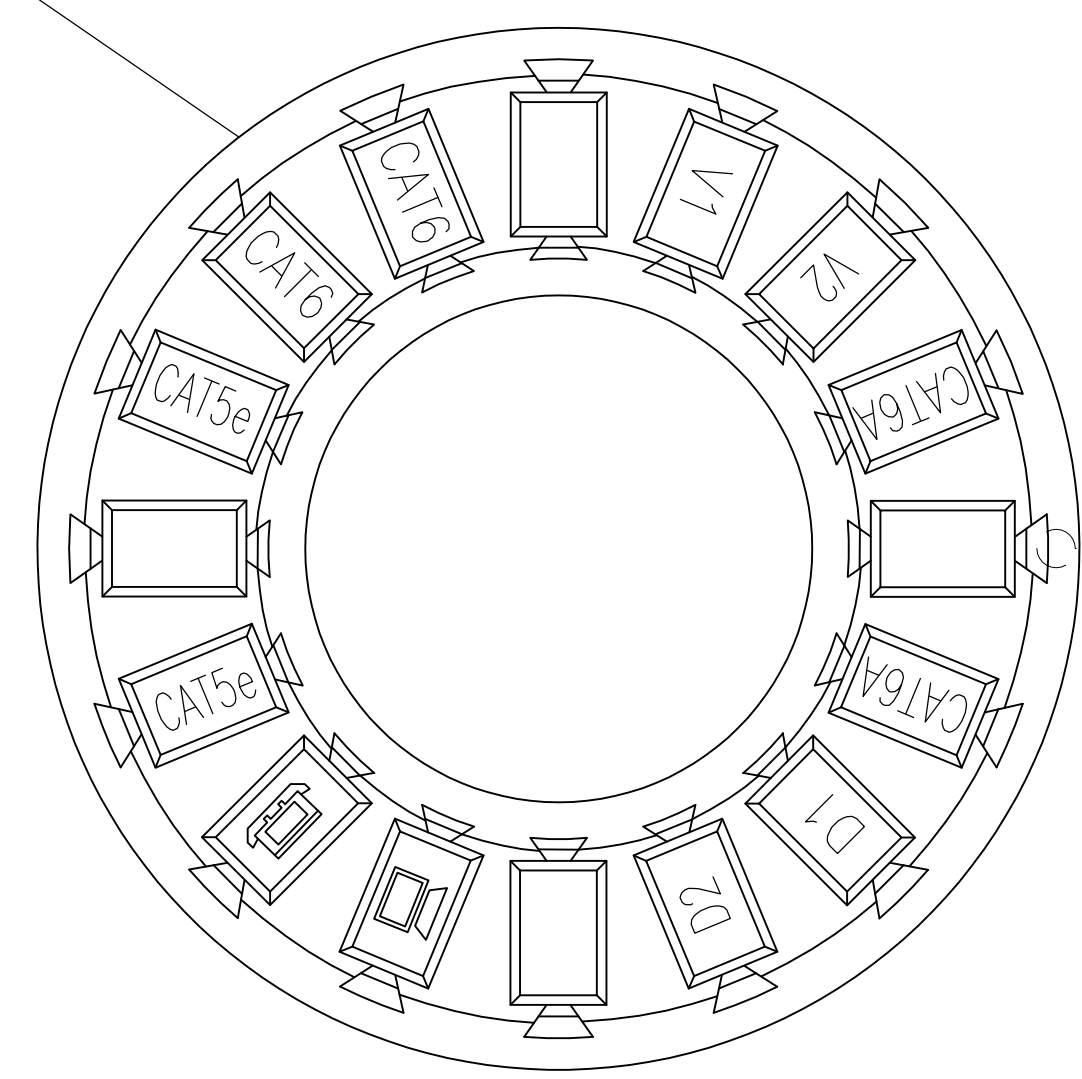
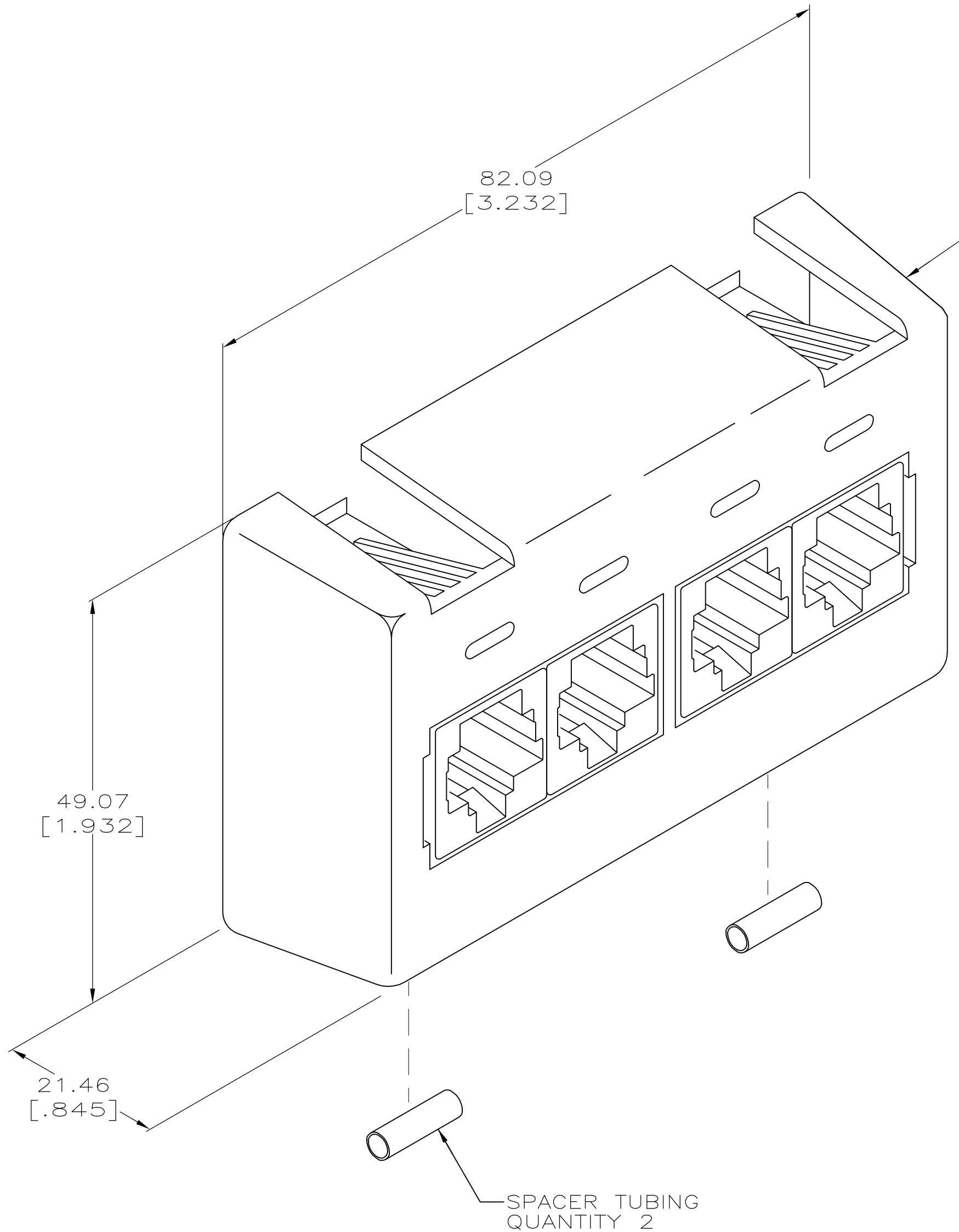


LOC		DIST		REVISIONS			
HM	00	REV	DESCRIPTION	DATE	DMN	APVD	
A		REV ECO-05-013206		23NOV05	LH	GB	
B		REV ECO-09-024123		02NDV09	LH	RA	
C		REV ECO-10-011451		01JUN2010	LH	RA	

ICON WHEEL,  
VOICE, DATA,  
CATEGORY  
QUANTITY 1

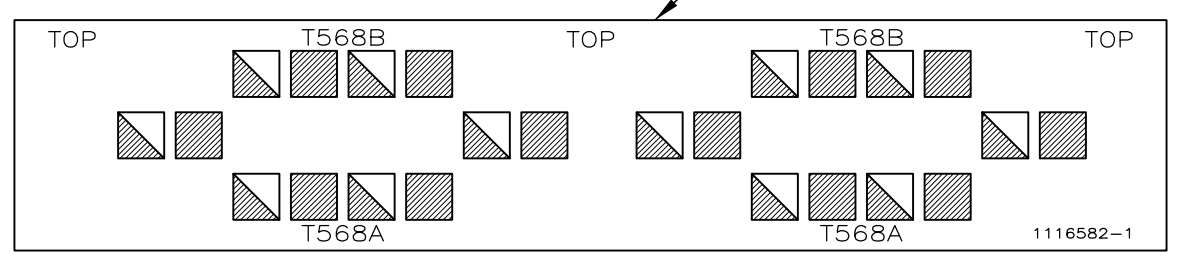


FACEPLATE ASSEMBLY

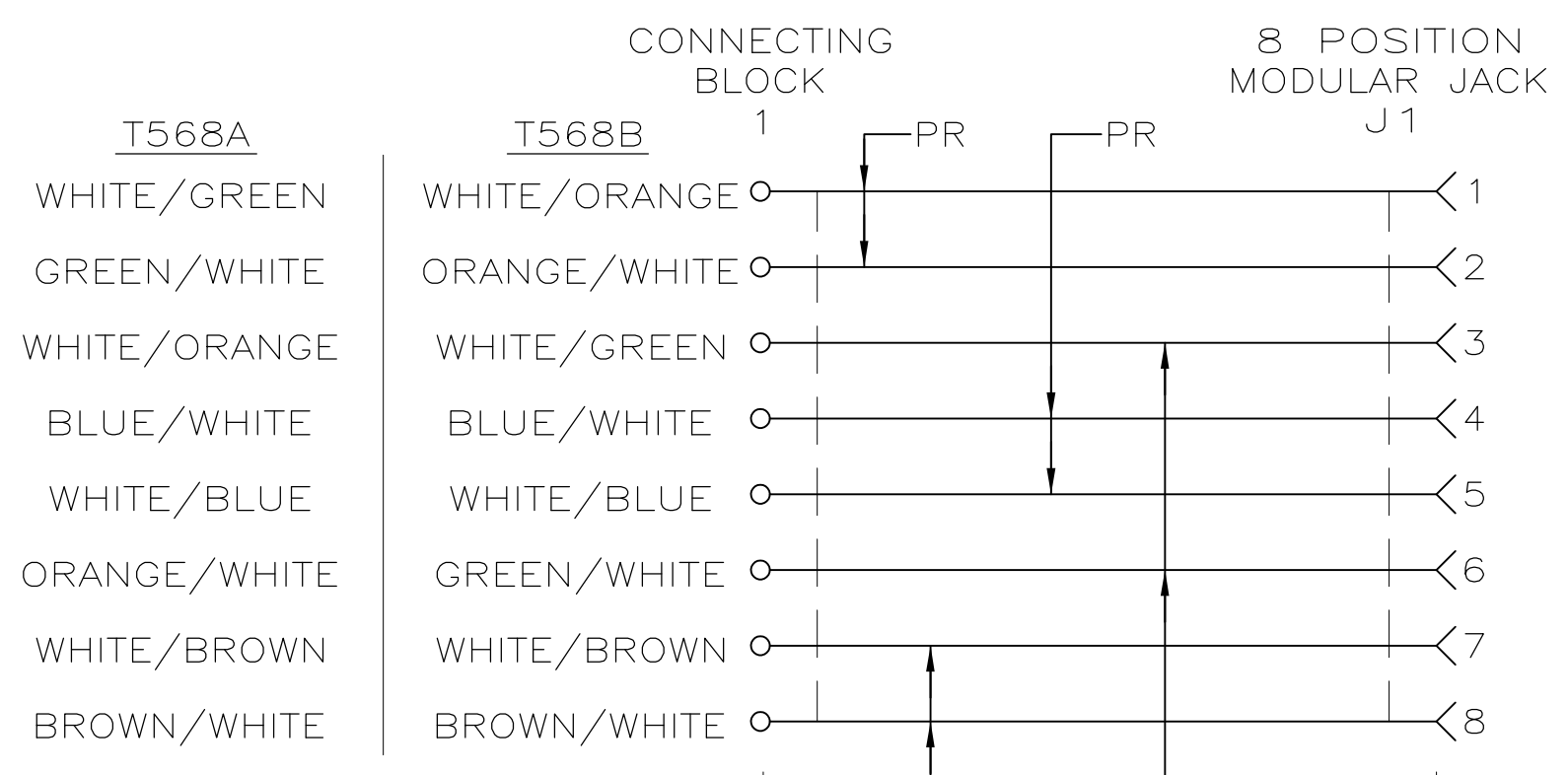


SPACER TUBING  
QUANTITY 2

UNIVERSAL WIRING  
LABEL

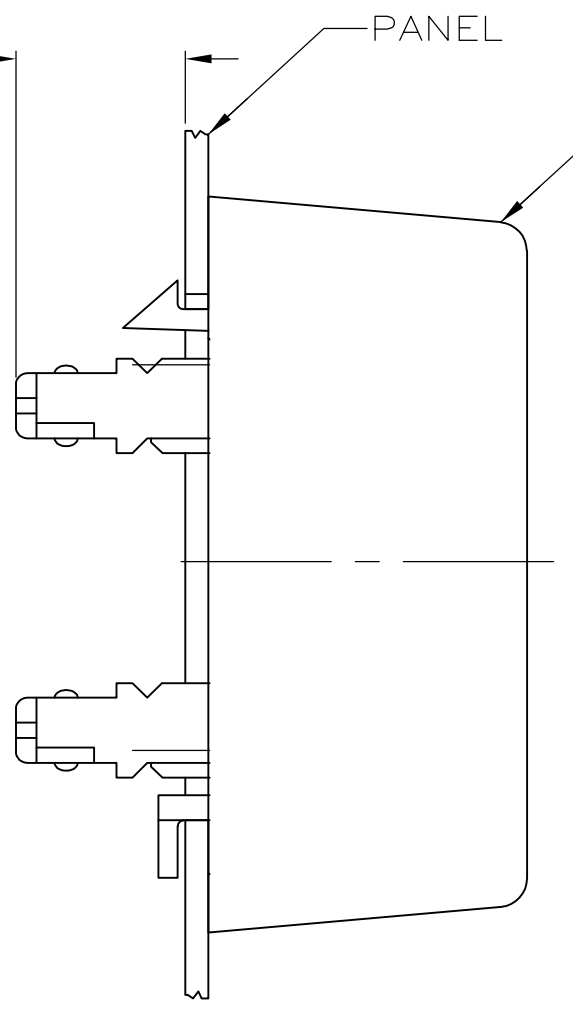


- 1. MATERIAL: FACEPLATE- POLYCARBONATE MOLDING COMPOUND, SEE TABLE FOR COLORS. ICON- ABS MOLDING COMPOUND, BLACK. SPACER TUBE- POLYOLEFIN, BLACK.
- 2. DIMENSIONS ARE MAXIMUM UNLESS OTHERWISE SPECIFIED.
- 3. THE FACEPLATE CAN BE INSTALLED INTO 2.03 [.080] TO 1.14 [.045] THICK PANELS.
- 4. THIS KIT SHIPPED UNASSEMBLED.

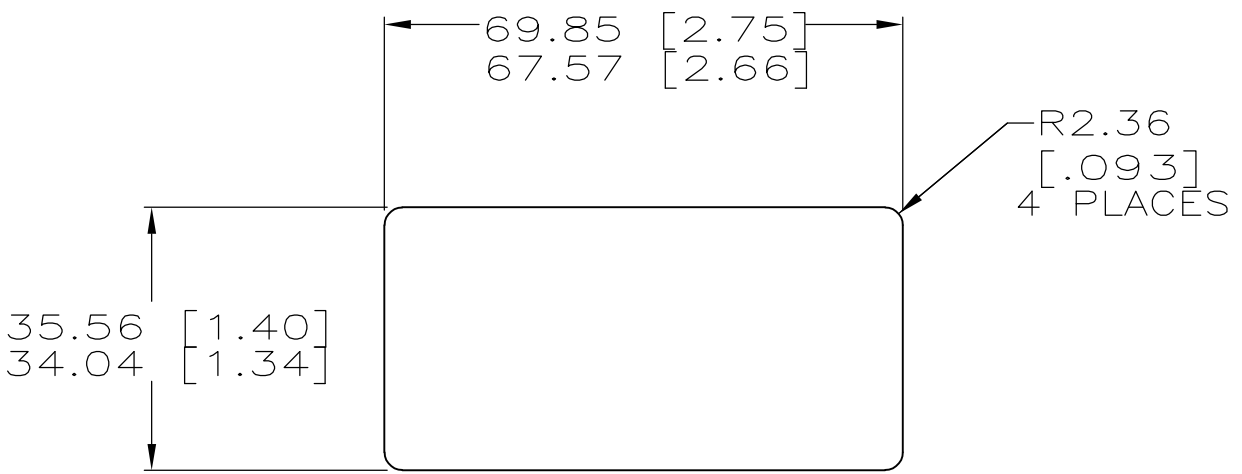


ELECTRICAL SCHEMATIC  
FOR T568A OR T568B  
WIRING PATTERN

11.18 [.44]  
PANEL  
FACEPLATE



SUGGESTED MOUNTING



RECOMMENDED PANEL CUTOUT

NEMA GRAY	1116580-4
LIGHT ALMOND	1116580-2
BLACK	1116580-1
COLOR	PART NO.

THIS DRAWING IS A CONTROLLED DOCUMENT.

DIMENSIONS: mm [INCHES]	TOLERANCES UNLESS OTHERWISE SPECIFIED:	DWG G. GARRETT 13AUG99	CHK G. ROWMAN 13AUG99	APVD G. ROWMAN 13AUG99	NAME FACEPLATE KIT, RJ45, 110 CONNECT, CAT 5e, FLEXMODE
0. PLC ± .15	1. PLC ± .15	APPLN SPEC 408-4549	SIZE A1	CAGE CODE 00779	DRAWING NO. 1116580
1. PLC ± .15	2. PLC ± .15	WEIGHT	RESTRICTED TO	SCALE 2:1	SHEET 1 of 1
2. PLC ± .15	3. PLC ± .15	CUSTOMER DRAWING	REV C		
3. PLC ± .15	4. PLC ± .15				
4. PLC ± .15	ANGLES ± .5				

THIS DRAWING IS UNPUBLISHED. RELEASED FOR PUBLICATION  
 COPYRIGHT BY TYCO ELECTRONICS CORPORATION. ALL RIGHTS RESERVED.

## X-ON Electronics

Largest Supplier of Electrical and Electronic Components

*Click to view similar products for [Wire Ducting & Raceways](#) category:*

*Click to view products by [TE Connectivity](#) manufacturer:*

Other Similar products are found below :

[800A-LB](#) [801I-LSP](#) [802A-ECSP](#) [802I-ICSP](#) [923223-000](#) [PRAF6WH-X](#) [A0405538](#) [1301150342](#) [1301160034](#) [1301170070](#) [1301180011](#)  
[1301230083](#) [1301230153](#) [1301240273](#) [1301250006](#) [1302261238](#) [1302261321](#) [1302262552](#) [1302263103](#) [1302263178](#) [1302263259](#)  
[1302263816](#) [1302263860](#) [1302264375](#) [1302264390](#) [1301150343](#) [1301160030](#) [1301170050](#) [1301170051](#) [1301170061](#) [1301180013](#)  
[1301230086](#) [1301230130](#) [1301240054](#) [1302260055](#) [1302260376](#) [1302261343](#) [1302261344](#) [1302262674](#) [1302263095](#) [1302263166](#)  
[1302263209](#) [1302263513](#) [1302263851](#) [1302263870](#) [1302264137](#) [1302264218](#) [DD1/J](#) [AX102007](#) [AX102411](#)