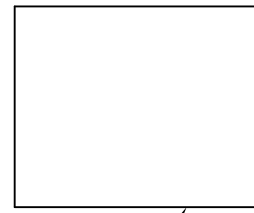
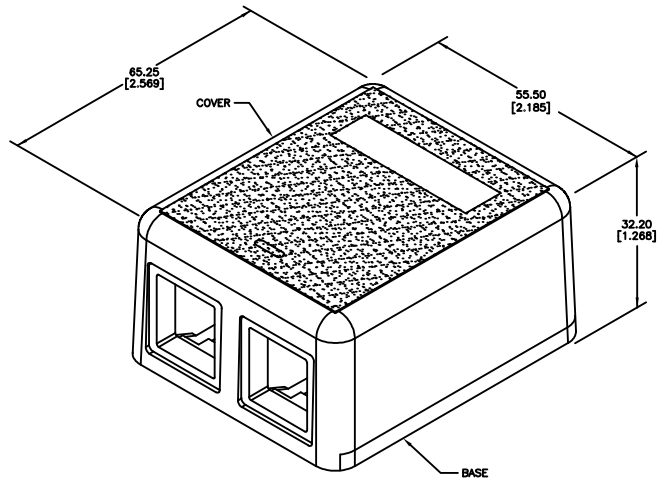


THIS DRAWING IS UNPUBLISHED. RELEASED FOR PUBLICATION
 © 2016 CommScope, INC. Confidential. THESE DRAWINGS AND SPECIFICATIONS ARE THE PROPERTY OF COMMSCOPE, INC. and may be used only for the specific purpose authorized in writing by COMMSCOPE, INC.

REVISIONS				
P	LR	DESCRIPTION	DATE	DRW / PWD
D		40052269CM0	08DEC2017	LS / CC

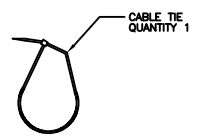
- △ MATERIAL: BASE AND COVER - ABS MOLDING COMPOUND UL94V-0. SEE TABLE FOR COLOR.
 CABLE TIE - NYLON
 SCREWS - ZINC PLATED CARBON STEEL.
- PACKAGED 1 KIT PER POLYBAG.
 - ALL DIMENSIONS SHOWN ARE MAXIMUM.



DOUBLE SIDED FOAM TAPE
 QUANTITY 1



COMBINATION HEAD SCREW
 SELF TAPPING 6 X 20mm
 QUANTITY 2



CABLE TIE
 QUANTITY 1

SUPERSEDED BY 1116698-1	ALPINE WHITE	1-1116698-3
SUPERSEDED BY 1116698-1	ELECTRIC IVORY	1-1116698-1
SUPERSEDED BY 1116698-1	NEMA GRAY	1116698-4
SUPERSEDED BY 1116698-1	BLACK	1116698-2
	LIGHT ALMOND	1116698-1
	COLOR	PART NUMBER

THIS DRAWING IS A CONTROLLED DOCUMENT.

DRW: G. GARRETT 17AUG09	CHK: G. BOWMAN 17AUG09	NAME: G. BOWMAN 17AUG09																																				
COMMSCOPE, INC.																																						
KIT, DUAL PORT MODULAR JACK BOX																																						
<table border="1"> <tr> <th>DIMENSIONS:</th> <th>TOLERANCES UNLESS OTHERWISE SPECIFIED:</th> </tr> <tr> <td>mm [INCHES]</td> <td></td> </tr> <tr> <td>0 PLC</td> <td>± -</td> </tr> <tr> <td>1 PLC</td> <td>± -</td> </tr> <tr> <td>2 PLC</td> <td>± -</td> </tr> <tr> <td>3 PLC</td> <td>± -</td> </tr> <tr> <td>4 PLC</td> <td>± -</td> </tr> <tr> <td>ANGLES:</td> <td>± -</td> </tr> <tr> <td>FINISH:</td> <td>-</td> </tr> </table>	DIMENSIONS:	TOLERANCES UNLESS OTHERWISE SPECIFIED:	mm [INCHES]		0 PLC	± -	1 PLC	± -	2 PLC	± -	3 PLC	± -	4 PLC	± -	ANGLES:	± -	FINISH:	-	<table border="1"> <tr> <td>PRODUCT SPEC</td> <td>-</td> </tr> <tr> <td>APPLICATION SPEC</td> <td>-</td> </tr> <tr> <td>WEIGHT</td> <td>-</td> </tr> </table>	PRODUCT SPEC	-	APPLICATION SPEC	-	WEIGHT	-	<table border="1"> <tr> <td>SIZE</td> <td>A2</td> <td>CAGE CODE</td> <td>00779</td> <td>DRAWING NO</td> <td>1116698</td> </tr> <tr> <td>CUSTOMER DRAWING</td> <td></td> <td>SCALE</td> <td>2:1</td> <td>SHEET</td> <td>1 of 1</td> </tr> </table>	SIZE	A2	CAGE CODE	00779	DRAWING NO	1116698	CUSTOMER DRAWING		SCALE	2:1	SHEET	1 of 1
DIMENSIONS:	TOLERANCES UNLESS OTHERWISE SPECIFIED:																																					
mm [INCHES]																																						
0 PLC	± -																																					
1 PLC	± -																																					
2 PLC	± -																																					
3 PLC	± -																																					
4 PLC	± -																																					
ANGLES:	± -																																					
FINISH:	-																																					
PRODUCT SPEC	-																																					
APPLICATION SPEC	-																																					
WEIGHT	-																																					
SIZE	A2	CAGE CODE	00779	DRAWING NO	1116698																																	
CUSTOMER DRAWING		SCALE	2:1	SHEET	1 of 1																																	
RESTRICTED TO		REV D																																				

1116698

X-ON Electronics

Largest Supplier of Electrical and Electronic Components

Click to view similar products for [Wire Ducting & Raceways](#) category:

Click to view products by [TE Connectivity](#) manufacturer:

Other Similar products are found below :

[800A-LB](#) [801I-LSP](#) [802A-ECSP](#) [802I-ICSP](#) [923223-000](#) [PRAF6WH-X](#) [A0405538](#) [1301150342](#) [1301160034](#) [1301170070](#) [1301180011](#)
[1301230083](#) [1301230153](#) [1301240273](#) [1301250006](#) [1302261238](#) [1302261321](#) [1302262552](#) [1302263103](#) [1302263178](#) [1302263259](#)
[1302263816](#) [1302263860](#) [1302264375](#) [1302264390](#) [1301150343](#) [1301160030](#) [1301170050](#) [1301170051](#) [1301170061](#) [1301180013](#)
[1301230086](#) [1301230130](#) [1301240054](#) [1302260055](#) [1302260376](#) [1302261343](#) [1302261344](#) [1302262674](#) [1302263095](#) [1302263166](#)
[1302263209](#) [1302263513](#) [1302263851](#) [1302263870](#) [1302264137](#) [1302264218](#) [DD1/J](#) [AX102007](#) [AX102411](#)