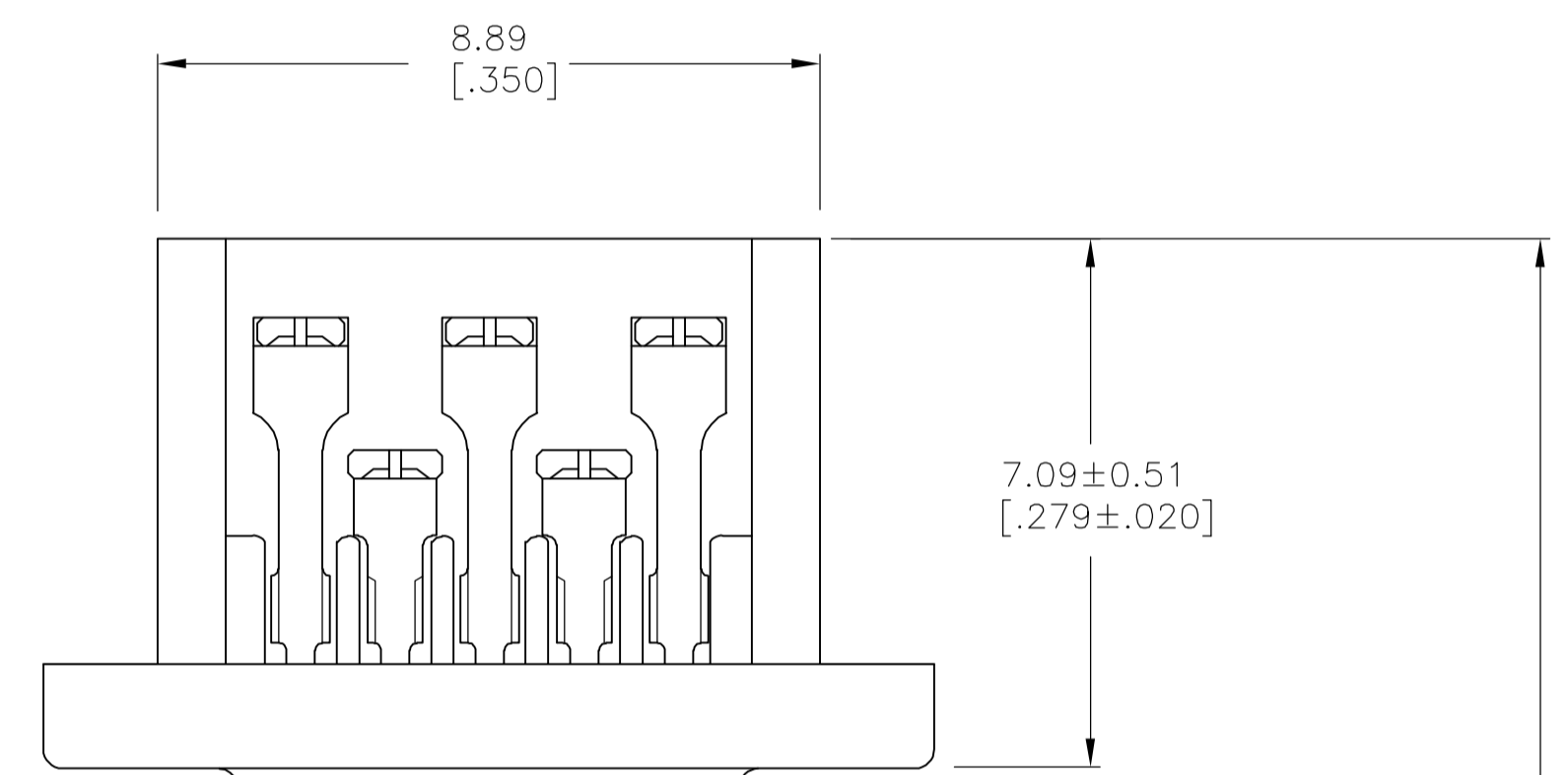


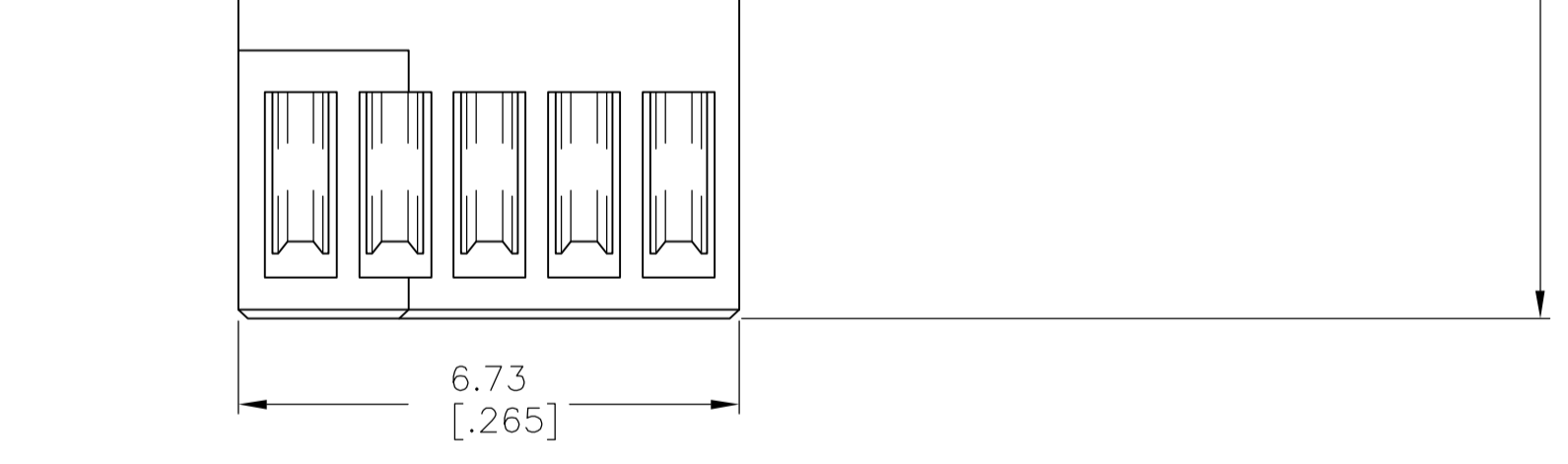
11.99  
[.472]



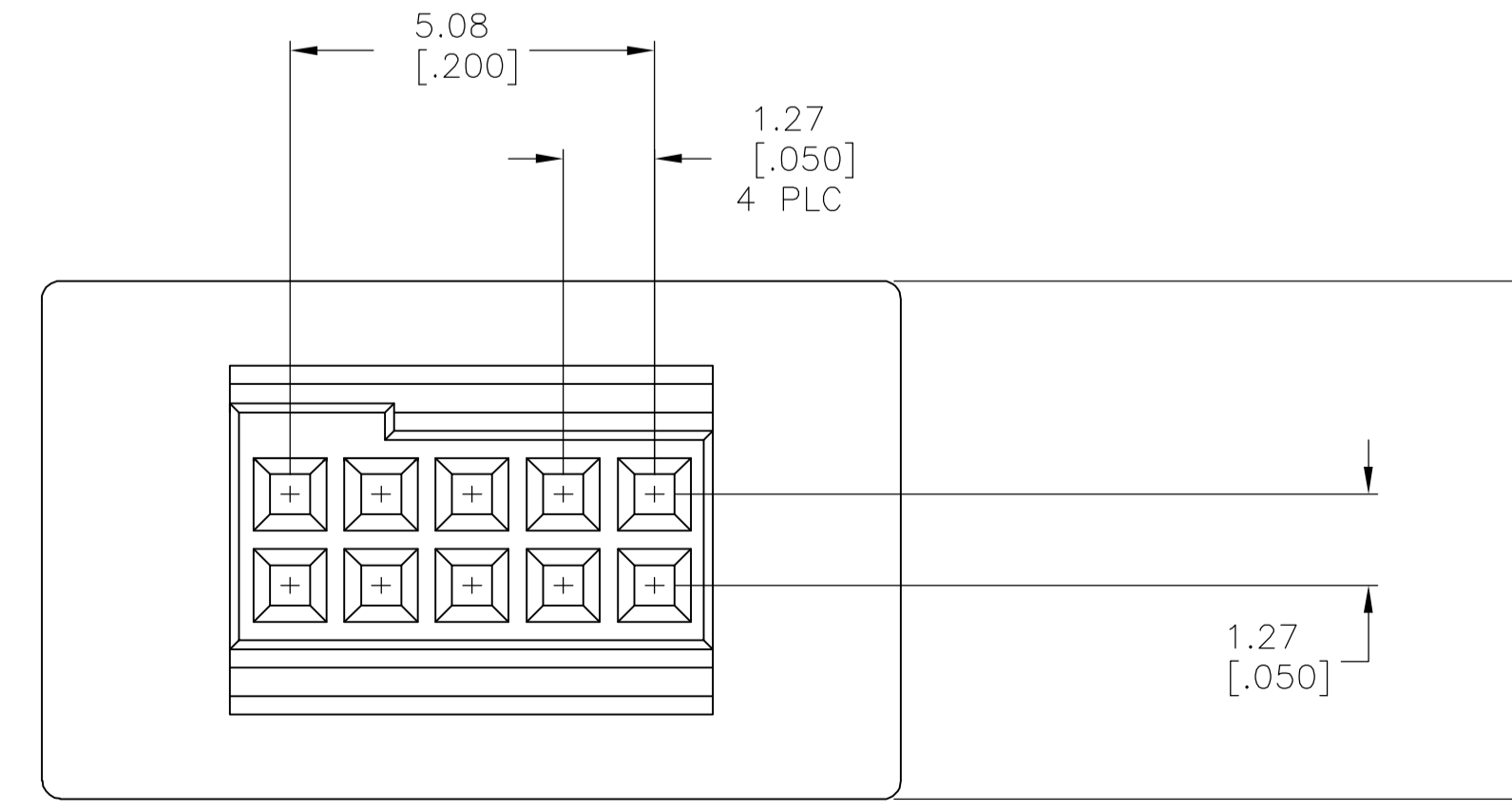
8.89  
[.350]

7.09±0.51  
[.279±.020]

15.94±0.25  
[.627±.010]



6.73  
[.265]



5.08  
[.200]

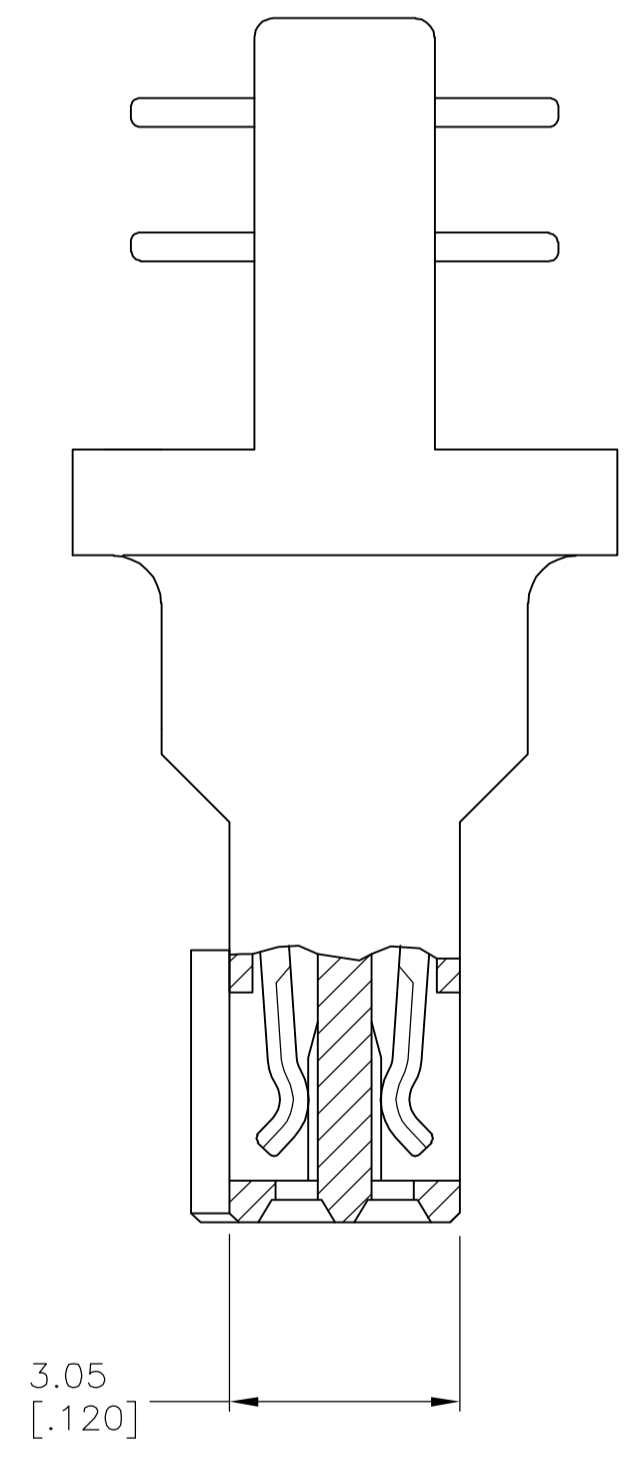
1.27  
[.050]

4 PLC

7.21  
[.284]

1.27  
[.050]

- 1 MATERIAL:  
 RECEPTACLE CONTACTS- PHOSPHOR BRONZE  
 RECEPTACLE HOUSING: LCP; BLACK  
 TERMINATING COVERS: NONE, 5
- 2 PLATING:  
 RECEPTACLE CONTACTS- 0.00076 [.000030] MINIMUM GOLD PLATE IN CONTACT AREA,  
 0.00127 [.000050] MINIMUM BRIGHT TIN-LEAD PLATE IN TERMINATION AREA,  
 ALL OVER 0.00127 [.000050] MINIMUM NICKEL.
- 3. RECOMMENDED WIRE:  
 28 AWG- 0.91 [.036] MAX O.D. PVC OR POLYETHYLENE INSULATION.
- 4. SHORT-LONG CONTACT SEQUENCE MUST ALTERNATE BUT MAY BEGIN WITH EITHER  
 A SHORT OR LONG CONTACT.
- 5 THIS CONNECTOR ASSEMBLY WAS ORIGINALLY DESIGNED TO BE USED WITH AN APPROPRIATE TERMINATING  
 COVER, WHICH WAS DESIGNED TO PROPERLY POSITION THE CABLE ON THE INSULATION DISPLACEMENT  
 CONTACTS PRIOR TO AND DURING TERMINATION. BECAUSE CUSTOMER DOES NOT INTEND TO USE SUCH COVER,  
 CUSTOMER MUST PROVIDE ADEQUATE ALTERNATIVE MEANS TO PROPERLY POSITION THE CABLE PRIOR TO AND  
 DURING TERMINATION.
- 6 PLATING: RECEPTACLE CONTACTS-0.00076 (.000030) MINIMUM GOLD PLATE IN CONTACT AREA,  
 0.00127 (.000050) MINIMUM TIN PLATE IN TERMINATION AREA, ALL OVER 0.00127 (.000050)  
 MINIMUM NICKEL
- 7 ROHS 2002/95/EC COMPLIANT.



3.05  
[.120]

5-111672-1

111672-1

PART NUMBER

THIS DRAWING IS A CONTROLLED DOCUMENT.		DWN C. REIFSNYDER 17 JAN 97	tyco Electronics		Tyco Electronics Corporation Harrisburg, Pa 17105-3608	
DIMENSIONS: mm [INCHES]		CHK J.D.STINE 20 JAN 97	NAME J.D.STINE 20 JAN 97		CABLE CONNECTOR ASSY, 10 POSN, UNLATCHED, 50/50 GRID, AMPMODU	
TOLERANCES UNLESS OTHERWISE SPECIFIED:		PRODUCT SPEC 108-1443		RESTRICTED TO		
0 PLC ± -		APPLICATION SPEC 114-7010		SIZE CAGE CODE DRAWING NO		
1 PLC ± -		WEIGHT -		A1 00779 111672		
2 PLC ± 0.15(.005)		CUSTOMER DRAWING		SCALE 10:1 SHEET 1 OF 1 REV C		
3 PLC ± -						
4 PLC ± -						
ANGLES ± -						
FINISH						

## X-ON Electronics

Largest Supplier of Electrical and Electronic Components

*Click to view similar products for [Headers & Wire Housings](#) category:*

*Click to view products by [TE Connectivity](#) manufacturer:*

Other Similar products are found below :

[892-18-020-10-001101](#) [58102-G61-06LF](#) [582553-1](#) [0009485154](#) [009176003701906](#) [0050291907](#) [LY20-4P-DT1-P1E-BR](#) [02.125.8002.8](#)  
[609-3404](#) [61062-3](#) [61082-181009](#) [622-3653LF](#) [63453-116](#) [636-1030](#) [636-1427](#) [636-3427](#) [636-4007](#) [641938-9](#) [641991-4](#) [644827-2](#) [65817-010LF](#) [65817-015LF](#) [65863-015LF](#) [66207-023LF](#) [67095-007LF](#) [67601157](#) [68645-018](#) [68648-049](#) [70.362.1628.0](#) [70-4210](#) [70-4226B](#) [70-4853B](#) [707-5020](#) [707-5028](#) [71.350.2428.0](#) [71918-208LF](#) [71961-016LF](#) [733-134](#) [733-162](#) [754199-000](#) [760-3052](#) [787-8014-00](#) [79531-3000](#)  
[FCN-360C032-B](#) [FCN-367T-T012/H](#) [FCN-723D010/2](#) [80.063.4001.1](#) [800-90-001-10-001000](#) [800-90-010-10-002000](#) [801-43-002-10-013000](#)