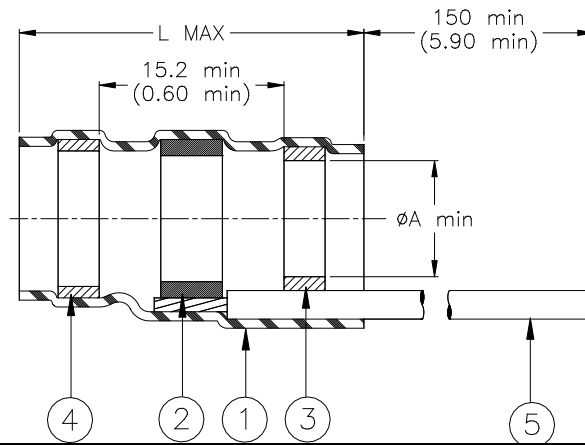


CUSTOMER DRAWING



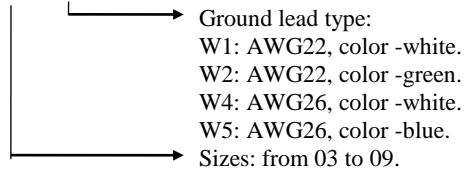
Product Revision		Product Dimensions		Cable Dimensions		
Product Name		L max	ϕA min	ϕB max	ϕC min	ϕD min
CWT-3803-WX	B	42.0 (1.655)	2.7 (0.105)	2.7 (0.105)	1.8 (0.070)	1.3 (0.050)
CWT-3805-WX	A	42.0 (1.655)	4.5 (0.180)	4.5 (0.180)	2.3 (0.090)	1.8 (0.070)
CWT-3806-WX	B	42.0 (1.655)	6.0 (0.235)	6.0 (0.235)	3.3 (0.130)	2.8 (0.110)
CWT-3807-WX	A	42.0 (1.655)	7.0 (0.275)	7.0 (0.275)	3.7 (0.145)	3.2 (0.125)
CWT-3809-WX	C	42.0 (1.655)	8.7 (0.340)	8.7 (0.340)	4.2 (0.165)	3.7 (0.145)

MATERIALS

- INSULATION SLEEVE: Heat-shrinkable, transparent clear, radiation cross-linked modified polyolefin.
- SOLDER PREFORM WITH FLUX:
SOLDER: TYPE Cd18 per ANSI-J-STD-006.
FLUX: TYPE ROM1 per ANSI-J-STD-004.
- MELTABLE RING: Thermally stabilized thermoplastic. Color: True Grey or Natural.
- MELTABLE RING: Thermally stabilized thermoplastic. Color: Blue.
- GROUND LEAD: W1/W2: Raychem 35C0211 tin plated copper, W4/W5: MIL-W-81822/13 solid silver plated copper.

Part number:

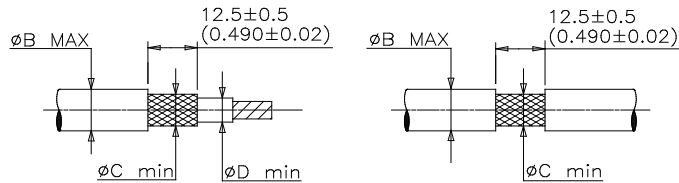
CWT-38XX-WX



APPLICATION

- These controlled soldering devices are designed for termination of bare or tin plated copper shield on a cable, rated for at least +85°C.
- Temperature range: -55°C to +125°C. For installation procedure and application equipment, consult RPIP-824-00.

For best results, prepare the cable as shown:



		Raychem Devices		TITLE: SOLDERSLEEVE ONE STEP SHIELD TERMINATION LOW TEMPERATURE			
<small>UNLESS OTHERWISE SPECIFIED DIMENSIONS ARE IN MILLIMETERS. INCHES DIMENSIONS ARE BETWEEN BRACKETS.</small>				DOCUMENT NO.: CWT-38XX-WX			
TOLERANCES: 0.00 N/A 0.0 N/A 0 N/A	ANGLES: N/A ROUGHNESS IN MICRON	Raychem reserves the right to amend this drawing at any time. Users should evaluate the suitability of the product for their application.		ECO No: ECO-17-016860	REPLACES: D000162		
DRAWN BY: M. FORONDA	DATE: 15-November-2017	PROD. REV.: SEE TABLE	DOC ISSUE: J	SCALE: None	SIZE: A	SHEET: 1 of 1	

X-ON Electronics

Largest Supplier of Electrical and Electronic Components

Click to view similar products for [Solder & Shield Tubing](#) category:

Click to view products by [TE Connectivity](#) manufacturer:

Other Similar products are found below :

[CTC-0062-20-9/5-9](#) [CTC-0062-22-9/5-9](#) [650076N001](#) [680441-000](#) [D-150-0331CS2902](#) [D-181-1222-90/9CS2800](#) [D-300-01CS1108](#) [982127-1](#) [D-436-0127CS391](#) [D-436-0182CS246](#) [D-436-37CS2651](#) [D-436-58CS246](#) [D-436-61CS246](#) [D-436-82-CS2621](#) [D-659-0087](#) [D-750-0005CS2493](#) [E53797N001](#) [S200-2-01](#) [S200-4-00CS2904](#) [LSS-81-16AA-CS5575](#) [SO63-2-9036-22CS2677](#) [SO63-3-01CS293](#) [SO63-3-9036-20CS2677](#) [SO63-3-9036-22CS2677](#) [SO63-4-9036-20CS2677](#) [SO63-5-9036-22CS2677](#) [CC1525-000](#) [CTA-0025](#) [CTA-0025CS072](#) [D-108-01CS227](#) [D-108-07CS436](#) [D-128-0010](#) [D-141-0108CS404](#) [D-142-51-202-7754](#) [D-144-41CS1371](#) [D-150-0231-NRCS2896](#) [B-801-18-01](#) [B-801-58](#) [515-9](#) [C67137-000](#) [D-436-36CS2908](#) [D-436-37CS2908](#) [D-436-52CS246](#) [D-436-83CS2705](#) [D-438-0102](#) [LSS-26-8A](#) [427243-000](#) [D-106-2012](#) [D-300-08CS1108](#) [UWCS-2U/7.6-1C/5.8](#)