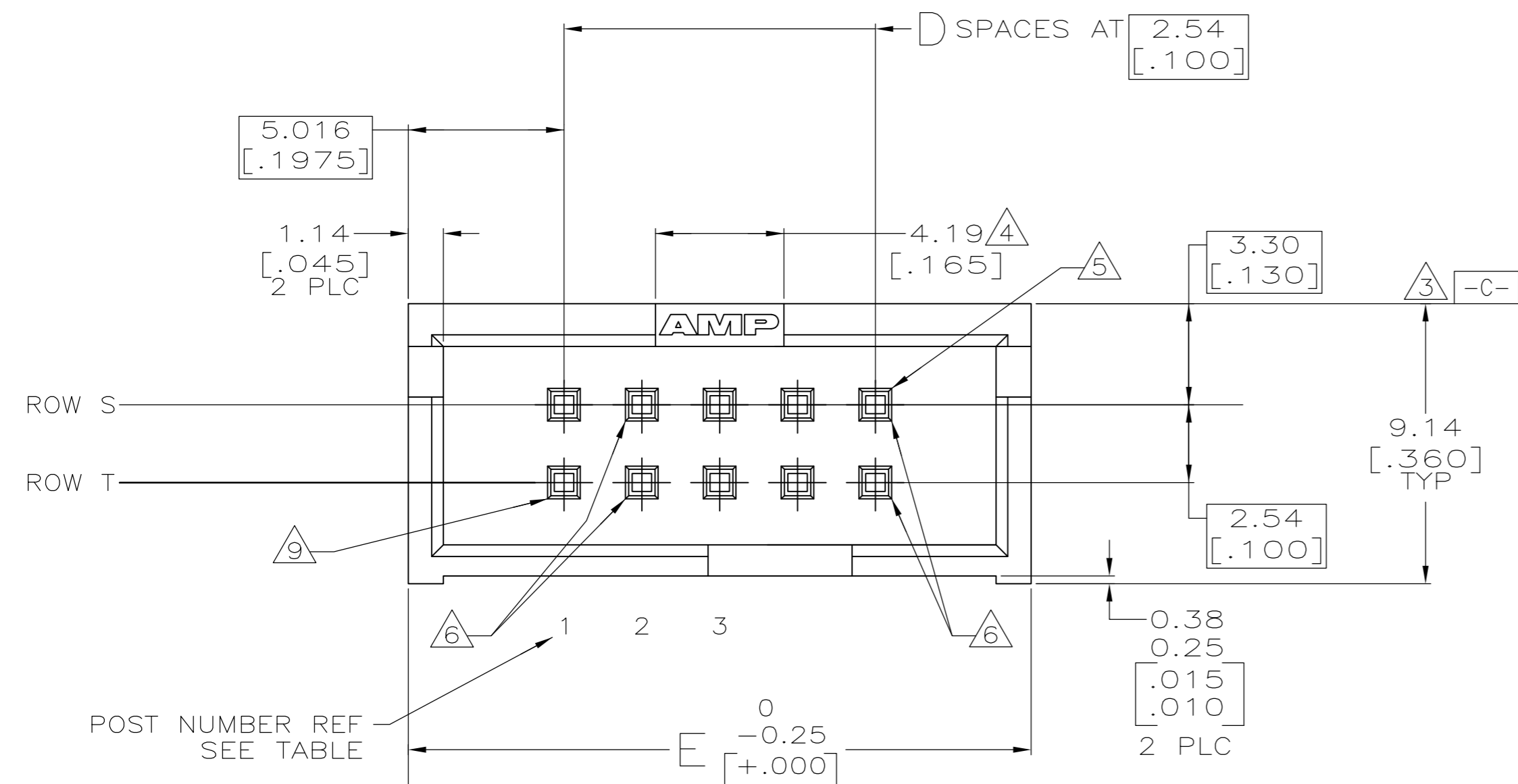
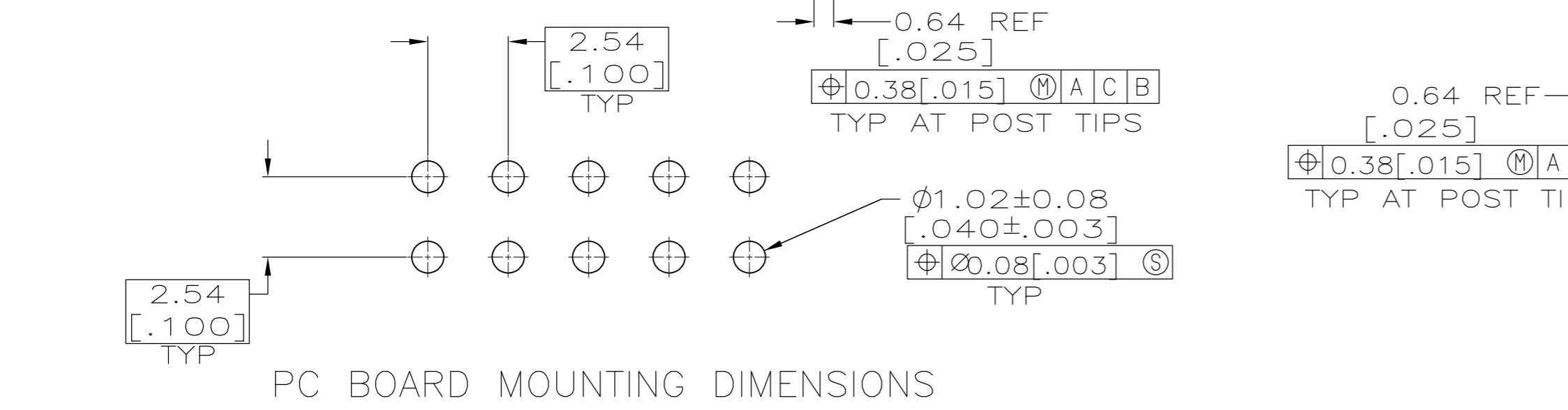
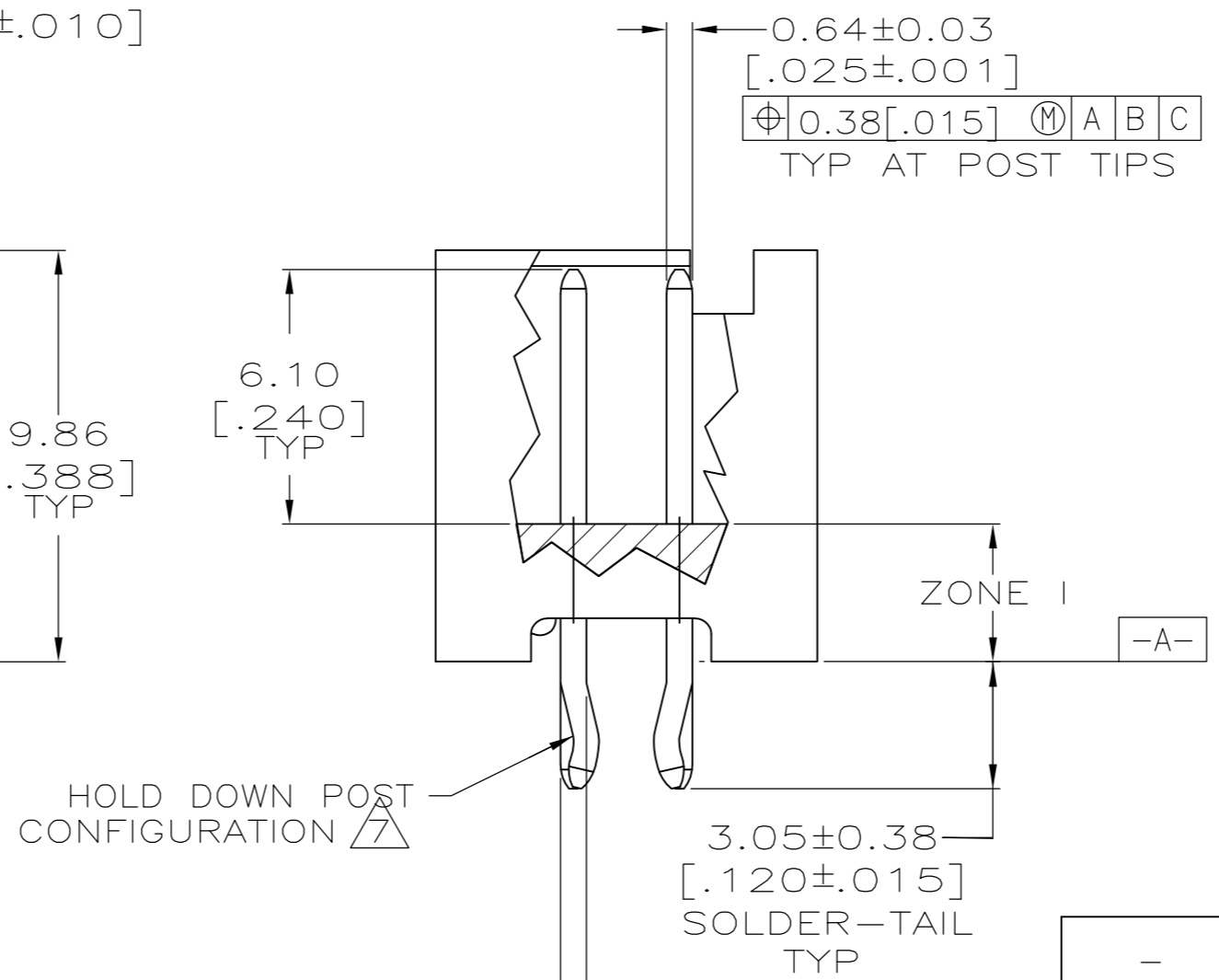
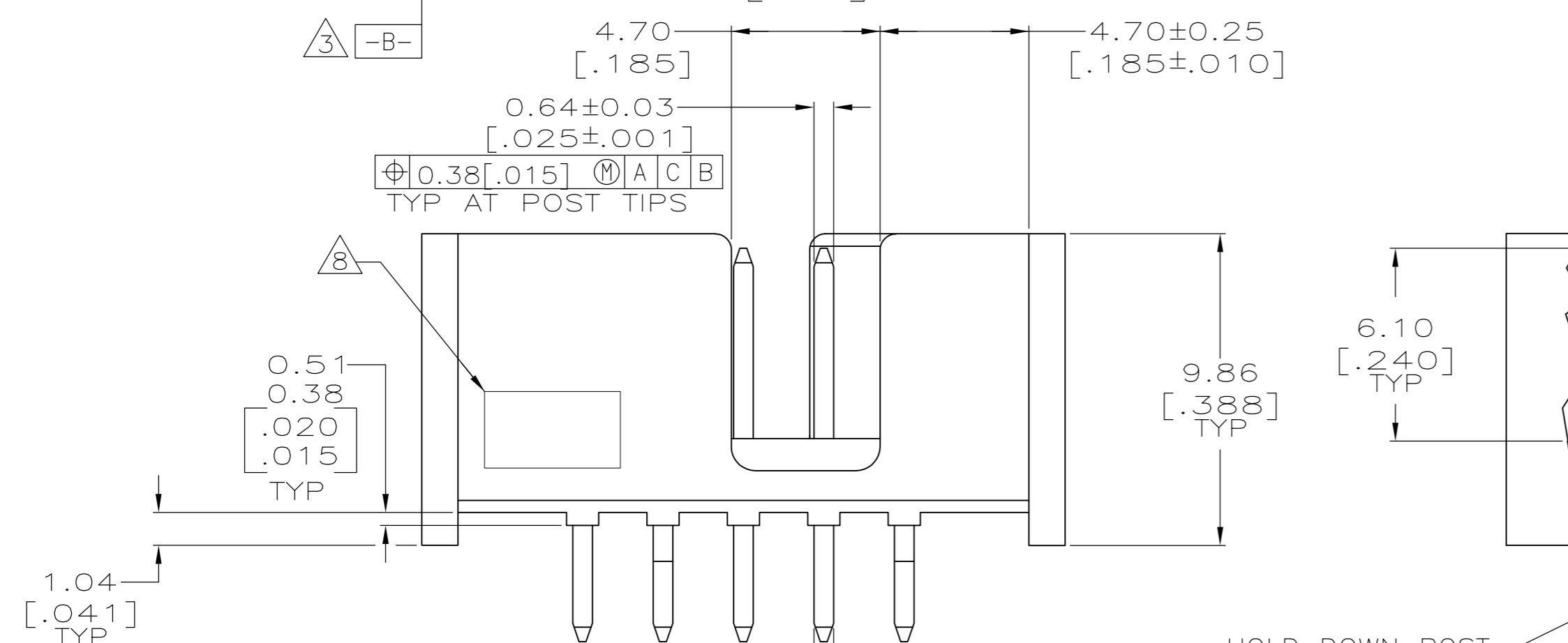


THIS DRAWING IS UNPUBLISHED. RELEASED FOR PUBLICATION
 © COPYRIGHT BY TYCO ELECTRONICS CORPORATION. ALL INTERNATIONAL RIGHTS RESERVED.

| LOC | | DIST | | REVISIONS | | | |
|-----|----|------|-----|---------------------------|-----------|-----|------|
| GP | 00 | P | LTR | DESCRIPTION | DATE | DWN | APVD |
| | | E | | REVISED PER ECO-11-003735 | 16MAR2011 | CJV | SLB |



- △1 HOUSING: GLASS FILLED NYLON OR PBT, BLACK, UL 94V-0 RATED. POSTS: BRASS.
- △2 POSTS: GOLD FLASH OVER PALLADIUM-NICKEL PLATE, 0.38μm [.000015] MIN TOTAL ON THE MATING SURFACES, 2.54μm [.000100] MIN TIN-LEAD PLATE ON THE SOLDER-TAILS, 1.27μm [.000050] MIN NICKEL UNDERPLATE ON THE ENTIRE POST.
-OR-
0.38μm [.000015] MIN GOLD PLATE ON THE MATING SURFACES, 2.54μm [.000100] MIN TIN-LEAD PLATE ON THE SOLDER-TAILS, 1.27μm [.000050] MIN NICKEL UNDERPLATE ON THE ENTIRE POST.
- △3 DATUMS B AND C APPLY IN ZONE I ONLY.
- △4 CENTER POLARIZATION SLOT.
- △5 POSITION NUMBER 1
- △6 HOLD DOWN POSTS (4 PLACES).
- △7 THE RETENTIVE FEATURE ON THIS CONNECTOR WAS DESIGNED TO BE USED FULLY SEATED IN A CIRCUIT BOARD HAVING A THICKNESS OF 1.57 ± 0.18 [.062 ± .007]. FOR CONNECTORS HAVING RETENTIVE FEATURES DESIGNED FOR USE IN CIRCUIT BOARDS OF OTHER THICKNESSES, CONTACT AMP INCORPORATED.
- △8 OPTIONAL AMP IDENTIFICATION NUMBER (DATE CODE), LOCATED APPROXIMATELY AS SHOWN.



| | | | | | |
|--------------|-------|--------------|---|------------|-------------|
| - | 1 | 20.32 [.800] | 4 | 10 | 111990-1 |
| ROW S | ROW T | E | D | NO OF POSN | PART NUMBER |
| POST OMITTED | | | | | |

| | | | | |
|--|--|----------------------------------|--|--|
| THIS DRAWING IS A CONTROLLED DOCUMENT. | | DWN C.REIFSNYDER 11 JUL 96 | Tyco Electronics Corporation Harrisburg, PA 17105-3608 | |
| DIMENSIONS: mm [INCHES] | | CHK J. MOSIER 08 NOV 96 | NAME | |
| TOLERANCES UNLESS OTHERWISE SPECIFIED: | | APVD J.MOSIER 11 NOV 96 | PRODUCT SPEC | |
| 0 PLC ± - | | APPLICATION SPEC 108-40018 | | |
| 1 PLC ± - | | WEIGHT - | | |
| 2 PLC ± 0.13 [.005] | | SIZE A2 CAGE CODE 00779 C=111990 | | |
| 3 PLC ± - | | DRAWING NO | | |
| 4 PLC ± - | | RESTRICTED TO | | |
| ANGLES ± - | | SCALE 6:1 SHEET 1 OF 1 REV E | | |
| FINISH | | CUSTOMER DRAWING | | |

X-ON Electronics

Largest Supplier of Electrical and Electronic Components

Click to view similar products for [Headers & Wire Housings](#) category:

Click to view products by [TE Connectivity](#) manufacturer:

Other Similar products are found below :

[95000-104TRLF](#) [10135584-644402LF](#) [DF62W-EP2022PCA](#) [95000-106TRLF](#) [DF62W-2022SCA](#) [DF62W-EP2022PC](#) [2203348](#) [DF62W-2022SC](#) [1084018](#) [1029039](#) [1084017](#) [802-10-012-10-002000](#) [1112640](#) [1112639](#) [000-34000](#) [0009482033](#) [0009507031](#) [57102-S06-03LF](#) [57202-S52-04LF](#) [PCN6-15S-2.5E](#) [0039019024](#) [58102-G61-06LF](#) [582553-1](#) [0009485154](#) [0009508121](#) [0022285053](#) [0050291907](#) [018731A](#) [LY20-4P-DT1-P1E-BR](#) [02.125.8002.8](#) [60101931](#) [60598-1 \(Cut Strip\)](#) [M1625-3R/100](#) [61062-3](#) [61082-181009](#) [636-1427](#) [638009-1](#) [641938-9](#) [641991-4](#) [644168-1](#) [647662-1](#) [65039-019ELF](#) [65817-002LF](#) [65817-015LF](#) [65863-015LF](#) [66207-023LF](#) [67016-026LF](#) [67046-001LF](#) [67095-007LF](#) [67230-005LF](#)