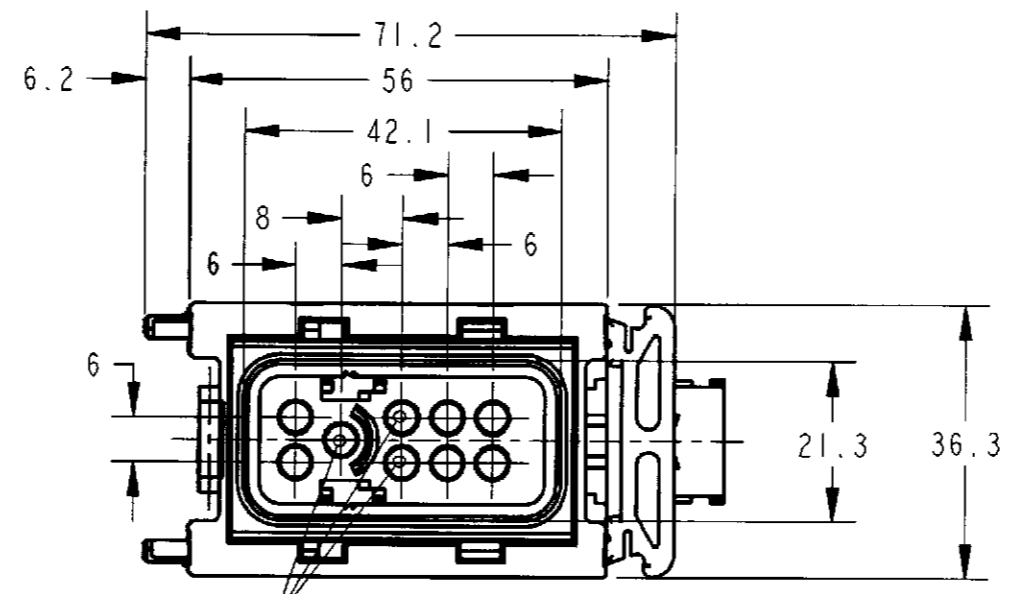
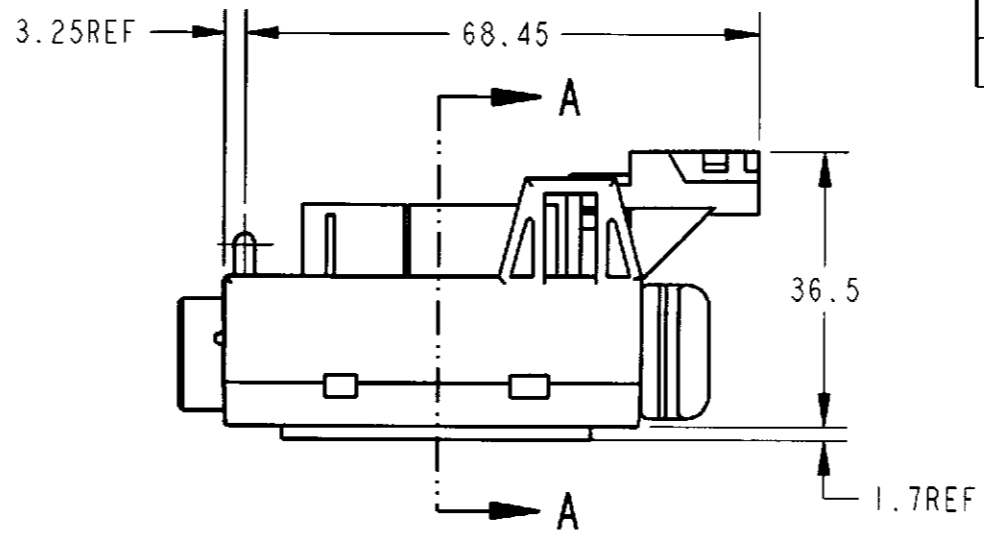
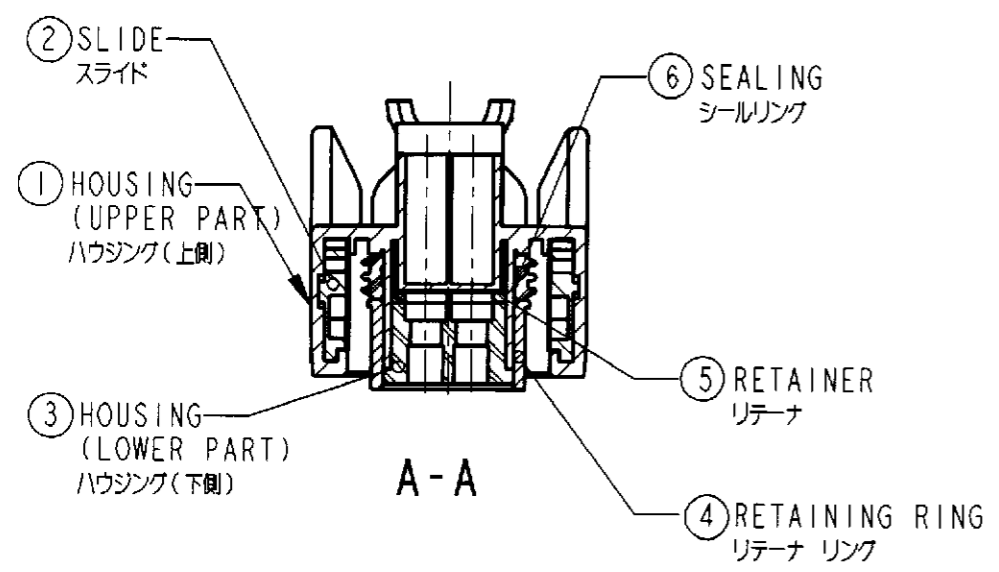


THIS DRAWING IS UNPUBLISHED. RELEASED FOR PUBLICATION .19
 © COPYRIGHT 19 BY AMP INCORPORATED. ALL RIGHTS RESERVED.

| LOC | DIST | REVISIONS | | | | | | |
|-----|------|-----------|-----|-------------|--------------|---------|-----|------|
| | | P | LTR | DESCRIPTION | ECN | DATE | DWN | APVD |
| J | - | 0 | | RELEASED | FJ00-2016-98 | 21Oct98 | K.S | M.T |



CAVITY CLOSED
穴埋め回路

-2: AS SHOWN
-2: 本図

- 1. APPLIED CONTACTS: 929974-3
929975-3
- 2. APPLIED WIRE COVER: 1123005-2
- 3. INSTRUCTION SHEET: 411-5876

- 1. 適用端子型番: 929974-3
929975-3
- 2. 適用ワイヤカバー: 1123005-2
- 3. 取扱説明書: 411-5876

| QTY | MATERIAL | NAME | COLOR | ITEM NO |
|-----|----------------|-----------------------------------|-------------|---------|
| 数量 | 材料 | 名称 | 色 | 順番 |
| 1 | SILICON RUBBER | SEALING シールリング | YELLOW 黄 | 6 |
| 1 | PA66 | RETAINER リテーナ | RED 赤 | 5 |
| 1 | PA66 | RETAINING RING リテーナ リング | BLACK 黒 | 4 |
| 1 | PA66 | HOUSING (LOWER PART) ハウジング(下側) | BLACK 黒 | 3 |
| 1 | PBT | SLIDE スライド | GRAY 灰 | 2 |
| 1 | PBT | HOUSING (UPPER PART) ハウジング(上側) | BLACK 黒 | 1 |

THIS DRAWING IS A CONTROLLED DOCUMENT FOR AMP INCORPORATED. IT IS SUBJECT TO CHANGE AND THE CONTROLLING ENGINEERING ORGANIZATION SHOULD BE CONTACTED FOR THE LATEST REVISION.

| | |
|----------------------------|--|
| DIMENSIONS: 単位: 距 mm | TOLERANCES UNLESS OTHERWISE SPECIFIED: 一般公差 = ± 0.5 |
| 0 PLC ± | 1 PLC ±0.1 |
| 2 PLC ±0.01 | 3 PLC ±0.001 |
| 4 PLC ±0.0001 | ANGLES ± |
| MATERIAL 材料 | FINISH 仕上 |
| SEE TABLE 表参照 | - // |

| | |
|----------------------------|-----------|
| DWN K. SAKAMAKI | 21Oct98 |
| CHK // | - |
| APVD M. TSUKAKOSHI | 21OCT98 |
| PRODUCT SPEC 製品規格 | 108-5632 |
| APPLICATION SPEC 取付適用規格 | 114-18020 |
| WEIGHT | 37.7g |
| CUSTOMER DRAWING | |

| | | | |
|--|-----------------|--------------------------------------|-----------|
| WIRE RANGE 適合電線新番種 | SEE TABLE | INSULATION DIA 被覆外径 | SEE TABLE |
| AMP | | AMP (JAPAN), LTD. Kawasaki, Japan | |
| NAME 名称 2.5φ CONTACT 9POS SOCKET HOUSING ASSY | | | |
| SIZE | CAGE CODE 番号 | DRAWING NO | |
| A3 | 00779 | C=1123006 | |
| SCALE 尺度 | | SHEET | OF |
| | | | REV 0 |

X-ON Electronics

Largest Supplier of Electrical and Electronic Components

Click to view similar products for [Automotive Connectors](#) category:

Click to view products by [TE Connectivity](#) manufacturer:

Other Similar products are found below :

[003-018-000](#) [60403001](#) [60993906-B](#) [M902-2131](#) [M902-2161](#) [72.330.1035.1](#) [73.353.4028.0](#) [F119300-B](#) [F166900](#) [F258300-B](#) [F358300-B](#)
[F407400](#) [F444110](#) [F487000](#) [F509500B-B](#) [827153-1](#) [8N1515-32-24P](#) [9-1326729-8](#) [925474-1](#) [928905-1](#) [964562-4](#) [968782-1](#) [GT17SA-8DS-](#)
[HU](#) [98891-1012](#) [98947-1016](#) [12004147](#) [12004475-L](#) [12010290](#) [12010309-B](#) [12015454](#) [12020219-B](#) [12020308](#) [12041318-B](#) [12052225-L](#)
[12052466](#) [12059125](#) [12064869](#) [12004327-B](#) [12010503-B](#) [12015308](#) [12015384](#) [12015909](#) [1-21030-1](#) [12041254](#) [12041318](#) [12047946-B](#)
[12047957](#) [12047957-L](#) [12059473](#) [12066261](#)