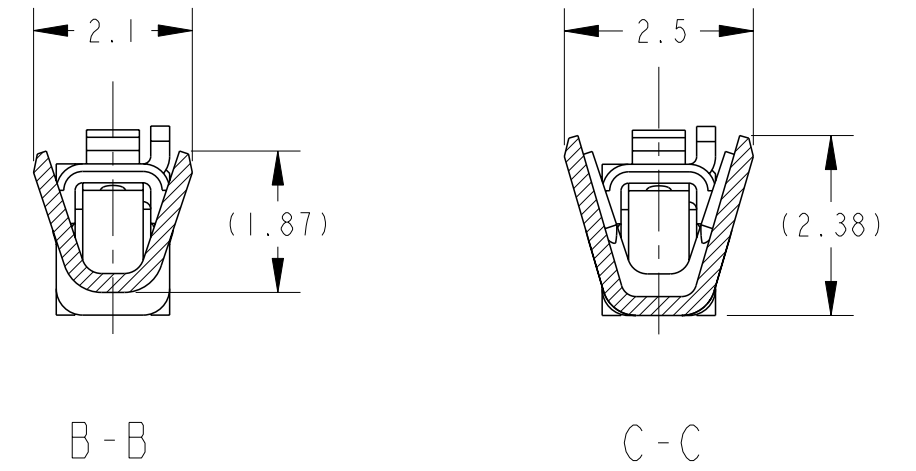
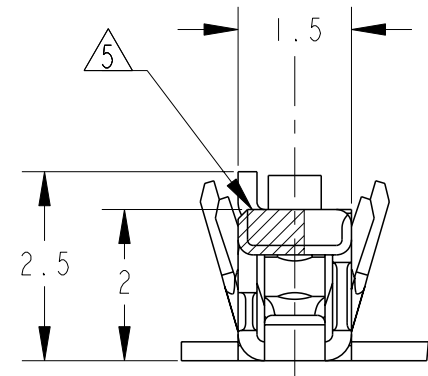
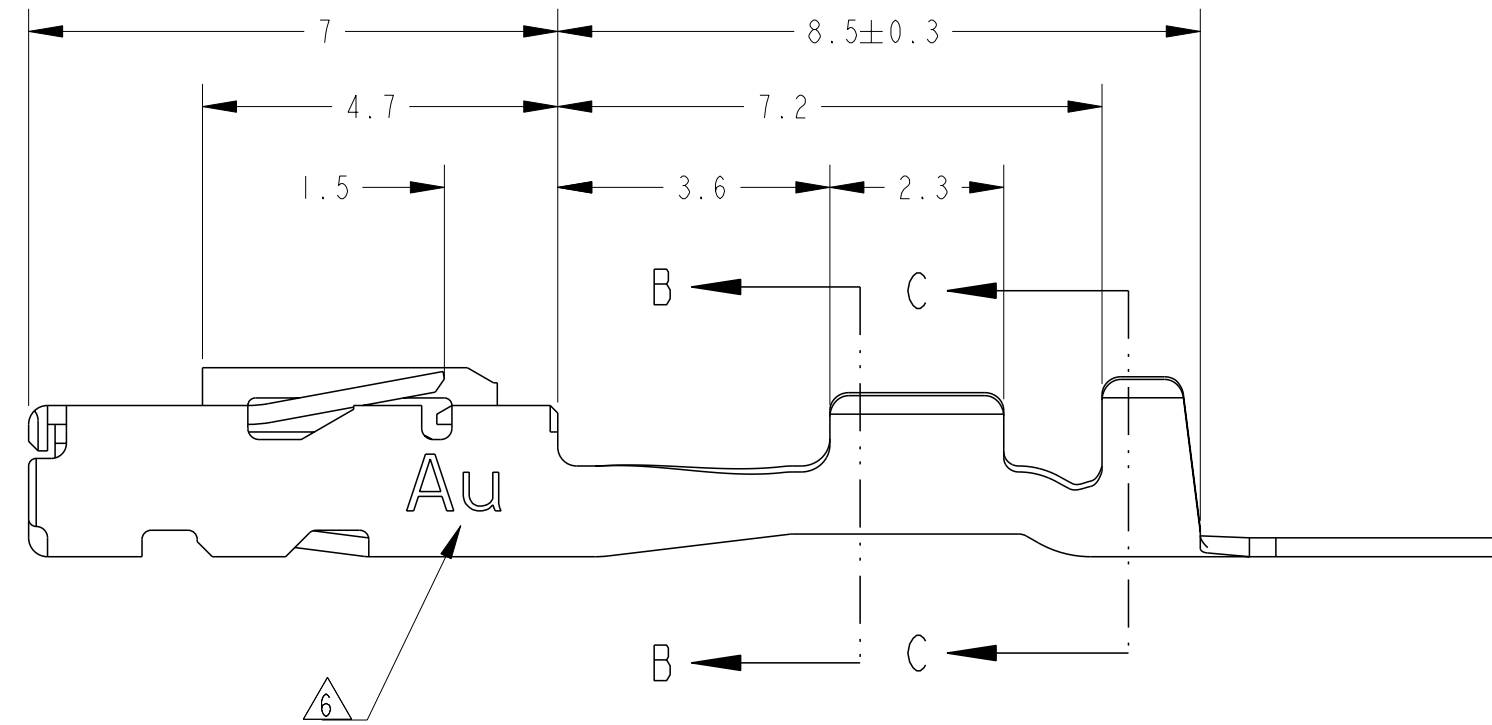
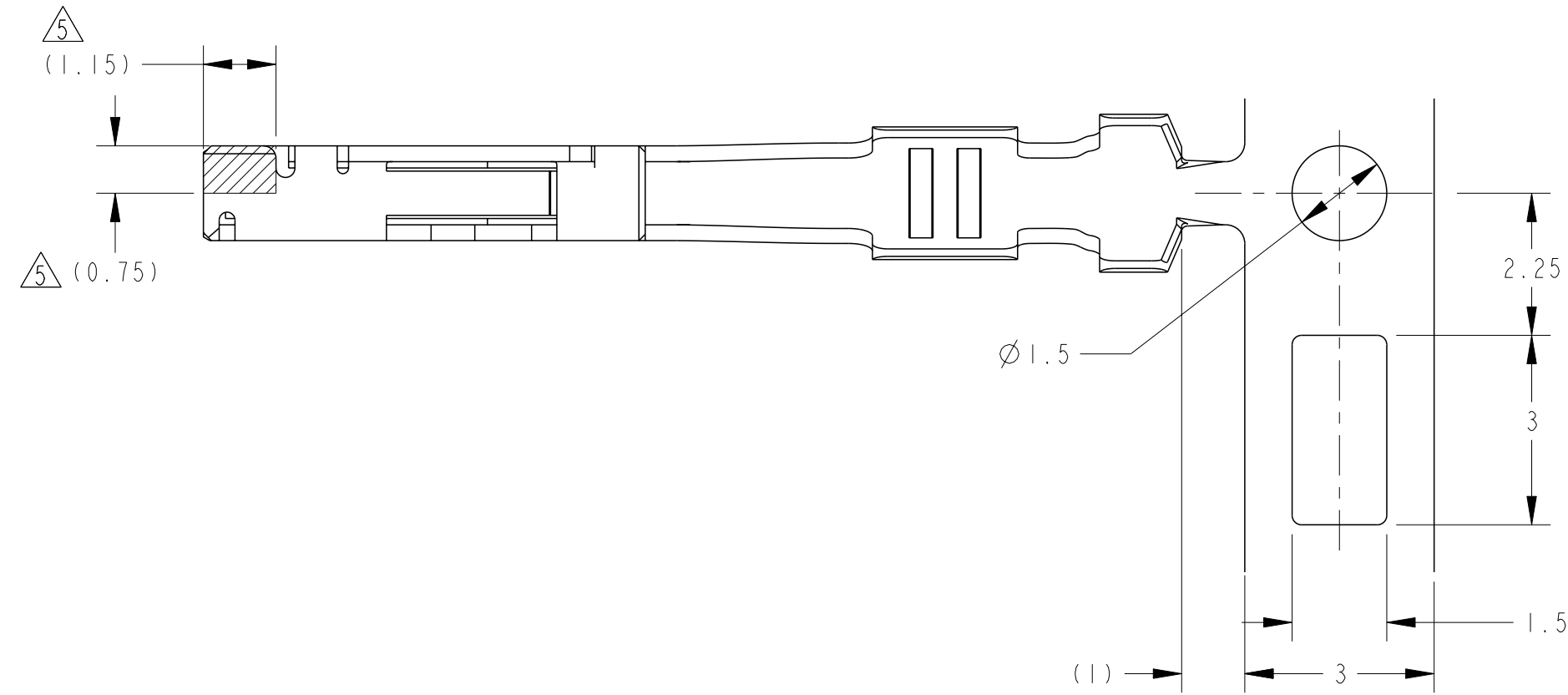
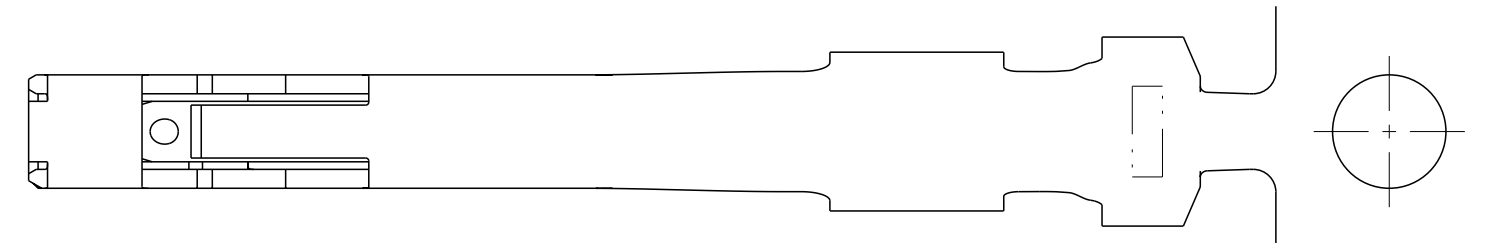


LOC J
 NIST

| REVISIONS | | | | | |
|-----------|-----|---------------------------|-----------|-----|------|
| P | LTR | DESCRIPTION | DATE | DWN | APVD |
| P | | REVISED PER ECO-11-005140 | 02APR2011 | RK | HMR |
| PI | | REVISED ECR-11-007131 | 14JUN11 | RK | HY |
| R | | REVISED ECR-15-013494 | 18SEP2015 | KK | RK |



1. 適用電線:
 AVSS, AVSSH-f 0.3-0.5mm²
 CAVS, CAVUS 0.22-0.5mm²
 2. 取付適用規格; 114-5250
 3. アプリケータ送りピッチ; 7.5mm
 4. パラ端子型番;
 PRE-TIN; 1318143-1
 SELECTIVE GOLD; 1318143-2
- △5 識別用金めっき範囲を示す。
 △6 識別用刻印
1. APPLICABLE WIRE RANGE ;
 AVSS, AVSSH-f 0.3-0.5mm²
 CAVS, CAVUS 0.22-0.5mm²
 2. APPLICATION SPEC ; 114-5250
 3. APPLICATOR FEED; 7.5mm.
 4. P/N OF LOOSE PIECE;
 PRE-TIN; 1318143-1
 SELECTIVE GOLD; 1318143-2
- △5 GOLD PLATED AREA FOR DISCRIMINATION.
 △6 MARKING FOR IDENTIFICATION.



| | |
|-----------------------|-----------|
| SEE DRAWING 1123343-7 | 1123343-7 |
| OBSOLETE | 1123343-5 |
| △5△6 SELECTIVE GOLD | 1123343-2 |
| PRE-TIN | 1123343-1 |
| FINISH | PART NO. |

WIRE RANGE 総合電線断面積 0.22-0.56mm² INSULATION DIA 被覆外径 Ø0.95-1.7



NAME 名称 025 RECEPTACLE CONTACT
 025 RECEPTACLE CONTACT

SIZE A2 CAGE CODE 00779 DRAWING NO. 114-5250 RESTRICTED TO

| | | |
|---|-------------------|-------------------------|
| THIS DRAWING IS A CONTROLLED DOCUMENT. | | DWN H. YAMAGAMI 25JAN99 |
| DIMENSIONS: 単位: 概 (mm) | | CHK T. KOHNO 25JAN99 |
| TOLERANCES UNLESS OTHERWISE SPECIFIED: 一般公差 = ± 0.2 | | APVD N. SAI 25JAN99 |
| 0-PLC ± | 1-PLC ±0.1 | PRODUCT SPEC |
| 2-PLC ±0.15 | 3-PLC ±0.001 | APPLICATION SPEC |
| 4-PLC ±0.0001 | ANGLES ±3°00' | 取付適用規格 114-5250 |
| MATERIAL 材料 COPPER ALLOY | FINISH 仕上 見 TABLE | WEIGHT 0.2g |

Customer Drawing

SCALE 10:1 SHEET 1 OF 1 REV R

X-ON Electronics

Largest Supplier of Electrical and Electronic Components

Click to view similar products for [Headers & Wire Housings](#) category:

Click to view products by [TE Connectivity](#) manufacturer:

Other Similar products are found below :

[892-18-020-10-001101](#) [58102-G61-06LF](#) [582553-1](#) [0009485154](#) [009176003701906](#) [0050291907](#) [LY20-4P-DT1-P1E-BR](#) [02.125.8002.8](#)
[609-3404](#) [61062-3](#) [61082-181009](#) [622-3653LF](#) [63453-116](#) [636-1030](#) [636-1427](#) [636-3427](#) [636-4007](#) [641938-9](#) [641991-4](#) [644827-2](#) [65817-010LF](#) [65817-015LF](#) [65863-015LF](#) [66207-023LF](#) [67095-007LF](#) [67601157](#) [68645-018](#) [68648-049](#) [70.362.1628.0](#) [70-4210](#) [70-4226B](#) [70-4853B](#) [707-5020](#) [707-5028](#) [71.350.2428.0](#) [71918-208LF](#) [71961-016LF](#) [733-134](#) [733-162](#) [754199-000](#) [760-3052](#) [787-8014-00](#) [79531-3000](#)
[FCN-360C032-B](#) [FCN-367T-T012/H](#) [FCN-723D010/2](#) [80.063.4001.1](#) [800-90-001-10-001000](#) [800-90-010-10-002000](#) [801-43-002-10-013000](#)