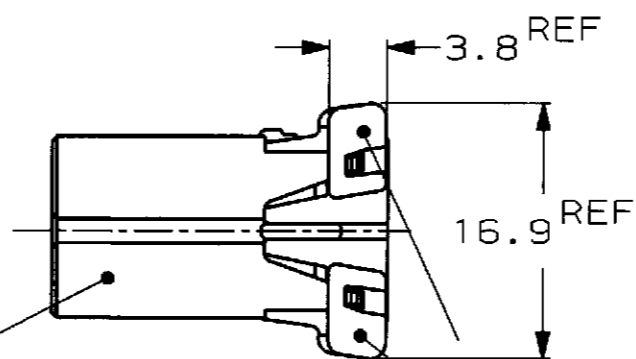
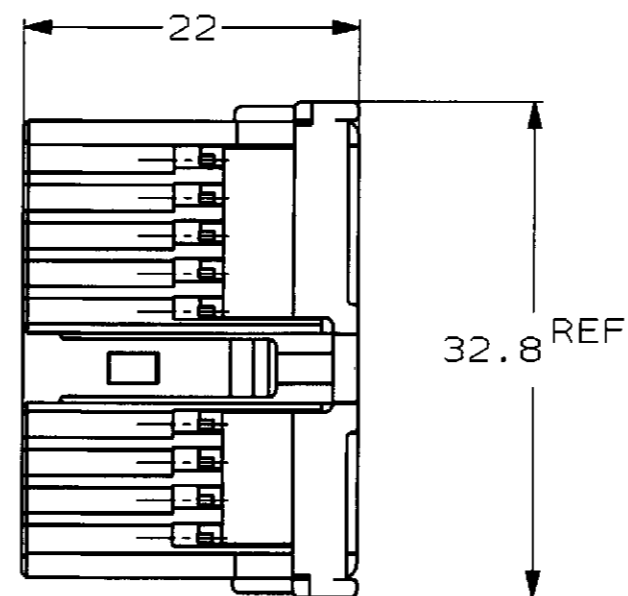
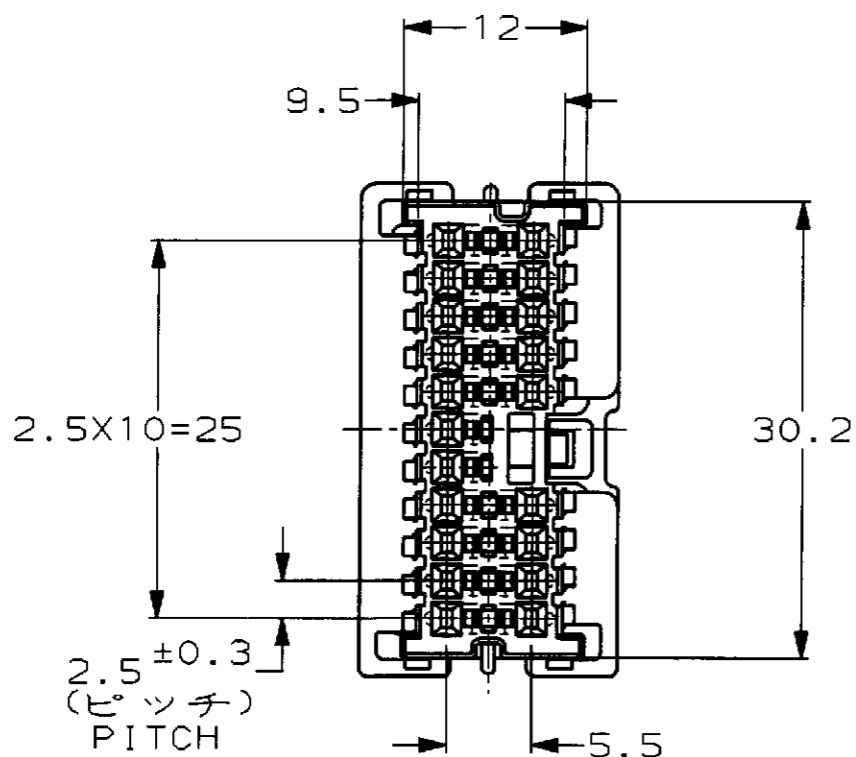
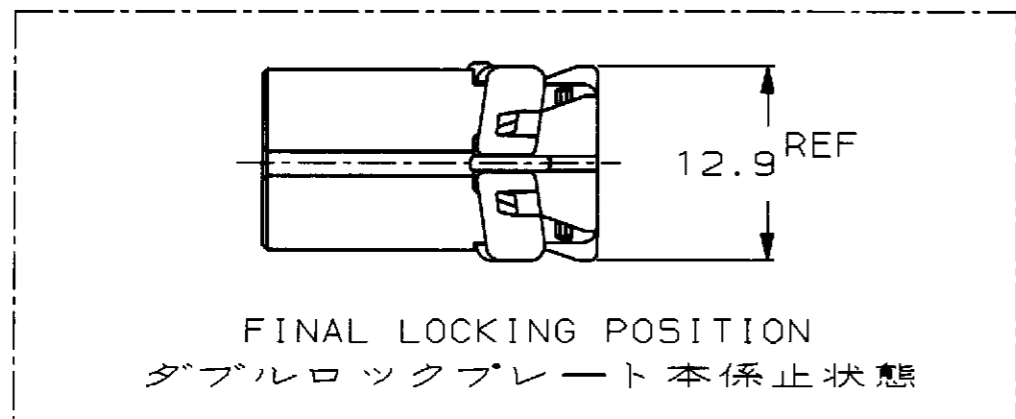


| P | LTR | DESCRIPTION | ECN          | DATE    | DWN | APVD |
|---|-----|-------------|--------------|---------|-----|------|
| A |     | 再作成 REDRAWN | FJ00-0506-98 | 09APR98 | TM  | MT   |
| B |     | 変更 REVISED  | FJ00-2023-98 | 26OCT98 | TM  | MT   |



PLUG HOUSING  
プラグハウジング

DOUBLE LOCK PLATE (NATURAL)  
ダブルロックプレート(自然色)



|   |                        |  |                  |                   |
|---|------------------------|--|------------------|-------------------|
| 1123425-1   | 1123357-1              | 316836-1<br>316837-2 (Au)                | 自然色<br>(NATURAL) | 1123379-1         |
| 電線対基板用<br>WIRE TO BOARD   | 電線対電線用<br>WIRE TO WIRE | 適用端子型番<br>APPLICABLE CONTACT PART NUMBER | 色<br>(COLOR)     | 型番<br>PART NUMBER |
| 嵌合相手ハウジング型番<br>MATING HOUSING PART NUMBER   |                        |  |                  |                   |
| THIS DRAWING IS A CONTROLLED DOCUMENT FOR AMP INCORPORATED. IT IS SUBJECT TO CHANGE AND THE CONTROLLING ENGINEERING ORGANIZATION SHOULD BE CONTACTED FOR THE LATEST REVISION. |                        |  |                  |                   |
| DIMENSIONS<br>単位・種<br>mm  |                        | TOLERANCES UNLESS OTHERWISE SPECIFIED    |                  |                   |
| MATERIAL<br>材料  |                        | FINISH<br>仕上                             |                  |                   |
| PBT   |                        |  |                  |                   |
| CHK<br>E. SASAKI  |                        | APVD<br>M. TSUKAKOSHI                    |                  |                   |
| PRODUCT SPEC<br>製品規格  |                        | 108-5603<br>108-5607                     |                  |                   |
| APPLICATION SPEC<br>取付適用規格  |                        | 114-5217                                 |                  |                   |
| WEIGHT<br>4.5g  |                        | SIZE<br>A3                               |                  |                   |
| CUSTOMER DRAWING  |                        | CAGE CODE<br>00779                       |                  |                   |
|   |                        | DRAWING NO<br>1123379                    |                  |                   |
|   |                        | RESTRICTED TO<br>-                       |                  |                   |
|   |                        | SCALE<br>2:1                             |                  |                   |
|   |                        | SHEET<br>1 OF 1                          |                  |                   |
|   |                        | REV<br>B                                 |                  |                   |

Auto2/new/u.a98-0070/u.customer/sca-1123379

## X-ON Electronics

Largest Supplier of Electrical and Electronic Components

*Click to view similar products for [Automotive Connectors](#) category:*

*Click to view products by [TE Connectivity](#) manufacturer:*

Other Similar products are found below :

[003-018-000](#) [60403001](#) [60993906-B](#) [M902-2131](#) [M902-2161](#) [M902-2344](#) [72.330.1035.1](#) [73.353.4028.0](#) [F119300-B](#) [F166900](#) [F258300-B](#)  
[F358300-B](#) [F407400](#) [F444110](#) [F487000](#) [F509500B-B](#) [827153-1](#) [8N1515-32-24P](#) [9-1326729-8](#) [925474-1](#) [928905-1](#) [964562-4](#) [968782-1](#)  
[GT17SA-8DS-HU](#) [98891-1012](#) [98947-1016](#) [12004147](#) [12004475-L](#) [12010290](#) [12010309-B](#) [12015454](#) [12020219-B](#) [12041318-B](#) [12052225-](#)  
[L](#) [12052466](#) [12064869](#) [12004327-B](#) [12015308](#) [12015384](#) [12015909](#) [1-21030-1](#) [12041254](#) [12041318](#) [12047946-B](#) [12047957](#) [12047957-L](#)  
[12059473](#) [12066261](#) [12110546](#) [12110546-B](#)