

THIS DRAWING IS UNPUBLISHED.

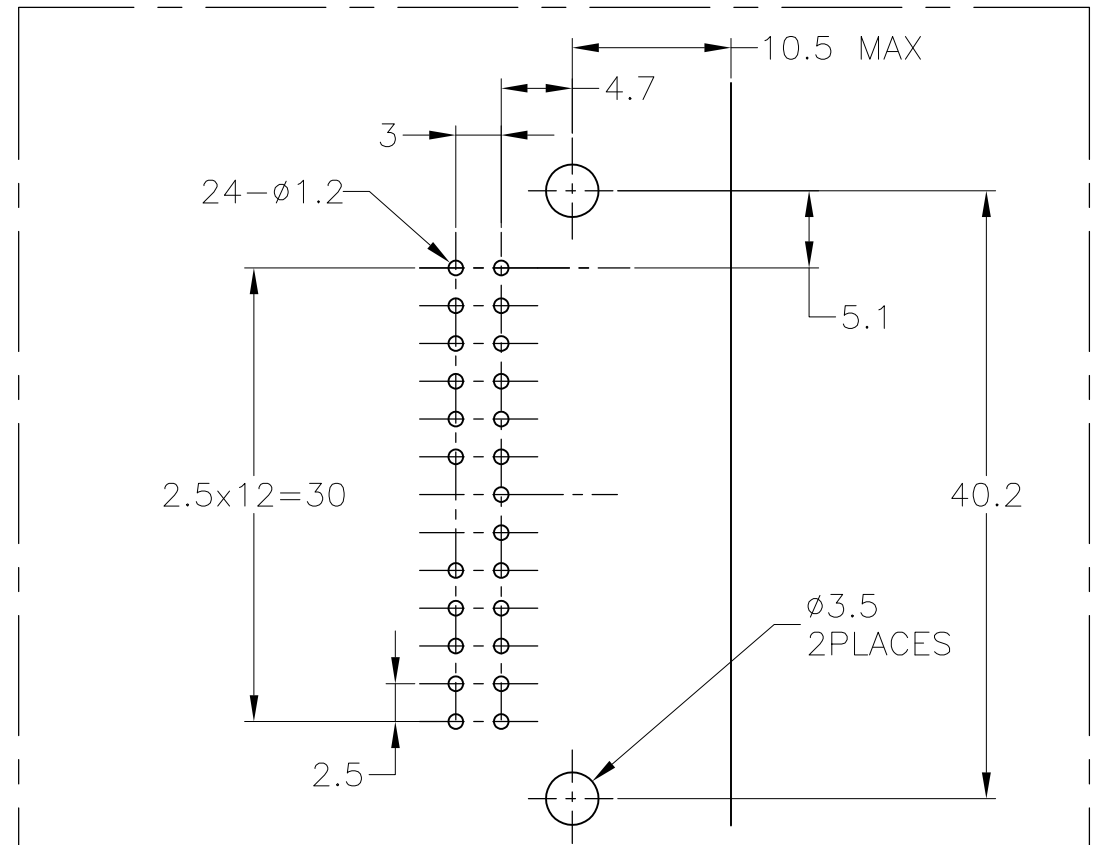
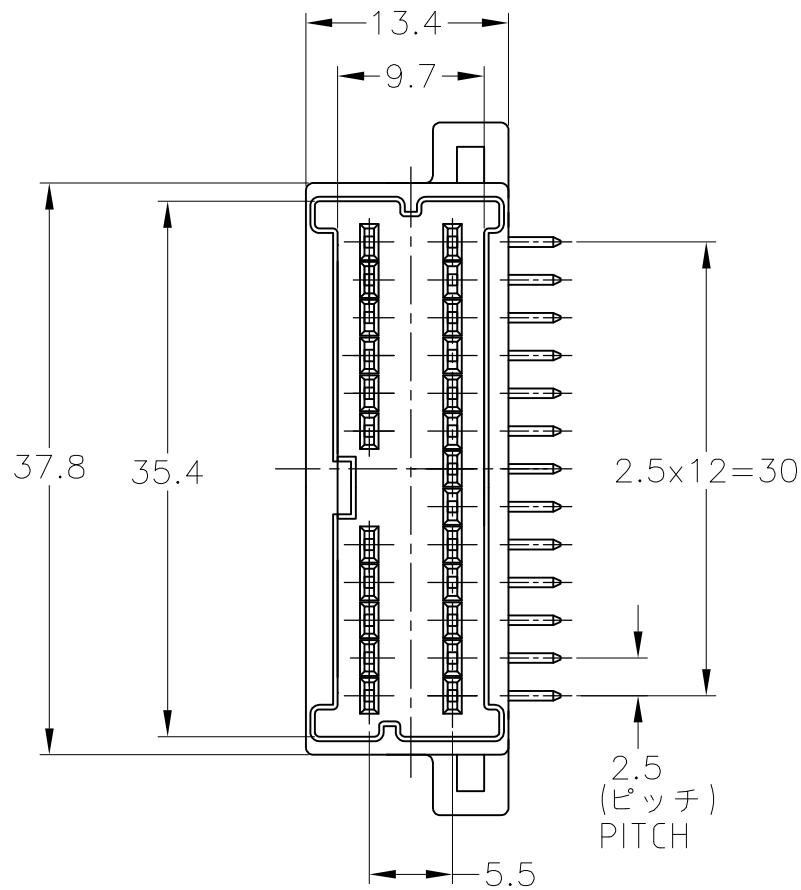
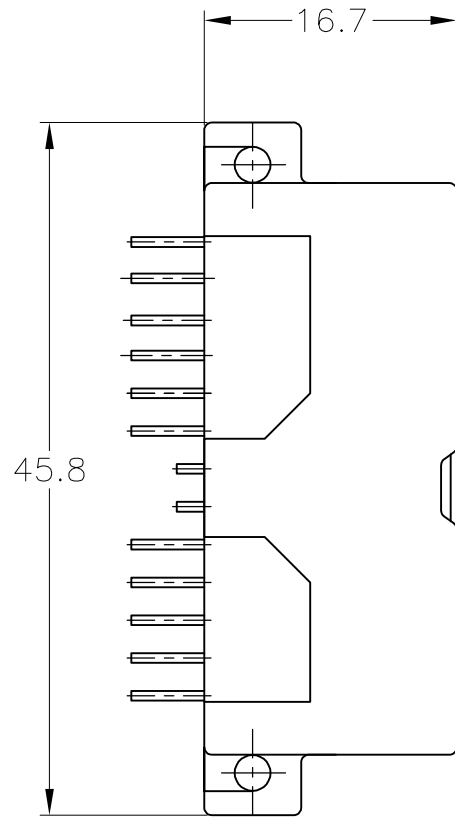
RELEASED FOR PUBLICATION JUL . - .

JUL . - .

© COPYRIGHT 2014 Tyco Electronics Japan G.K.

ALL RIGHTS RESERVED.

LOC	DIST	REVISIONS					
J	-	P	LTR	DESCRIPTION	DATE	DWN	APVD
		A1	REVISED	ADD TABLE	ECR-14-009768	08JUL14	AY TK



MOUNTING DIMENSIONS FOR P.C. BOARD  
プリント基板取付け穴寸法

(TOLERANCES: ±0.1  
PITCH TOLERANCES MUST NOT ACCUMULATE.)

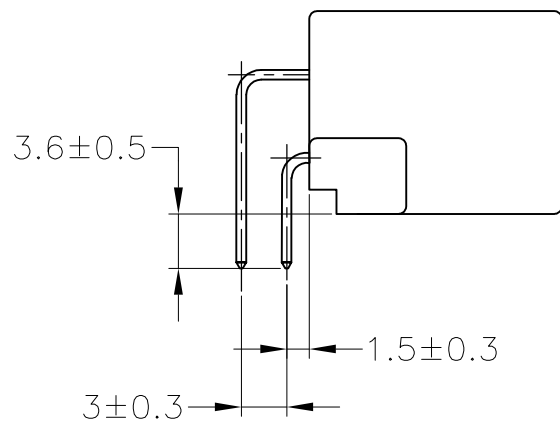
(公差: ±0.1ピッチ公差は累積されないこと。)

P.C. BOARD THICKNESS

基板厚: 1.6mm

1 RECOMMENDED MOUNTING SCREW: PAN-HEADED, TYPE 2 TAPPING SCREW OF 3DIA X 6LENGTH (JIS B1115, B1122), TIGHTENING TORQUE: 39.2N-cm [4Kg-cm] MAX

1 推奨取付ネジ: JIS B1115, B1122 タッピングねじ、なべ2種、呼び径3、長さ6、締付トルク: 39.2N-cm [4kg-cm] 以下



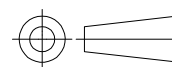
PRE-TIN	1123391-3	茶色 (BROWN)	1123433-3
CONTACT FINISH	MATING HOUSING PART NUMBER	色 (COLOR)	型番 PART NUMBER

TOLERANCES UNLESS OTHERWISE SPECIFIED:  
一般公差

10 ≥	±0.2
30 ≥	>10 : ±0.25
100 ≥	>30 : ±0.3
ANGLE : ±3°	

THIS DRAWING IS A CONTROLLED DOCUMENT.

DIMENSIONS: mm



MATERIAL PBT

TOLERANCES UNLESS OTHERWISE SPECIFIED:

0 PLC	±-
1 PLC	±-
2 PLC	±-
3 PLC	±-
4 PLC	±-
ANGLES	±-
FINISH	-

DWN T.MINEMATSU 08JUL2014

CHK E.SASAKI 08APR98

APVD M.TSUKAKOSHI 08APR98

PRODUCT SPEC 108-5603

APPLICATION SPEC

WEIGHT 6.3 g

CUSTOMER DRAWING



NAME

040III MULTILOCK CONNECTOR

24POS CAP HOUSING ASSEMBLY

WIRE TO BOARD (H) TYPE

SIZE A3 CAGE CODE 00779 DRAWING NO C-1123433

RESTRICTED TO

SCALE 2:1 SHEET 1 OF 1 REV A1

## X-ON Electronics

Largest Supplier of Electrical and Electronic Components

*Click to view similar products for [Automotive Connectors](#) category:*

*Click to view products by [TE Connectivity](#) manufacturer:*

Other Similar products are found below :

[003-018-000](#) [60403001](#) [60993906-B](#) [M902-2131](#) [M902-2161](#) [72.330.1035.1](#) [73.353.4028.0](#) [F119300-B](#) [F166900](#) [F258300-B](#) [F358300-B](#)  
[F407400](#) [F444110](#) [F487000](#) [F509500B-B](#) [827153-1](#) [8N1515-32-24P](#) [9-1326729-8](#) [925474-1](#) [928905-1](#) [964562-4](#) [968782-1](#) [GT17SA-8DS-](#)  
[HU](#) [98891-1012](#) [98947-1016](#) [12004147](#) [12004475-L](#) [12010290](#) [12010309-B](#) [12015454](#) [12020219-B](#) [12020308](#) [12041318-B](#) [12052225-L](#)  
[12052466](#) [12059125](#) [12064869](#) [12004327-B](#) [12010503-B](#) [12015308](#) [12015384](#) [12015909](#) [1-21030-1](#) [12041254](#) [12041318](#) [12047946-B](#)  
[12047957](#) [12047957-L](#) [12059473](#) [12066261](#)