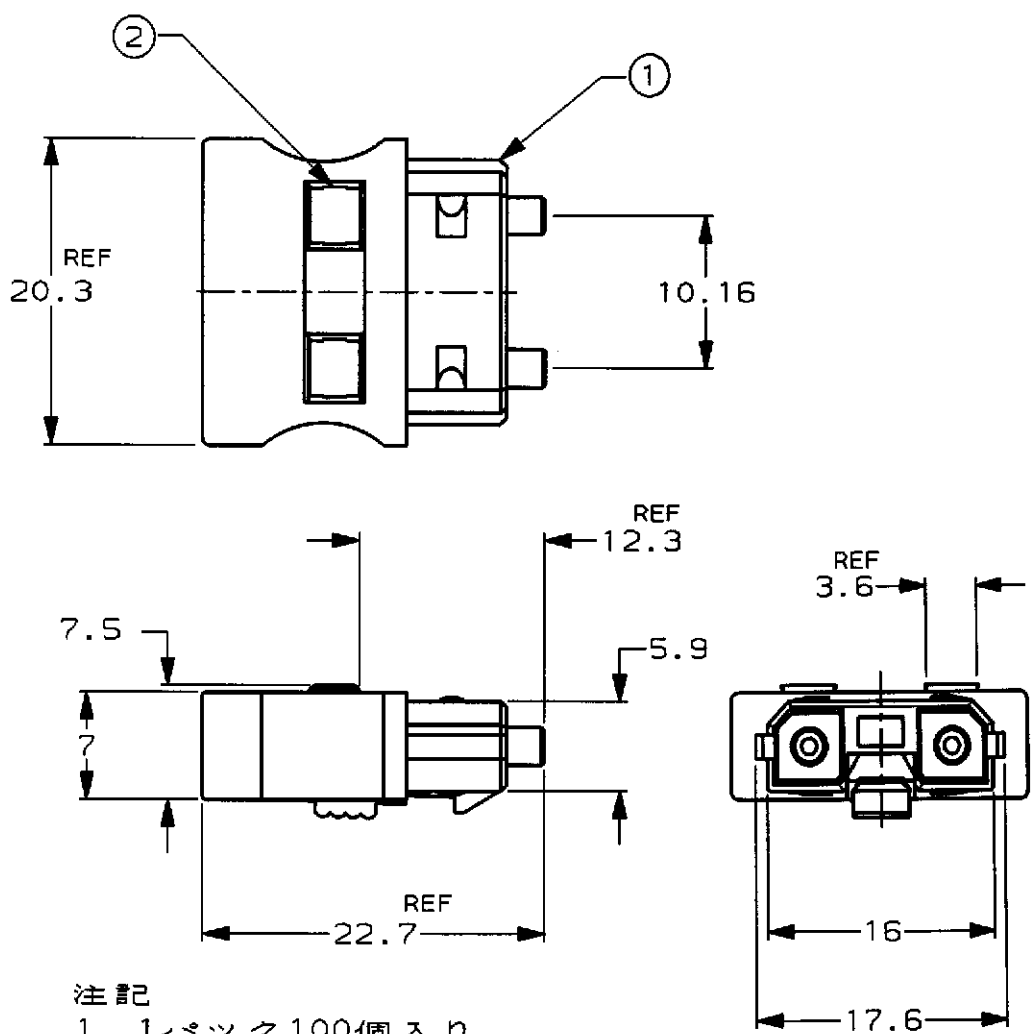


LOC	DIST	REVISONS						
		P	LTR	DESCRIPTION	ECN	DATE	DWN	APVD
J	-		0	RELEASED	FJ00 - 1342 - 97	17-OCT'97	NS	7/7



注記
1. 1パック100個入り

NOTE
1. BULK PACKAGE 100 PIECES.

QTY REQD PER ASSY	数量	PARTS LIST	部品リスト
2		RETAINER	リテーナ ②
1		PLUG HSG	ハウジング ①
-1		NAME	名称 NO. 番号

THIS DRAWING IS UNPUBLISHED. BY AMP INCORPORATED. ALL RIGHTS RESERVED. COPYRIGHT 19

DIMENSIONS 単位 規 mm	DWN N. SUDO	17-OCT'97	MATERIAL 材料	FINISH 仕上
	CHK <i>Ken 7K</i>	24-OCT'97	AMP 日本エー・エム・ピー株式会社 Kawasaki, Japan	
TOLERANCES UNLESS OTHERWISE SPECIFIED. 一般公差 10 _μ : ±0.2 30 _μ : ±0.25 100 _μ : ±0.3 ANGLE : ±0.3°	APVD <i>Ken 7K</i>	24-OCT'97		
	PRODUCT SPEC 製品規格 108-5596	APPLICATION SPEC 取付適用規格 114-5247	SIZE A4	CAGE CODE 00779
	WEIGHT 2.7g		DRAWING NO 番号 C=1123445	SCALE 尺度 2-1
	CUSTOMER DRAWING		SHEET 1 OF 1	REV 0

- [Home](#)
- [Part Number Search](#)
- [Text Search](#)
- [Alternate Part Search](#)
- [Multiple Part Comparison](#)
- [Alphabetical Search](#)
- [Brand Search](#)
- [Industry Product Search](#)
- [Product Type Search](#)
- [Product Family Search](#)
- [Competitor Cross Reference](#)
- [Document Number Search](#)
- [Lead Free Solutions](#)
- [Help/Glossary](#)

Current Brand View	View All Tyco Electronics Brands <small>Click to activate links to all other products</small>
AMP	

Fiber Optic Products

Plastic Fiber Components

AMP 1123445-1 -- 8 of 8 products **Active** [Active](#)

(Tyco Electronics P/N: 1123445-1)

Previous	Sales Information	AMP ACES	Step Search Screen
		Related Documents	General Information
		Pricing	Product Availability

Please use the customer drawing for all design activity.

- **Customer Drawing: 1123445**, Rev. O
Document Title: AMP OPTIMATE PN CONNECTOR

[215702.pdf](#) [215702.pdf](#) (23K)

The photographs and/or line drawings below are representative images of a product for viewing purposes only.

[Product Photo](#)

Searchable Features:	
Brand:	AMP
Product Type:	Connector
Connector Type:	PN [JIS FO7 Modified]
No. of Positions:	Dual
Gender:	Plug
Fiber Size (Micron):	1000
Jacket Outer Diameter (mm [in]):	2.20 [.087]

Other Properties:	
Color:	Black
Housing Material:	Glass-Filled Thermoplastic Polyester
Ferrule Material:	Copper alloy
Ferrule Plating:	Tin

[Copyright](#) and [Privacy Statement](#)

Visit [Tyco International, Ltd.](#)

[Products](#) | [Brands](#) | [Industries](#) | [Customer Service](#) | [About](#) | [Home](#)

X-ON Electronics

Largest Supplier of Electrical and Electronic Components

Click to view similar products for [Fibre Optic Connectors](#) category:

Click to view products by [TE Connectivity](#) manufacturer:

Other Similar products are found below :

[0004700001](#) [6100-R](#) [6313](#) [F709034706](#) [F709722200](#) [F709730000](#) [F718183204](#) [F727403500](#) [F727752800](#) [8119](#) [9440F20-27S-190](#) [944-120-6001](#) [9441F10SL-3S](#) [9444W28-21S](#) [9444W36-10S](#) [9446F10SL-4S](#) [9446W20-16S](#) [953-101-5310-P](#) [954-101-57202B](#) [A0270169](#) [12-9122](#) [12-5702](#) [AX101713](#) [AX102420](#) [AX103923](#) [AX104024](#) [AX104193](#) [AX104230](#) [AX104562](#) [AX105203-B25](#) [AX105205-S1](#) [EHSC2M](#) [181-011-126](#) [181-011-S](#) [181-057-126](#) [HRFC-R2\(40\)](#) [NKSOPBUY](#) [20500002116](#) [2064996-1](#) [20800001065](#) [2170](#) [9132](#) [2612](#) [2620](#) [9291](#) [9440F16-10S](#) [9440F20-18S](#) [9442W14S-10P](#) [9446F16-10S-190](#) [953-106-50231](#)