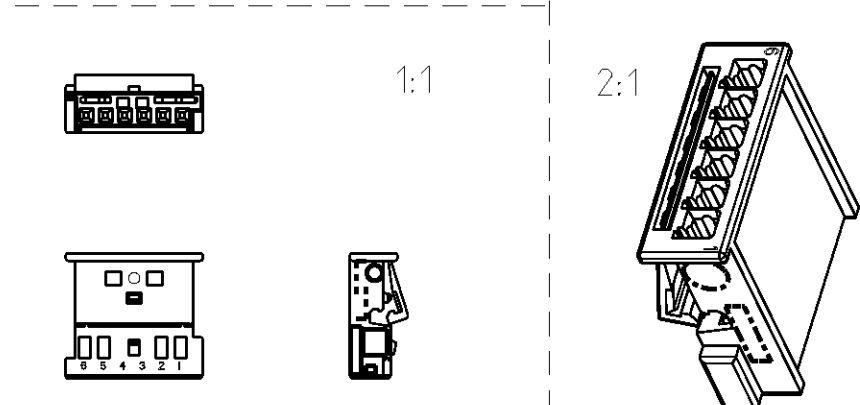
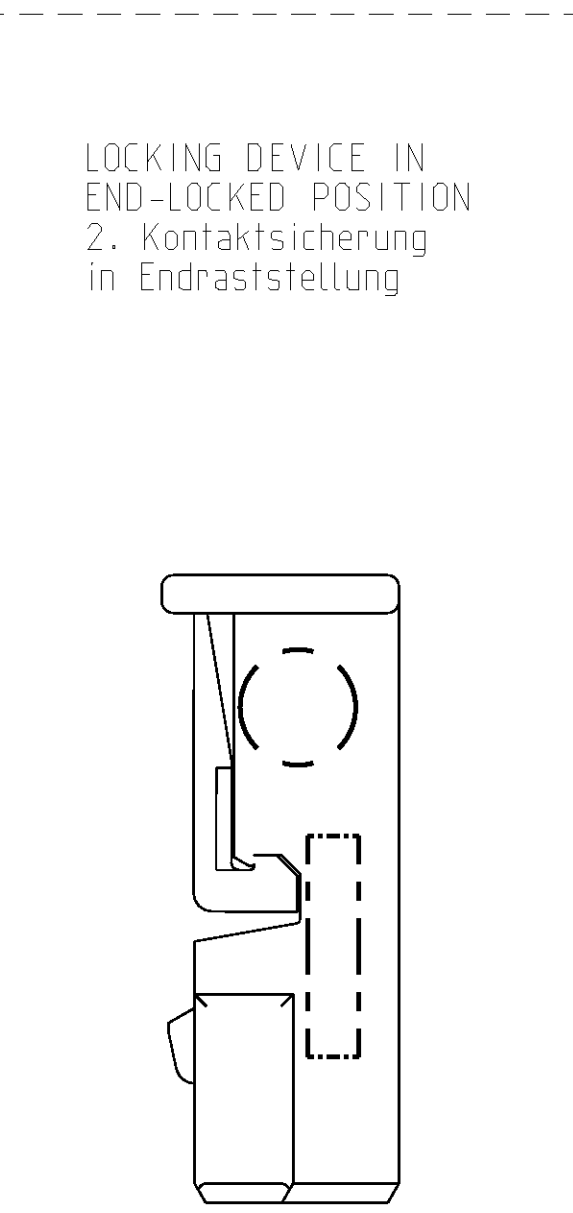
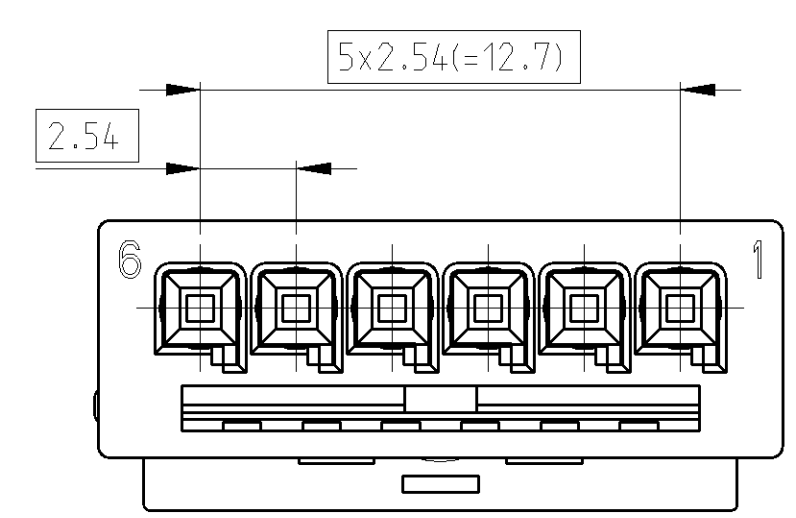
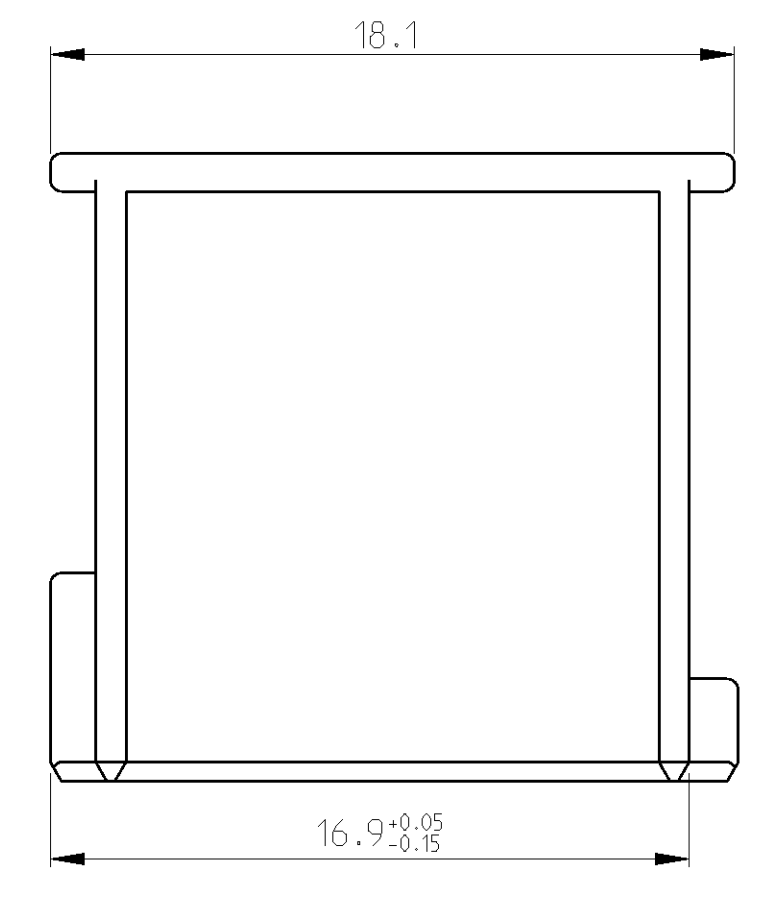
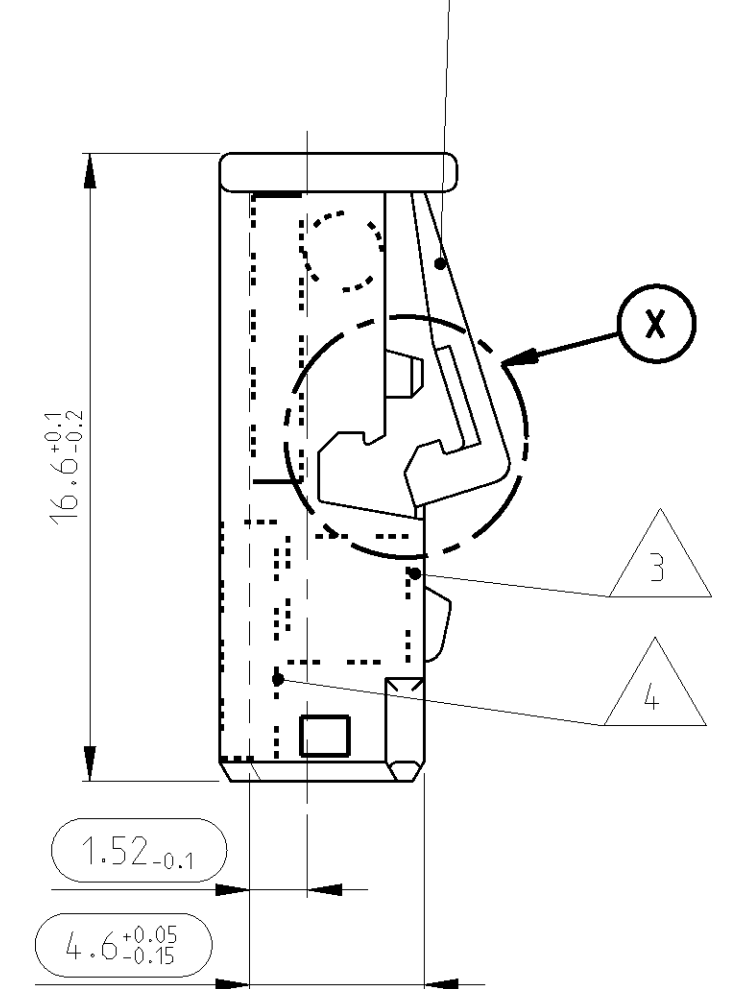
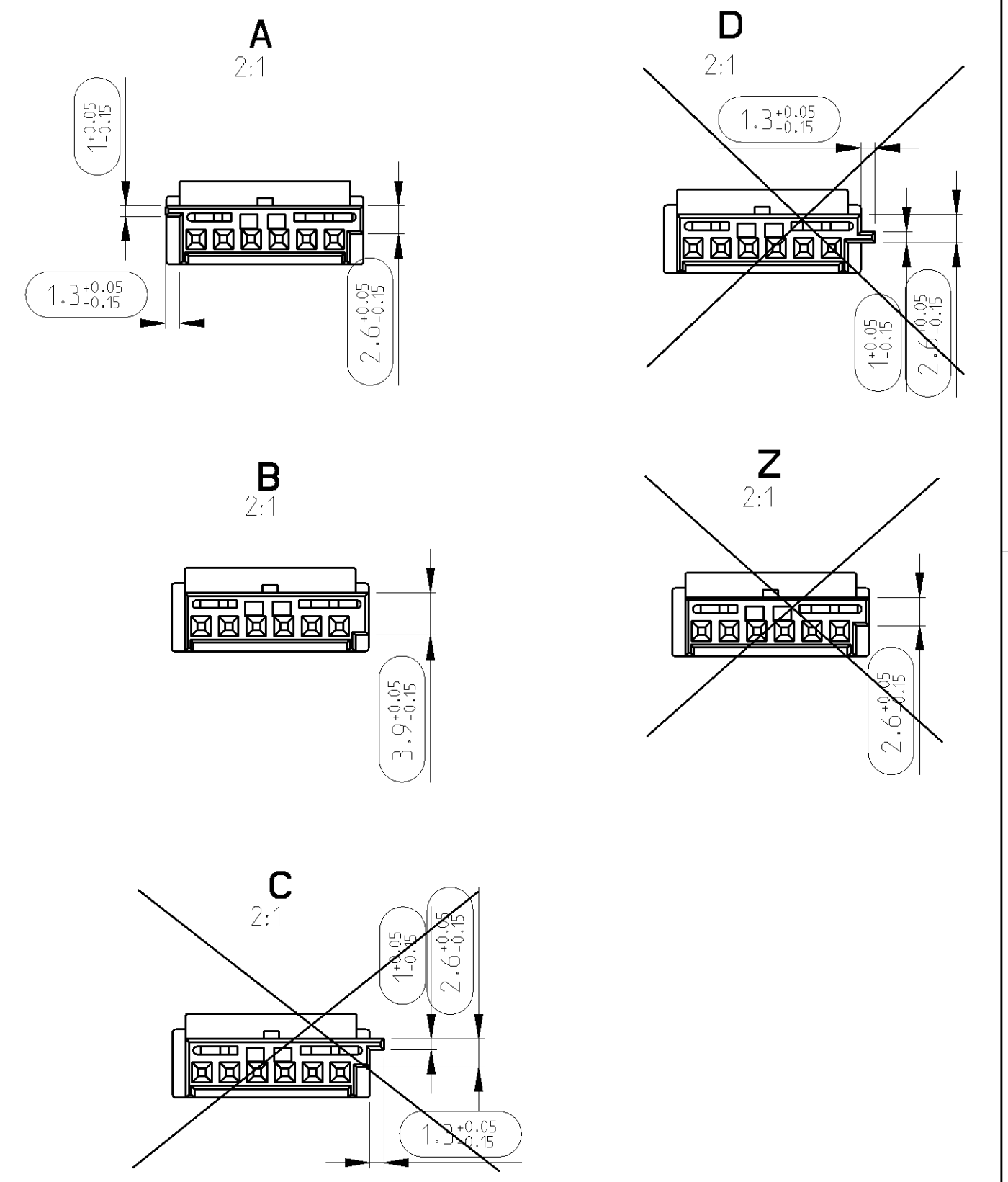


SUPPLY CONDITION:
 LOCKING DEVICE IN PRE-LOCKED POSITION
 Auslieferungszustand:
 2. Kontaktsicherung in Vorraststellung



CODINGS
 Kodierungen

| LOC | DIST | REV | LTN | REVISIONS ÄNDERUNGEN DESCRIPTION BESCHREIBUNG | DATE | DWN | APVD |
|-----|------|-----|-----|--|------------|-----|------|
| A1 | - | A | | Neue Zeichnung | 26.JUN2001 | MMD | HHC |
| | | B | | Note 1 modified | 27.JUL2006 | HHC | HHC |
| | | C | | Coding B added | 27.MAY2008 | SBL | HHC |
| | | D | | Design locking device optimized (see Detail XI) | 09.NOV2011 | SBL | HHC |



NOTES:
 Bemerkungen:

- INTERFACE SPECIFICATION FOR USEABLE MATING PART ACCORDING TE Connectivity DRAWING 114-18063-148 Kragenschluss des Gegenstückes nach TE Connectivity Ausführungsvorschrift 114-18063-148
- CAVITY ACCORDING TO MOS-CONTACT. USUAL APPLICATION SEE Tyco Electronics TB NO 929454. MAX. USABLE WIDE RANGE 0.75mm² FLR PERMITTED. QUANTITY SEE WIRE HARNESS DRAWING. MAX. PERMITTED AMPERAGE FOR SINGLE CONTACTS SEE MOS-SPECIFICATION 108-18030-0. Kammer passend für MOS-Buchsenkontakt, normale Anwendung siehe Tyco Electronics Tab-Zeichnung 929454 max. zulässiger Leitungsquerschnitt 0.75 mm² FLR, die Stückzahl ist im Leitungssatz festgelegt. Die zulässige Strombelastbarkeit der einzelnen Kontakte siehe MOS-Spezifikation 108-18030-0
- TE Connectivity MARK, DEEP
TE Connectivity Kennzeichnung, vertieft
- TE Connectivity NUMBER, DEEP
TE Connectivity Nummer, vertieft
- POSITION FOR MATERIAL IDENTIFICATION, DATE INSERT AND ORDER-NO. ARE UP TO MANUFACTURER
Lage der Materialkennzeichnung, Datumsuhr und Bestellnummern ist dem Hersteller überlassen
- ONLY THE GERMAN LANGUAGE VERSION AUTHORITY
Maßgebend ist der deutsche Text

| Z | D | C | B | A | COD. |
|--|------------------------------------|-------------------------------|-----------------------|---------------------------|---------------------------|
| - | - | - | 2-1241370-3 | 1-1241370-3 | TE Connectivity ORDER NO. |
| - | - | - | SOCKET HOUSING, 6POS. | SOCKET HOUSING, 6POS. | REV. |
| PBT-GF10 | PBT-GF10 | PBT-GF10 | PBT-GF10 | PBT-GF10 | DESCRIPTION |
| WATERBLUE/Wasserblau SIMILAR RAL 5021 | VIOLET/violett SIMILAR RAL 4004 | BLUE/Blau SIMILAR RAL 5012 | NATURE | BLACK/Schwarz RAL 9011 | MATERIAL |
| | | | | SURFACE COLOUR | |

| TOLERANCING ISO 8015 TOLERIERUNG ISO 8015 | |
|---|--|
| TOLERANCES UNLESS OTHERWISE SPECIFIED ACC. TO DIN 16901-10.0 ENTIRE TO NOMINAL DIMENSION. EDITION 1992-11. SIMILAR APPLIC. Feinmaßtoleranzen nach DIN 16901-10.0. Es gilt die Ausgabe 1992-11. | |
| THIS DRAWING IS A CONTROLLED DOCUMENT. DIESE ZEICHNUNG WIRD ALS KONTROLLIERTES DOKUMENT ANGEWANDEN. DIESES ZEICHNUNG WIRD ALS KONTROLLIERTES DOKUMENT ANGEWANDEN. DIESE ZEICHNUNG WIRD ALS KONTROLLIERTES DOKUMENT ANGEWANDEN. | |
| MASSENHEITEN (mm) | TOLERANCES UNLESS OTHERWISE SPECIFIED (mm) |
| 0 PLC | ±0.1 |
| 1 PLC | ±0.15 |
| 2 PLC | ±0.2 |
| 3 PLC | ±0.3 |
| 4 PLC | ±0.4 |
| 5 PLC | ±0.5 |
| 6 PLC | ±0.6 |
| 7 PLC | ±0.7 |
| 8 PLC | ±0.8 |
| 9 PLC | ±0.9 |
| 10 PLC | ±1.0 |
| 11 PLC | ±1.2 |
| 12 PLC | ±1.5 |
| 13 PLC | ±2.0 |
| 14 PLC | ±2.5 |
| 15 PLC | ±3.0 |
| 16 PLC | ±4.0 |
| 17 PLC | ±5.0 |
| 18 PLC | ±6.0 |
| 19 PLC | ±8.0 |
| 20 PLC | ±10.0 |
| 21 PLC | ±12.0 |
| 22 PLC | ±15.0 |
| 23 PLC | ±20.0 |
| 24 PLC | ±25.0 |
| 25 PLC | ±30.0 |
| 26 PLC | ±40.0 |
| 27 PLC | ±50.0 |
| 28 PLC | ±60.0 |
| 29 PLC | ±80.0 |
| 30 PLC | ±100.0 |
| 31 PLC | ±120.0 |
| 32 PLC | ±150.0 |
| 33 PLC | ±200.0 |
| 34 PLC | ±250.0 |
| 35 PLC | ±300.0 |
| 36 PLC | ±400.0 |
| 37 PLC | ±500.0 |
| 38 PLC | ±600.0 |
| 39 PLC | ±800.0 |
| 40 PLC | ±1000.0 |
| 41 PLC | ±1200.0 |
| 42 PLC | ±1500.0 |
| 43 PLC | ±2000.0 |
| 44 PLC | ±2500.0 |
| 45 PLC | ±3000.0 |
| 46 PLC | ±4000.0 |
| 47 PLC | ±5000.0 |
| 48 PLC | ±6000.0 |
| 49 PLC | ±8000.0 |
| 50 PLC | ±10000.0 |
| 51 PLC | ±12000.0 |
| 52 PLC | ±15000.0 |
| 53 PLC | ±20000.0 |
| 54 PLC | ±25000.0 |
| 55 PLC | ±30000.0 |
| 56 PLC | ±40000.0 |
| 57 PLC | ±50000.0 |
| 58 PLC | ±60000.0 |
| 59 PLC | ±80000.0 |
| 60 PLC | ±100000.0 |
| 61 PLC | ±120000.0 |
| 62 PLC | ±150000.0 |
| 63 PLC | ±200000.0 |
| 64 PLC | ±250000.0 |
| 65 PLC | ±300000.0 |
| 66 PLC | ±400000.0 |
| 67 PLC | ±500000.0 |
| 68 PLC | ±600000.0 |
| 69 PLC | ±800000.0 |
| 70 PLC | ±1000000.0 |
| 71 PLC | ±1200000.0 |
| 72 PLC | ±1500000.0 |
| 73 PLC | ±2000000.0 |
| 74 PLC | ±2500000.0 |
| 75 PLC | ±3000000.0 |
| 76 PLC | ±4000000.0 |
| 77 PLC | ±5000000.0 |
| 78 PLC | ±6000000.0 |
| 79 PLC | ±8000000.0 |
| 80 PLC | ±10000000.0 |
| 81 PLC | ±12000000.0 |
| 82 PLC | ±15000000.0 |
| 83 PLC | ±20000000.0 |
| 84 PLC | ±25000000.0 |
| 85 PLC | ±30000000.0 |
| 86 PLC | ±40000000.0 |
| 87 PLC | ±50000000.0 |
| 88 PLC | ±60000000.0 |
| 89 PLC | ±80000000.0 |
| 90 PLC | ±100000000.0 |
| 91 PLC | ±120000000.0 |
| 92 PLC | ±150000000.0 |
| 93 PLC | ±200000000.0 |
| 94 PLC | ±250000000.0 |
| 95 PLC | ±300000000.0 |
| 96 PLC | ±400000000.0 |
| 97 PLC | ±500000000.0 |
| 98 PLC | ±600000000.0 |
| 99 PLC | ±800000000.0 |
| 100 PLC | ±1000000000.0 |

| TE Connectivity | |
|------------------------|---|
| NAME | MOS SOCKET HOUSING, 6POS MOS Buchsengehäuse, 6pol. |
| SIZE | A1 |
| CASE CODE | 00779 |
| DRAWING NO. | 1241370 |
| RESTRICTED TO NEW FLER | - |
| SCALE | 5:1 |
| SHEET | 1 |
| OF | 1 |
| REV | D |

X-ON Electronics

Largest Supplier of Electrical and Electronic Components

Click to view similar products for [Automotive Connectors](#) category:

Click to view products by [TE Connectivity](#) manufacturer:

Other Similar products are found below :

[003-018-000](#) [60403001](#) [60993906-B](#) [M902-2131](#) [M902-2161](#) [M902-2344](#) [72.330.1035.1](#) [73.353.4028.0](#) [F119300-B](#) [F166900](#) [F258300-B](#)
[F358300-B](#) [F407400](#) [F444110](#) [F487000](#) [F509500B-B](#) [827153-1](#) [8N1515-32-24P](#) [9-1326729-8](#) [925474-1](#) [928905-1](#) [964562-4](#) [968782-1](#)
[GT17SA-8DS-HU](#) [98891-1012](#) [98947-1016](#) [12004147](#) [12004475-L](#) [12010290](#) [12010309-B](#) [12015454](#) [12020219-B](#) [12041318-B](#) [12052225-](#)
[L](#) [12052466](#) [12064869](#) [12004327-B](#) [12015308](#) [12015384](#) [12015909](#) [1-21030-1](#) [12041254](#) [12041318](#) [12047946-B](#) [12047957](#) [12047957-L](#)
[12059473](#) [12066261](#) [12110546](#) [12110546-B](#)