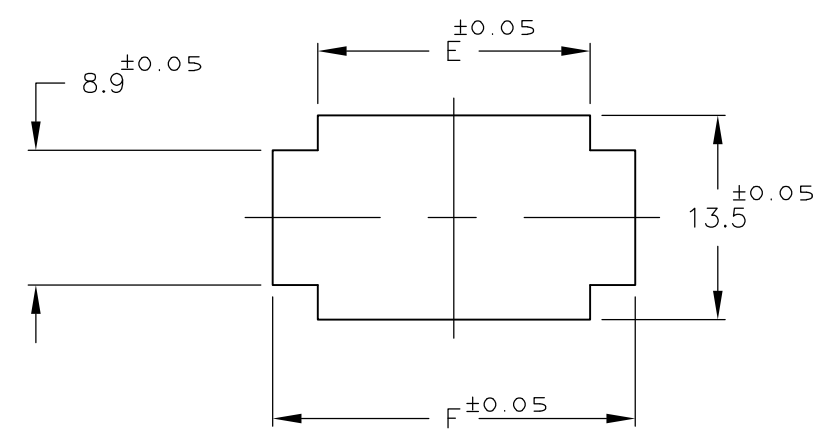


THIS DRAWING IS UNPUBLISHED. RELEASED FOR PUBLICATION
 © COPYRIGHT 2014 Tyco Electronics Japan G.K. ALL RIGHTS RESERVED.

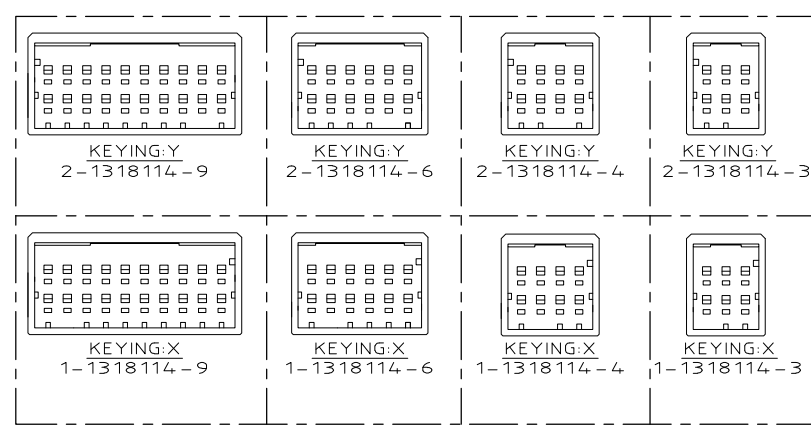
| LOC | DIST | REVISIONS | | | |
|-----|------|-------------|---------|-----------|---------|
| P | LTR | DESCRIPTION | DATE | DWN | APVD |
| J | ZDI | B | REVISED | 06JUN2014 | H.O N.Y |

- 注記
- 材料：ハウジング：ガラス入り熱可塑性ポリエステル（94V-0），色：黒
 - 金属パネルの場合、コネクタ取付け方向をパンチ加工方向にしてください。
 - プラスチックパネルの場合、穴端部にRなき様ご配慮ください。
 - ~~ハウジング全面にテフロン塗装の事。~~

- NOTES
- MATERIAL:HOUSING:GLASS FILED THERMO PLASTIC ,POLYESTER(94V-0),COLOR:BLACK
 - INSERT CONN FROM PRESS DIRECTION SIDE FOR METAL PANEL.
 - EDGE OF THICKNESS WAY MUST NOT ROUND FOR MOLDED PANEL.
 - ~~TO COAT ALL SURFACE OF HOUSING WITH TEFLON.~~



パネル加工推奨寸法図
 RECOMMENDED PANEL LAYOUT
 (適用パネル厚：0.8-2.0)
 (APPLICABLE PANEL THICKNESS:0.8-2.0)

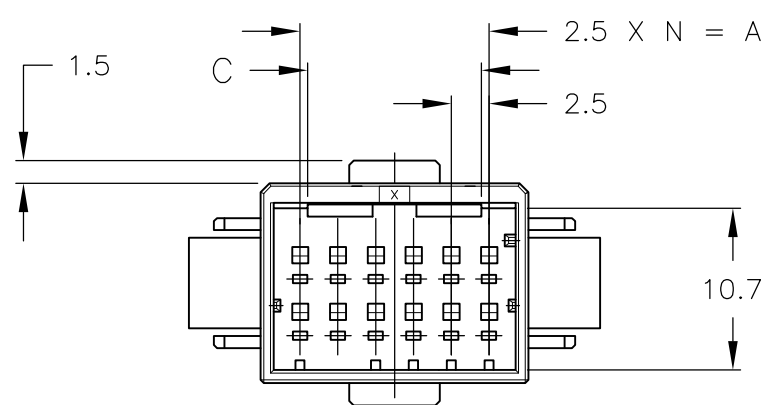
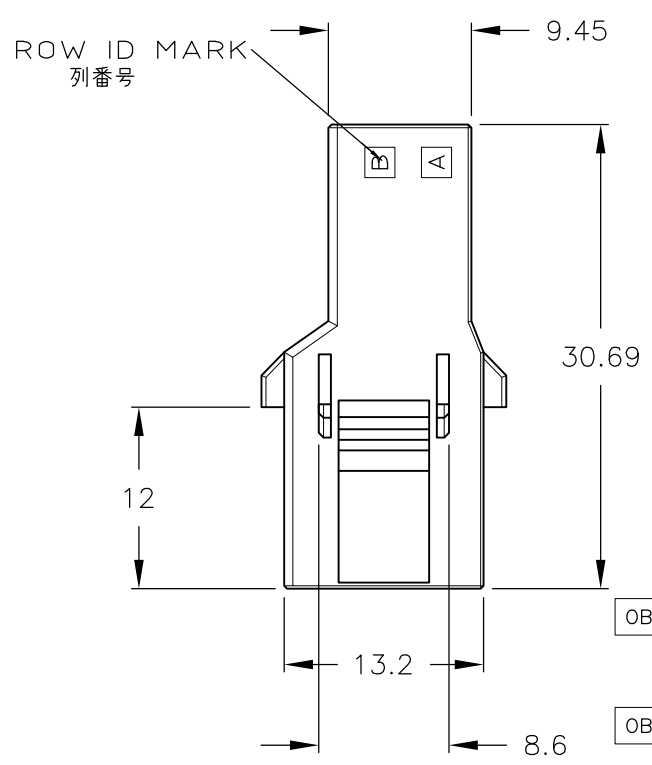
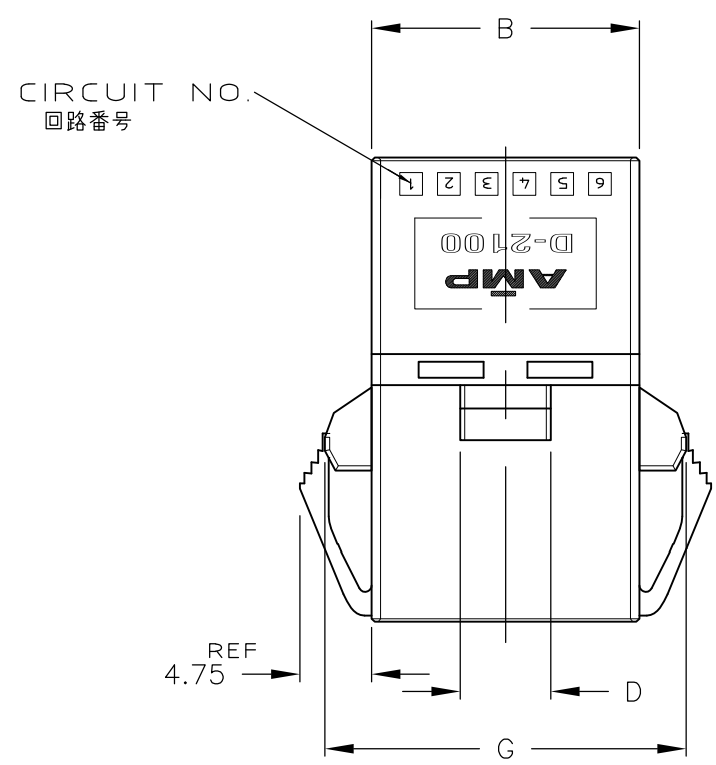
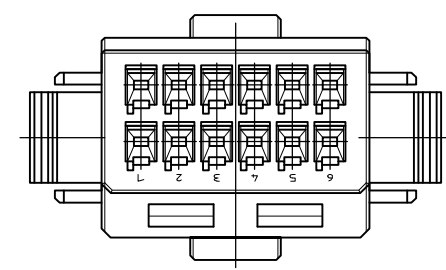


TOLERANCES UNLESS OTHERWISE SPECIFIED:

一般公差

| | | |
|--------|-------|-------|
| 30 IN | 10 IN | ±0.3 |
| 100 IN | >10 | ±0.35 |
| | >30 | ±0.4 |
| | ANGLE | ±3° |

| OBSOLETE | △ | 22.5 | 27.7 | 11.5 | 6 | 28 | 34.0 | 33.88 | 9 | 20 | 5-1318114-9 |
|----------|---|------|------|------|---|------|------|-------|---|-----|-------------|
| | - | 22.5 | 27.7 | 11.5 | 6 | 28 | 34.0 | 33.88 | 9 | 20 | 2-1318114-9 |
| | - | 22.5 | 27.7 | 11.5 | 6 | 28 | 34.0 | 33.88 | 9 | 20 | 1-1318114-9 |
| OBSOLETE | △ | 12.5 | 17.7 | 11.5 | 6 | 18 | 24.0 | 23.88 | 5 | 12 | 5-1318114-6 |
| | - | 12.5 | 17.7 | 11.5 | 6 | 18 | 24.0 | 23.88 | 5 | 12 | 2-1318114-6 |
| | - | 12.5 | 17.7 | 11.5 | 6 | 18 | 24.0 | 23.88 | 5 | 12 | 1-1318114-6 |
| OBSOLETE | △ | 7.5 | 12.7 | 4 | 4 | 13 | 19.0 | 18.88 | 3 | 8 | 5-1318114-4 |
| | - | 7.5 | 12.7 | 4 | 4 | 13 | 19.0 | 18.88 | 3 | 8 | 2-1318114-4 |
| | - | 7.5 | 12.7 | 4 | 4 | 13 | 19.0 | 18.88 | 3 | 8 | 1-1318114-4 |
| OBSOLETE | △ | 5 | 10.2 | 4 | 4 | 10.5 | 16.5 | 16.38 | 2 | 6 | 5-1318114-3 |
| | - | 5 | 10.2 | 4 | 4 | 10.5 | 16.5 | 16.38 | 2 | 6 | 2-1318114-3 |
| | - | 5 | 10.2 | 4 | 4 | 10.5 | 16.5 | 16.38 | 2 | 6 | 1-1318114-3 |
| FINISH | | A | B | C | D | E | F | G | N | POS | P/N |



THIS DRAWING IS A CONTROLLED DOCUMENT.

DWN K.IKEDA 7/DEV/'98
 CHK N.MATSUBARA 7/DEC/'98
 APVD I.HASEGAWA 7/DECC/'98

STE TE Connectivity

2列 タブ ハウジング パネルマウント タイプ
 DOUBLE ROW TAB (PANEL MOUNT)
 DYNAMIC D2100D

108-5619
 APPLICATION SPEC

114-5258
 WEIGHT -

A300779 C-1318114

CUSTOMER DRAWING SCALE 2:1 SHEET 1 OF 1 REV B

X-ON Electronics

Largest Supplier of Electrical and Electronic Components

Click to view similar products for [Headers & Wire Housings](#) category:

Click to view products by [TE Connectivity](#) manufacturer:

Other Similar products are found below :

[892-18-020-10-001101](#) [58102-G61-06LF](#) [582553-1](#) [0009485154](#) [009176003701906](#) [0050291907](#) [LY20-4P-DT1-P1E-BR](#) [02.125.8002.8](#)
[609-3404](#) [61062-3](#) [61082-181009](#) [622-3653LF](#) [63453-116](#) [636-1030](#) [636-1427](#) [636-3427](#) [636-4007](#) [641938-9](#) [641991-4](#) [644827-2](#) [65817-](#)
[010LF](#) [65817-015LF](#) [65863-015LF](#) [66207-023LF](#) [67095-007LF](#) [67601157](#) [68645-018](#) [68648-049](#) [70.362.1628.0](#) [70-4210](#) [70-4226B](#) [70-](#)
[4853B](#) [707-5020](#) [707-5028](#) [71.350.2428.0](#) [71918-208LF](#) [71961-016LF](#) [733-134](#) [733-162](#) [754199-000](#) [760-3052](#) [787-8014-00](#) [79531-3000](#)
[FCN-360C032-B](#) [FCN-367T-T012/H](#) [FCN-723D010/2](#) [80.063.4001.1](#) [800-90-001-10-001000](#) [800-90-010-10-002000](#) [801-43-002-10-013000](#)