

THIS DRAWING IS UNPUBLISHED. RELEASED FOR PUBLICATION .1998
 © COPYRIGHT 1998 BY AMP INCORPORATED. ALL RIGHTS RESERVED.

LOC	DIST	REVISIONS						
J	ZDI	P	LTR	DESCRIPTION	ECN	DATE	DWN	APVD
			A	REVISED	FJ00-1080-00	21/SEP '00	Y.K	S.M
			A1	ADD P/N.	FJ00-1259-00	11/OCT '00	D.M	S.M
			A2	OBSOLETE P/N.	ECR-08-006764	14/MAR 2008	Y.Y	D.M

注記

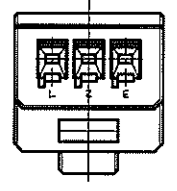
① 材料:ハウジング:ガラス入り熱可塑性ポリエステル樹脂(94V-0),色:黒

~~② ハウジング全面にテフロン塗装のこと~~

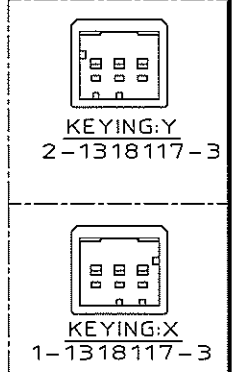
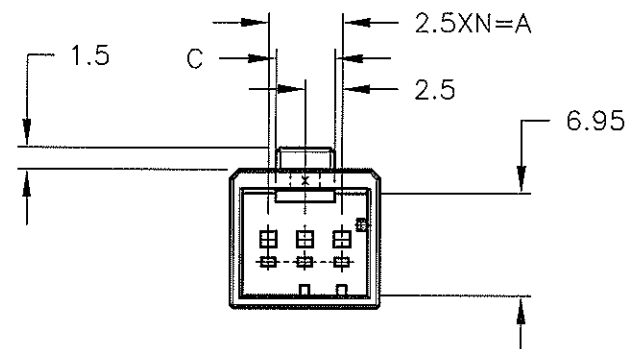
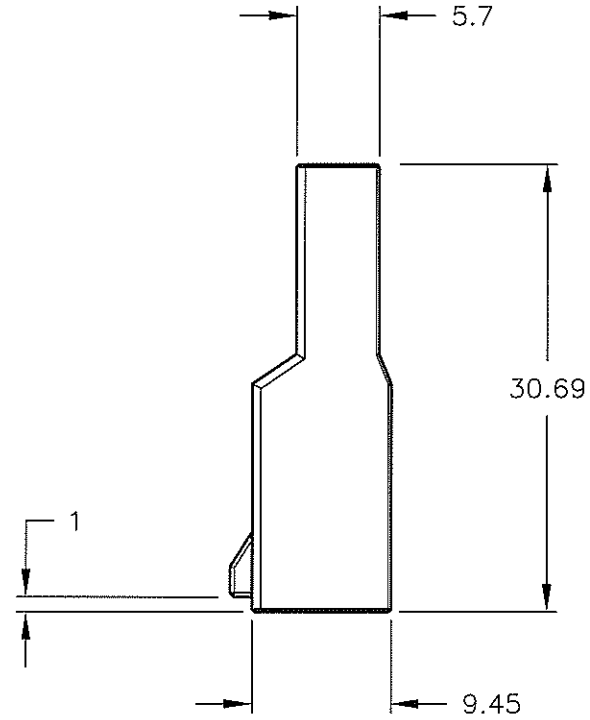
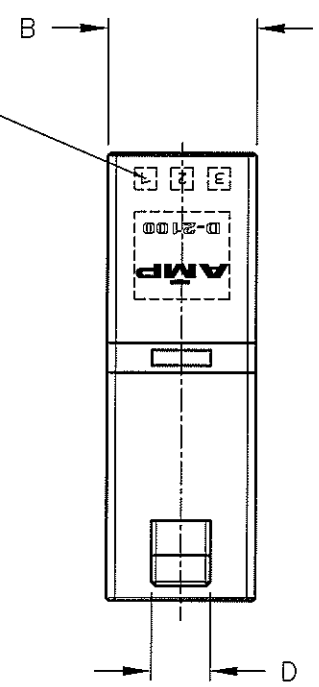
NOTES

① MATERIAL:HOUSING:GLASS FILED THERMO PLASTIC
 ,POLYESTER(94V-0),COLOR:BLACK

~~② TO COAT ALL SURFACE OF HOUSING WITH TEFLON~~



CIRCUIT NO.
回路番号



OBSOLETE	①	5	10.2	4	4	2	3	5-1318117-3
		5	10.2	4	4	2	3	2-1318117-3
		5	10.2	4	4	2	3	1-1318117-3
FINISH		A	B	C	D	N	POS	P/N

THIS DRAWING IS A CONTROLLED DOCUMENT FOR AMP INCORPORATED. IT IS SUBJECT TO CHANGE AND THE CONTROLLING ENGINEERING ORGANIZATION SHOULD BE CONTACTED FOR THE LATEST REVISION.		DWN K.IKEDA 7/DEC/98 CHK N.MATSUBARA 7/DEC/98 APVD I.HASEGAWA 7/DEC/98	Tyco Electronics Corporation Kawasaki, Japan		
DIMENSIONS: 単位 種 mm	TOLERANCES UNLESS OTHERWISE SPECIFIED 一般公差 10% : ±0.3 30% > 10 : ±0.35 10% > 30 : ±0.4 ANGLE : ±3°	PRODUCT SPEC 108-5619 APPLICATION SPEC 114-5258 WEIGHT T1	NAME 1列タブハウジング 名称 フリーハンギングタイプ SINGLE ROW TAB HSG (FREE HANGING) <DYNAMIC D-2100D>		
MATERIAL 材料 ①	FINISH 仕上	SIZE A3 CAGE CODE 00779 DRAWING NO. C-1318117 RESTRICTED TO -	CUSTOMER DRAWING SCALE 2-1 SHEET 1 OF 1 REV A2		

X-ON Electronics

Largest Supplier of Electrical and Electronic Components

Click to view similar products for [Headers & Wire Housings](#) category:

Click to view products by [TE Connectivity](#) manufacturer:

Other Similar products are found below :

[892-18-020-10-001101](#) [58102-G61-06LF](#) [582553-1](#) [0009485154](#) [009176003701906](#) [0050291907](#) [LY20-4P-DT1-P1E-BR](#) [02.125.8002.8](#)
[609-3404](#) [61062-3](#) [61082-181009](#) [622-3653LF](#) [63453-116](#) [636-1030](#) [636-1427](#) [636-3427](#) [636-4007](#) [641938-9](#) [641991-4](#) [644827-2](#) [65817-010LF](#) [65817-015LF](#) [65863-015LF](#) [66207-023LF](#) [67095-007LF](#) [67601157](#) [68645-018](#) [68648-049](#) [70.362.1628.0](#) [70-4210](#) [70-4226B](#) [70-4853B](#) [707-5020](#) [707-5028](#) [71.350.2428.0](#) [71918-208LF](#) [71961-016LF](#) [733-134](#) [733-162](#) [754199-000](#) [760-3052](#) [787-8014-00](#) [79531-3000](#)
[FCN-360C032-B](#) [FCN-367T-T012/H](#) [FCN-723D010/2](#) [80.063.4001.1](#) [800-90-001-10-001000](#) [800-90-010-10-002000](#) [801-43-002-10-013000](#)