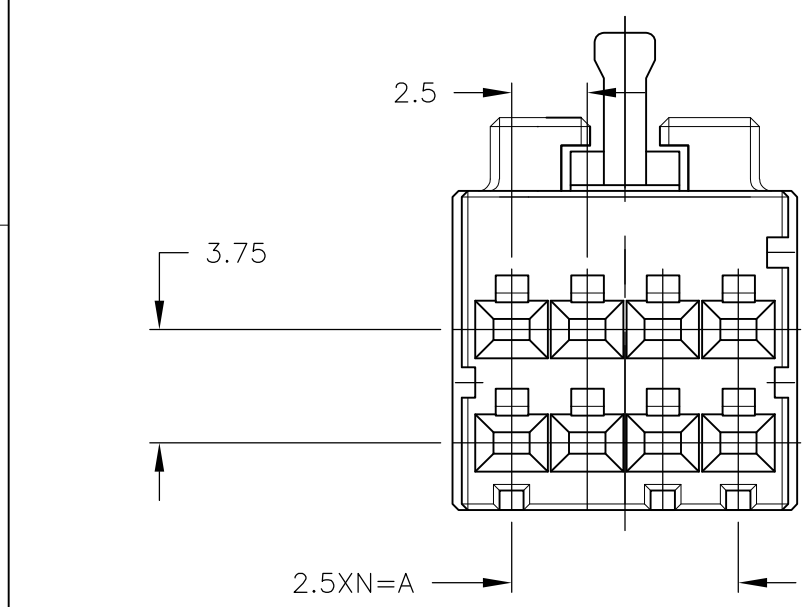
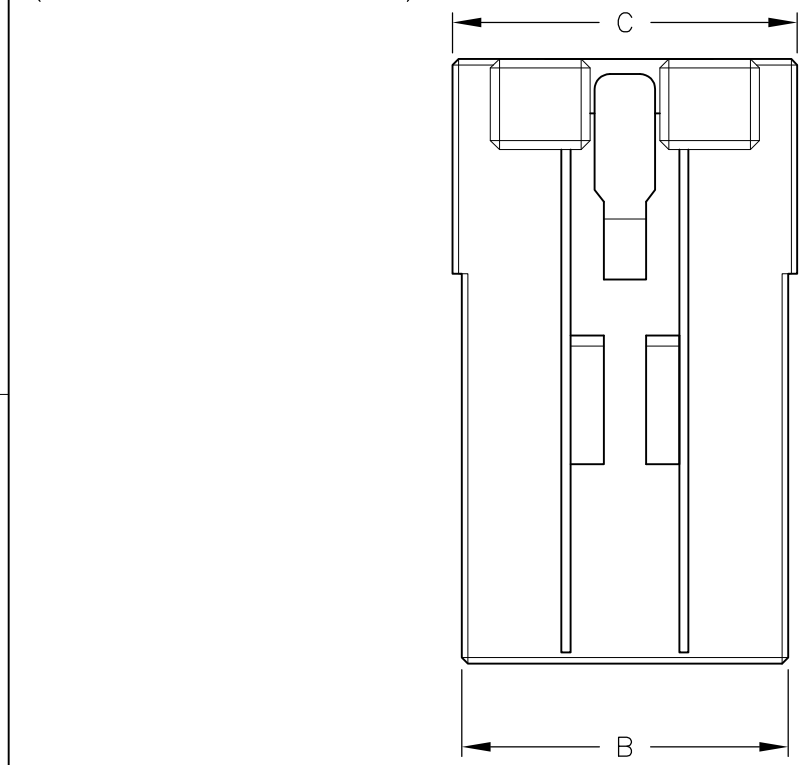
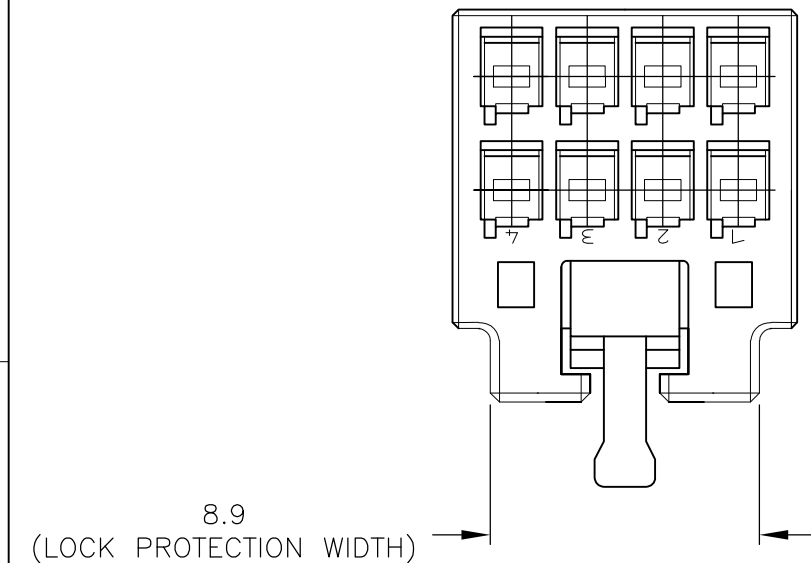


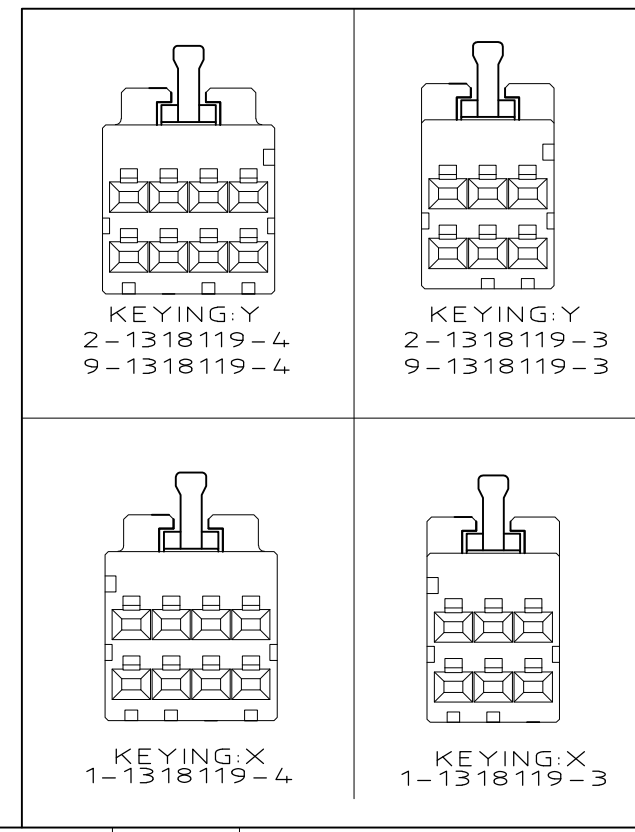
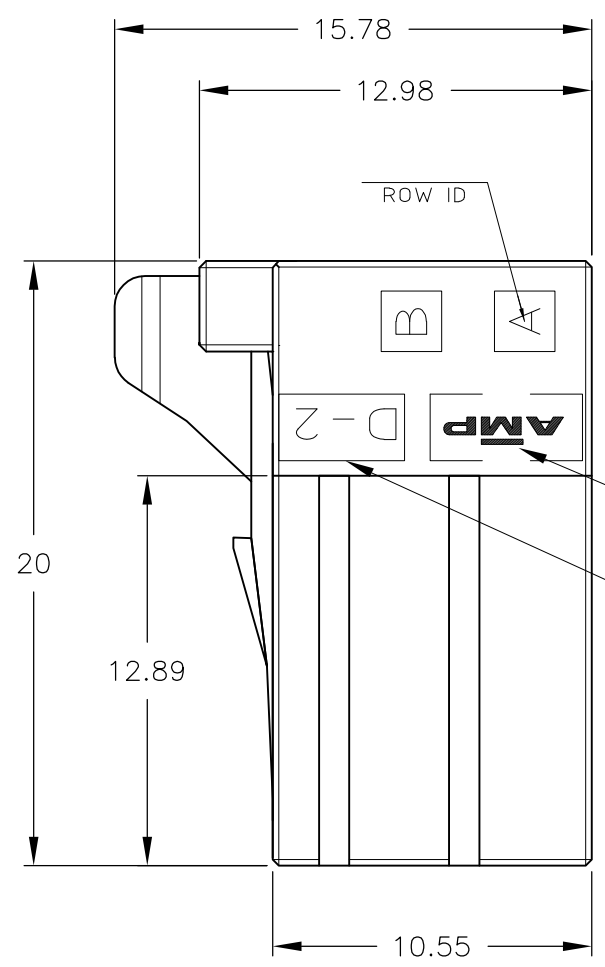
THIS DRAWING IS UNPUBLISHED. RELEASED FOR PUBLICATION
 © COPYRIGHT 2012 By Tyco Electronics Japan G.K. ALL RIGHTS RESERVED.

LOC	DIST	REVISIONS			
P	LTR	DESCRIPTION	DATE	DWN	APVD
J	—	E	REVISED	27JUN2012	H.M N.Y
		F	REVISED	17APR2015	H.O N.Y

NOTES
 1 MATERIAL:HOUSING:GLASS FILED THERMO PLASTIC
 ,POLYESTER(94V-0),
 COLOR:1-/2- : BLACK
 : 9- : NATURAL
 2 TO COAT ALL SURFACE OF HOUSING WITH TEFLON



KEY LOCATION VIEW
 2-1318119-4
 (KEYING Y)



OBSOLETE	2	11.4	10.8	7.5	3	8	5-1318119-4
	—	11.4	10.8	7.5	3	8	9-1318119-4 2-1318119-4
	—	11.4	10.8	7.5	3	8	1-1318119-4
OBSOLETE	2	8.9	8.3	5	2	6	5-1318119-3
	—	8.9	8.3	5	2	6	9-1318119-3 2-1318119-3
	—	8.9	8.3	5	2	6	1-1318119-3
FINISH		C	B	A	N	POS	PART NUMBER

THIS DRAWING IS A CONTROLLED DOCUMENT.

DWN	K.IKEDA	07DEC1998	STE TE Connectivity
CHK	N.MATSUBARA	07DEC1998	
APVD	I.HASEGAWA	07DEC1998	
NAME	DOUBLE ROW REC HSG DYNAMIC D-2100D		
PRODUCT SPEC	108-5619		RESTRICTED TO
APPLICATION SPEC	114-5258		
WEIGHT	A300779		SIZE
CUSTOMER DRAWING			CAGE CODE
			DRAWING NO
			RESTRICTED TO
			SCALE
			SHEET
			REV

X-ON Electronics

Largest Supplier of Electrical and Electronic Components

Click to view similar products for [Headers & Wire Housings](#) category:

Click to view products by [TE Connectivity](#) manufacturer:

Other Similar products are found below :

[892-18-020-10-001101](#) [58102-G61-06LF](#) [582553-1](#) [0009485154](#) [009176003701906](#) [0050291907](#) [LY20-4P-DT1-P1E-BR](#) [02.125.8002.8](#)
[609-3404](#) [61062-3](#) [61082-181009](#) [622-3653LF](#) [63453-116](#) [636-1030](#) [636-1427](#) [636-3427](#) [636-4007](#) [641938-9](#) [641991-4](#) [644827-2](#) [65817-](#)
[010LF](#) [65817-015LF](#) [65863-015LF](#) [66207-023LF](#) [67095-007LF](#) [67601157](#) [68645-018](#) [68648-049](#) [70.362.1628.0](#) [70-4210](#) [70-4226B](#) [70-](#)
[4853B](#) [707-5020](#) [707-5028](#) [71.350.2428.0](#) [71918-208LF](#) [71961-016LF](#) [733-134](#) [733-162](#) [754199-000](#) [760-3052](#) [787-8014-00](#) [79531-3000](#)
[FCN-360C032-B](#) [FCN-367T-T012/H](#) [FCN-723D010/2](#) [80.063.4001.1](#) [800-90-001-10-001000](#) [800-90-010-10-002000](#) [801-43-002-10-013000](#)