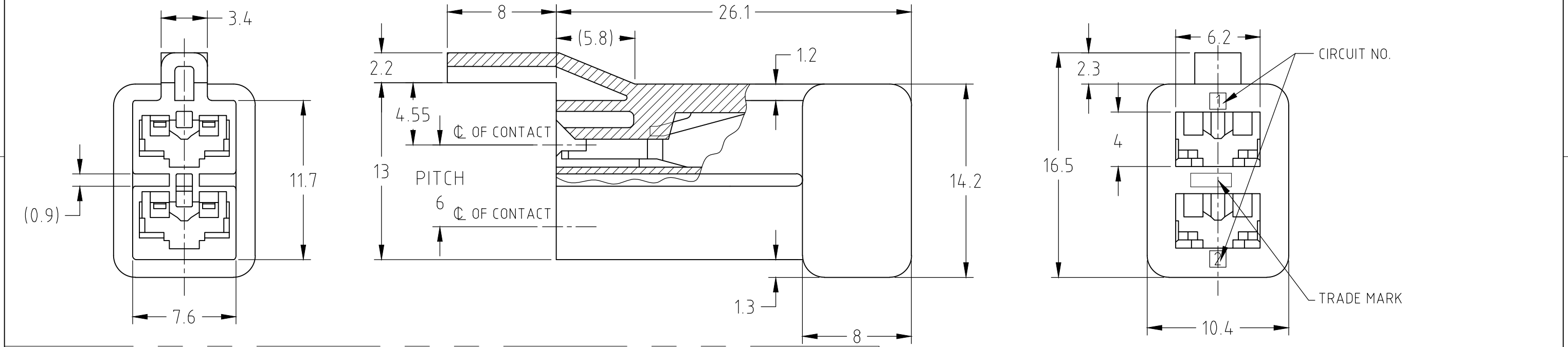
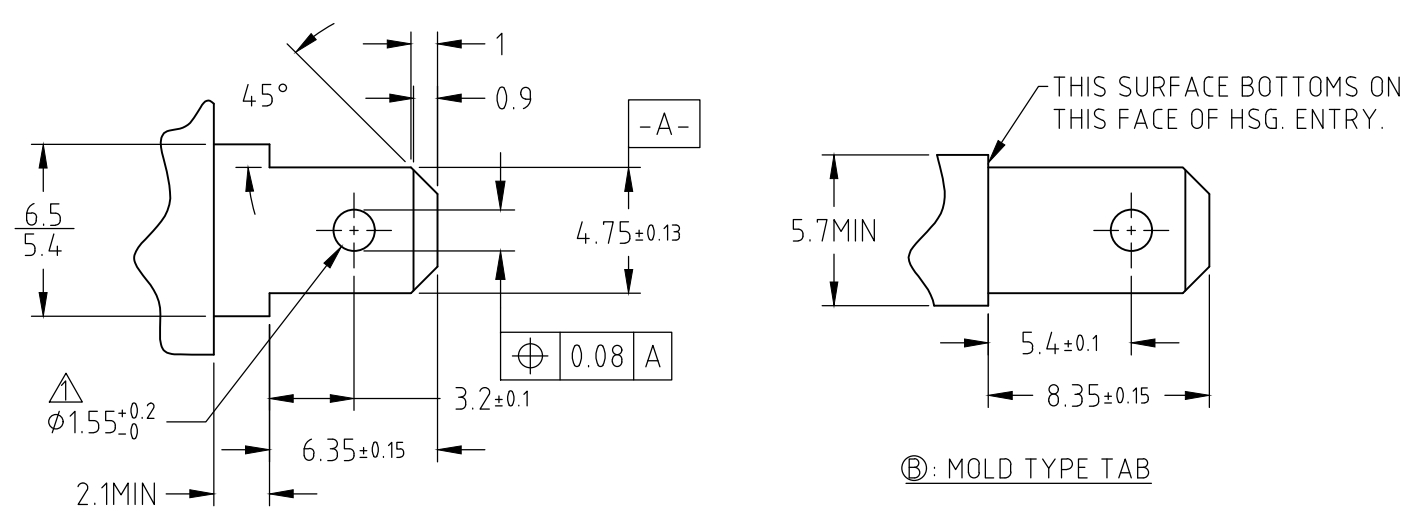


THIS DRAWING IS UNPUBLISHED. RELEASED FOR PUBLICATION
 © COPYRIGHT - By - ALL RIGHTS RESERVED.

LOC	DIST	REVISIONS			
P	LTR	DESCRIPTION	DATE	DWN	APVD
J	-	A3	REVISED PER ECR-19-018072	29NOV2019	SS TD



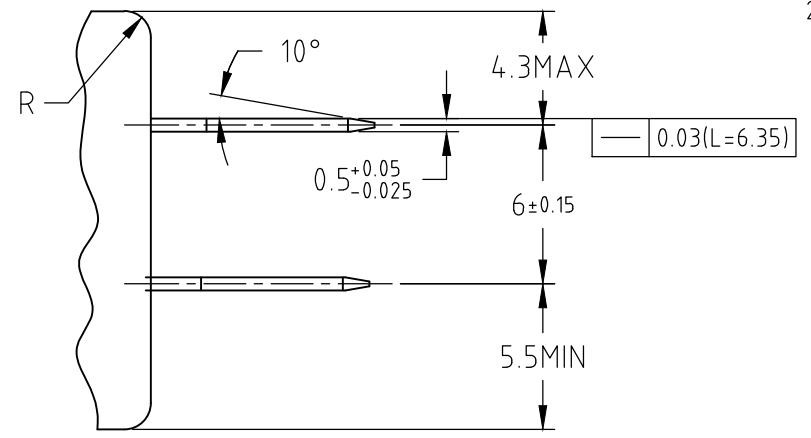
RECOMMENDABLE DIMENSIONS OF 2POS TAB ±0.2, ±2° GENERAL TOLERANCE



- NOTES
- APPLICABLE CONTACT P/N: 170324-X, 170325-X, 170326-X
 - THIS CONNECTOR APPLIED FOR 2POS TAB. (SEE DETAIL)
 - MATERIAL: 6/6NYLON (UL94V-2)
 - MATERIAL: 6/6NYLON (UL94V-0)
 - MATERIAL: 6/6NYLON GLASS FILLED (UL94V-0)
 - OBSOLETE PARTS: OBSOLETE CIS STREAMLINING PER D.RENAUD/D.SINISI
 - OBSOLETE PARTS

Symbol	Material	Color	P/N
5	GREEN		2-1318920-3
5	YELLOW		2-1318920-2
5	NATURAL		2-1318920-1
4	RED		1-1318920-5
4	BLUE		1-1318920-4
4	GREEN		1-1318920-3
4	YELLOW		1-1318920-2
4	NATURAL		1-1318920-1
3	YELLOW		1318920-2
3	NATURAL		1318920-1

- NOTES
- NO BURRS ARE ALLOWED ON THE TAB HOLE EDGES, AND THE SHEAR DROOP SHALL NOT EXCEED 0.08mm.
 - FOR THE DIMENSION NOT SHOWN IN TYPE B TAB DWG. APPLY THE COMMON DIMENSION SHOWN IN TYPE A TAB DWG.



THIS DRAWING IS A CONTROLLED DOCUMENT.

DWN	J.SATO	26MAR2008
CHK	S.MANABE	29NOV2019
APVD	S.MANABE	28MAR2008

PRODUCT SPEC: 108-5126

APPLICATION SPEC

WEIGHT

MATERIAL: SEE TABLE

FINISH

SCALE: NONE

SHEET: 1 OF 1

REV: A3

CUSTOMER DRAWING

RESTRICTED TO: -

187 SERIES 2POS POSITIVE LOCK MARK-II
 REC HSG WITH GUIDE
 (WITH R TYPE)

SIZE: A3 CAGE CODE: 00779 DRAWING NO: C-1318920

X-ON Electronics

Largest Supplier of Electrical and Electronic Components

Click to view similar products for [Headers & Wire Housings](#) category:

Click to view products by [TE Connectivity](#) manufacturer:

Other Similar products are found below :

[0015917161](#) [0022155065](#) [57102-F02-18ULF](#) [58102-G61-06LF](#) [582553-1](#) [01.001.5753.1](#) [0050291907](#) [02.125.8002.8](#) [609-3404](#) [61062-3](#)
[CSU011177004](#) [622-0430](#) [622-3653LF](#) [63453-116](#) [636-1030](#) [636-1427](#) [636-3427](#) [636-4007](#) [641938-9](#) [65495-038](#) [65692-001LF](#) [65781-018](#)
[65781-047](#) [65817-010LF](#) [65817-015LF](#) [67095-007LF](#) [67601157](#) [68631-112](#) [68645-018](#) [699319-000](#) [70.362.1628.0](#) [70-4210](#) [70-4226B](#) [70-](#)
[4853B](#) [71.350.2428.0](#) [733-134](#) [733-162](#) [760-3052](#) [MHR-64-VUAL](#) [80.063.4001.1](#) [800-90-001-10-001000](#) [801-43-002-10-013000](#)
[801-43-006-10-002000](#) [803-43-024-10-001000](#) [803-93-012-10-001000](#) [8-1437020-4](#) [819-22-004-30-001101](#) [820-22-006-30-001101](#)
[820-22-008-30-001101](#) [821-22-002-10-001101](#)