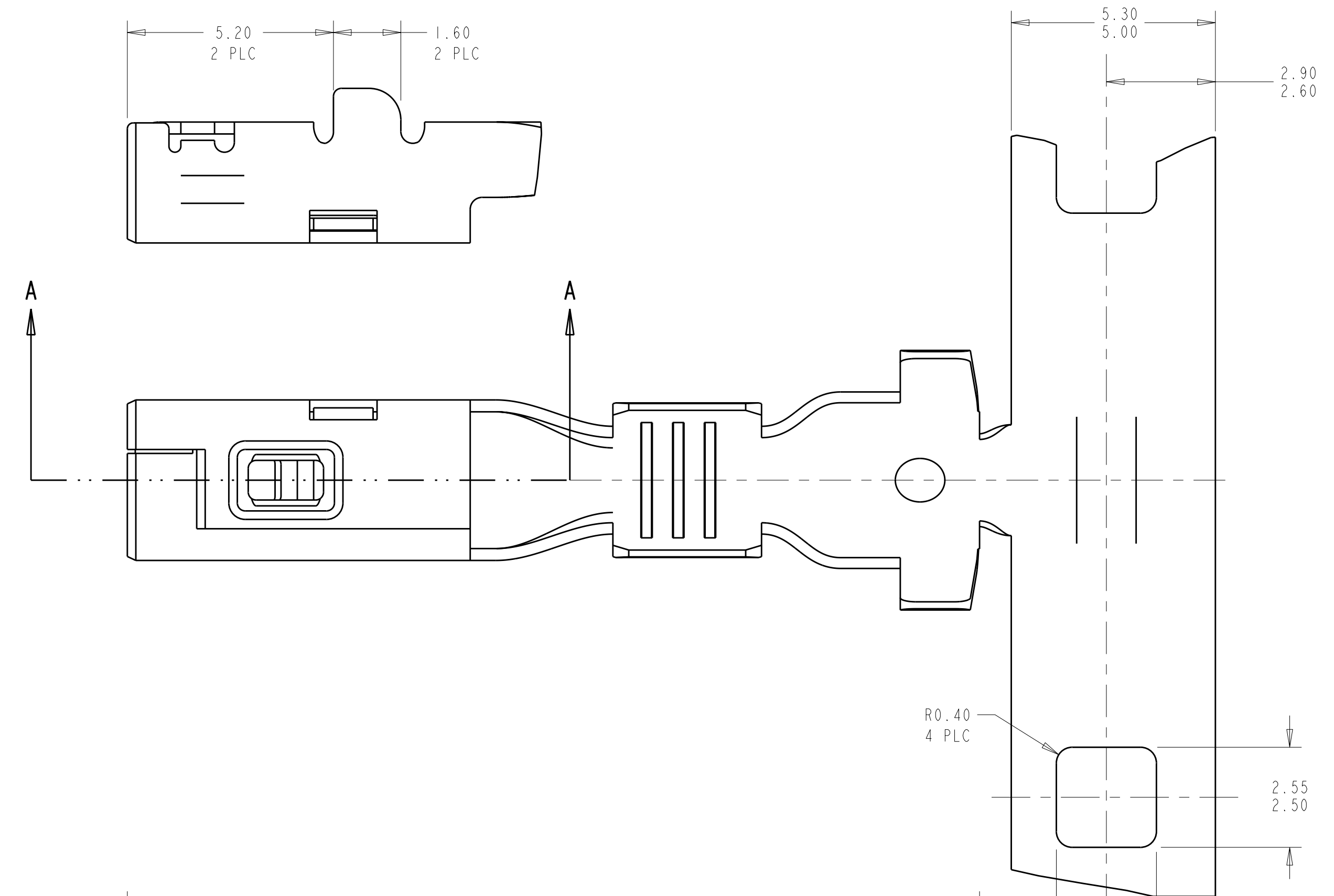
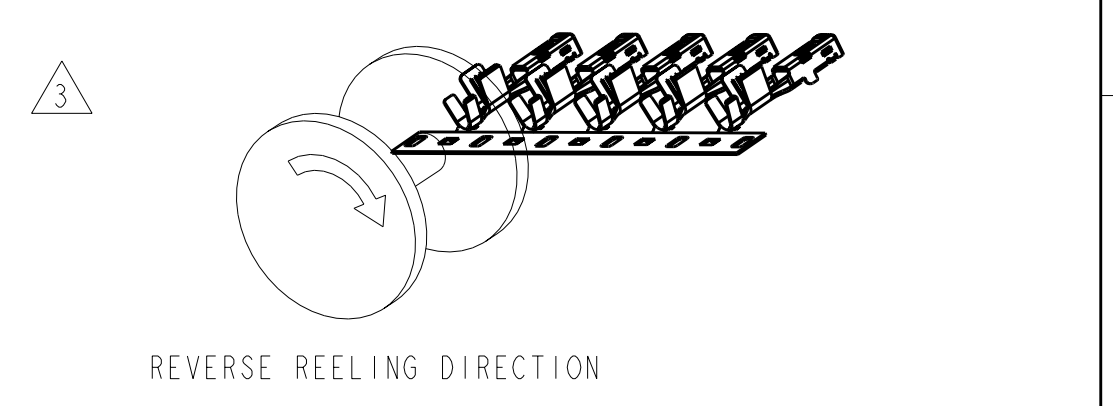
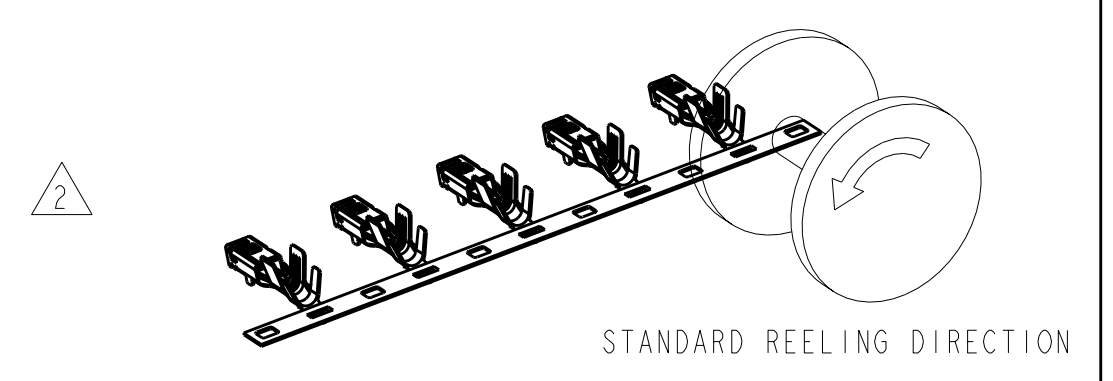


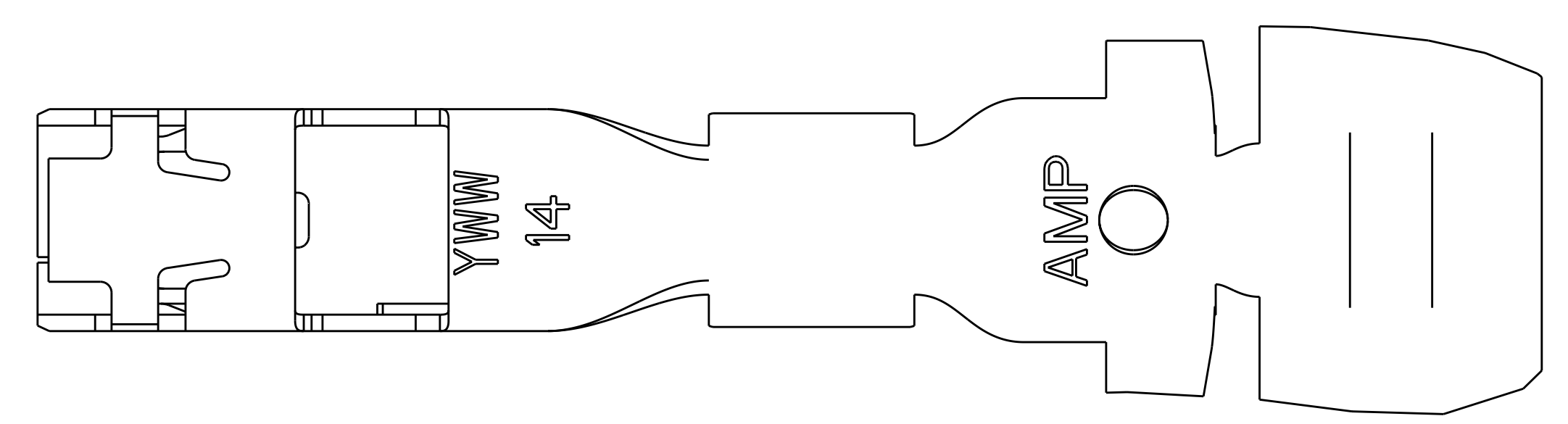
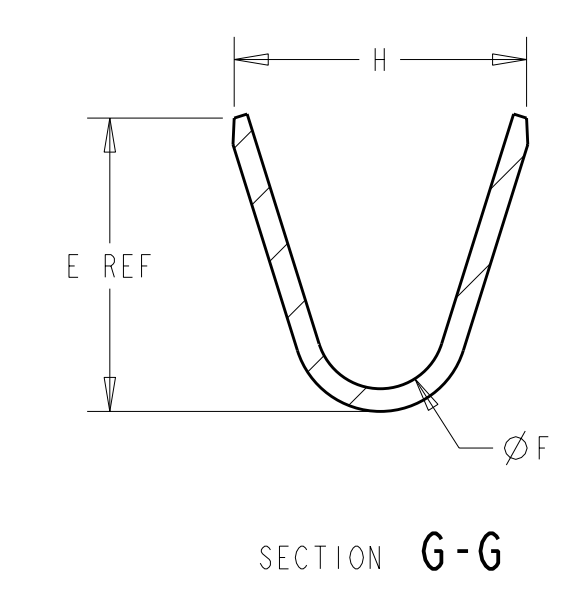
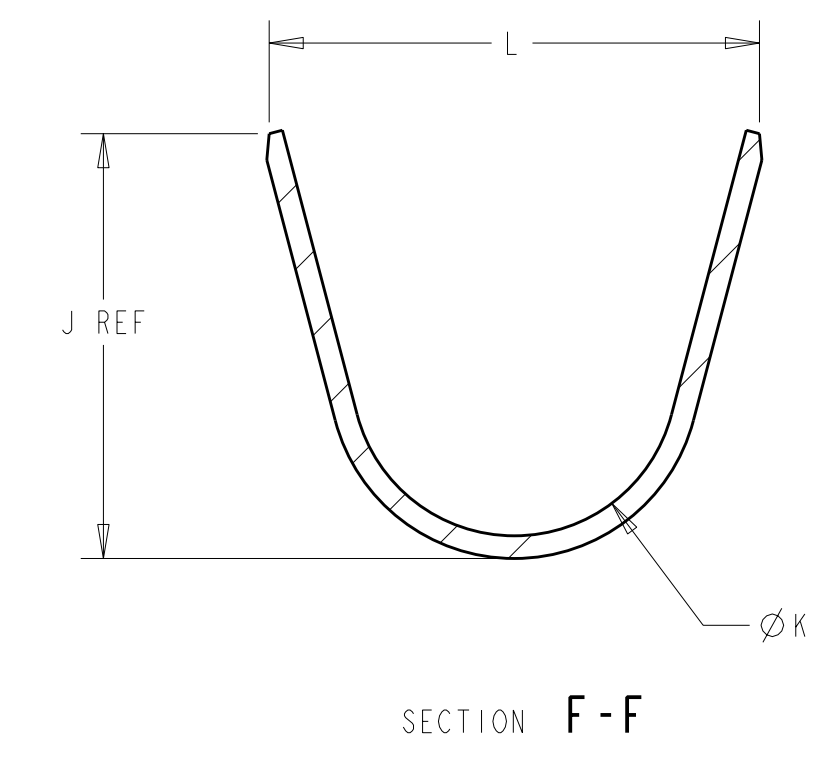
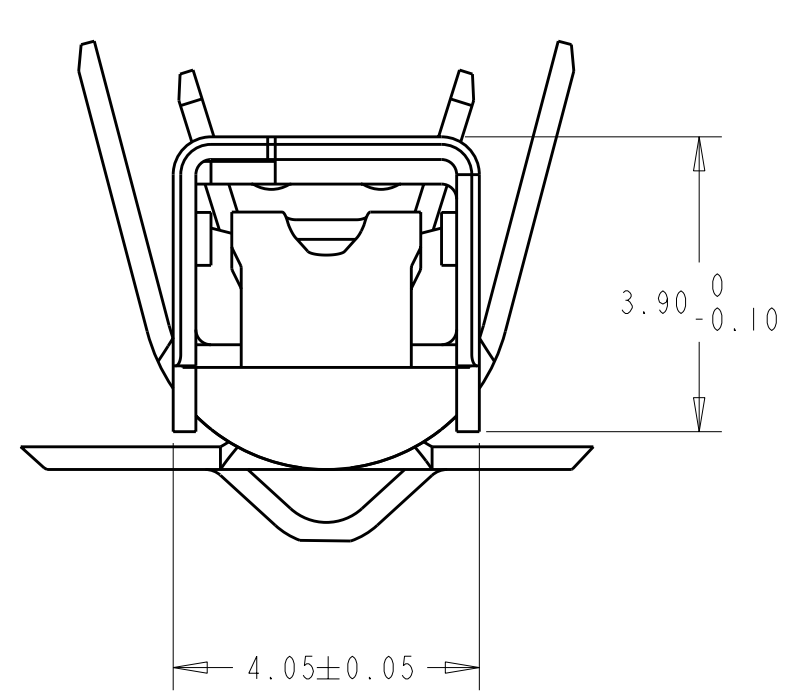
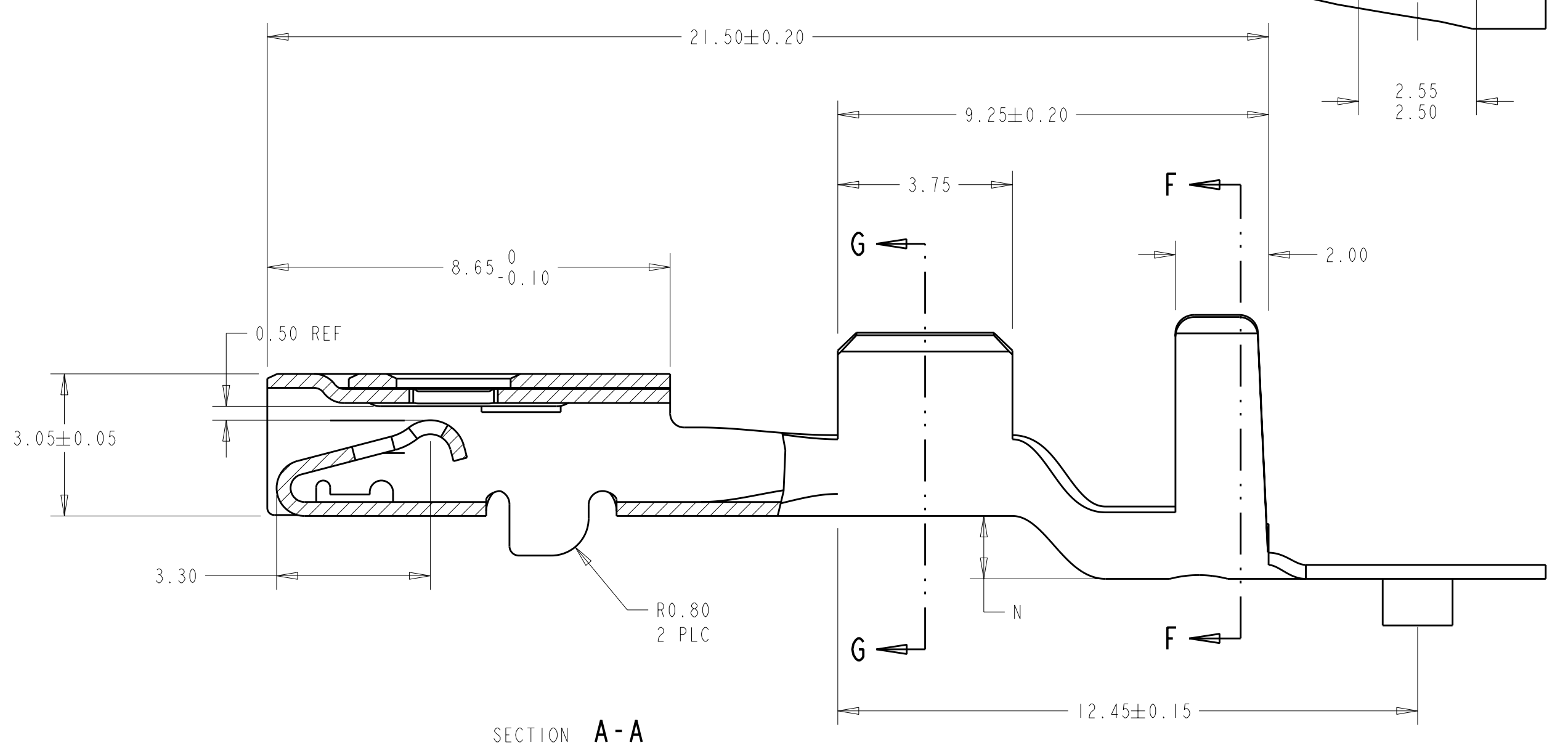
LOC	DIST	REVISIONS			
REV	DATE	DESCRIPTION	DATE	BY	APPD
E1	26APR2011	REVISED PER ECO-11-005030		RK	HMR



△ MATERIAL: 0.30 THICK COPPER ALLOY, PREPLATED WITH 0.0008 MINIMUM THICK REFLOW TIN OR BRIGHT TIN (ELV COMPLIANT).  
 ALTERNATE MATERIAL: 0.30 THICK COPPER ALLOY, PREPLATED WITH 0.0008 MINIMUM THICK BRIGHT TIN (ELV COMPLIANT).



4. QUALIFICATION OF THE CRIMP APPLICATION TOOLING SHALL BE CONTROLLED BY THE REQUIREMENTS ESTABLISHED UNDER USCAR 21.
5. LOOSE END SPLICING TO BE USED.



REELING	N	L	ØK	J	H	ØF	E	WIRE SIZE	PART NO.
△	1326032-6 REELED FOR AMP APPLICATORS							12 AWG	I-1326032-2
	1326032-5 REELED FOR AMP APPLICATORS							14 AWG	I-1326032-1
	1326032-4 REELED FOR AMP APPLICATORS							16 AWG	I-1326032-0
	1326032-3 REELED FOR AMP APPLICATORS							18 AWG	1326032-9
△	1326032-2 REELED FOR AMP APPLICATORS							20 AWG	1326032-8
	1326032-1 REELED FOR AMP APPLICATORS							22 AWG	1326032-7
	1.35	6.8	4.30	6.09	4.7	2.70	5.25	12 AWG	1326032-6
	1.35	6.5	4.30	5.62	3.9	1.70	3.88	14 AWG	1326032-5
	1.10	5.6	3.80	4.54	3.9	1.70	3.88	16 AWG	1326032-4
	1.10	5.6	3.80	4.54	3.3	1.30	2.76	18 AWG	1326032-3
0.90	5.0	3.40	4.11	3.3	1.30	2.76	20 AWG	1326032-2	
0.90	5.0	3.40	4.11	2.5	0.90	2.11	22 AWG	1326032-1	

THIS DRAWING IS A CONTROLLED DOCUMENT.

AWN: D. STRAUSSER 28APR99  
 CHK: D. BROWN 28APR99  
 APVD: D. BROWN 28APR99

TE Connectivity  
**2.8mm RECEPTACLE, SEALED**

SAE/USCAR-2 8/97  
 APPLICATION SPEC

114-13013  
 WEIGHT: -

CUSTOMER DRAWING

SCALE: 10:1

1 OF 1

REV: E1

## X-ON Electronics

Largest Supplier of Electrical and Electronic Components

*Click to view similar products for [Automotive Connectors](#) category:*

*Click to view products by [TE Connectivity](#) manufacturer:*

Other Similar products are found below :

[003-018-000](#) [60403001](#) [60993906-B](#) [M902-2131](#) [M902-2161](#) [72.330.1035.1](#) [73.353.4028.0](#) [F119300-B](#) [F166900](#) [F258300-B](#) [F358300-B](#)  
[F407400](#) [F444110](#) [F487000](#) [F509500B-B](#) [827153-1](#) [8N1515-32-24P](#) [9-1326729-8](#) [925474-1](#) [928905-1](#) [964562-4](#) [968782-1](#) [GT17SA-8DS-](#)  
[HU](#) [98891-1012](#) [98947-1016](#) [12004147](#) [12004475-L](#) [12010290](#) [12010309-B](#) [12015454](#) [12020219-B](#) [12020308](#) [12041318-B](#) [12052225-L](#)  
[12052466](#) [12059125](#) [12064869](#) [12004327-B](#) [12010503-B](#) [12015308](#) [12015384](#) [12015909](#) [1-21030-1](#) [12041254](#) [12041318](#) [12047946-B](#)  
[12047957](#) [12047957-L](#) [12059473](#) [12066261](#)