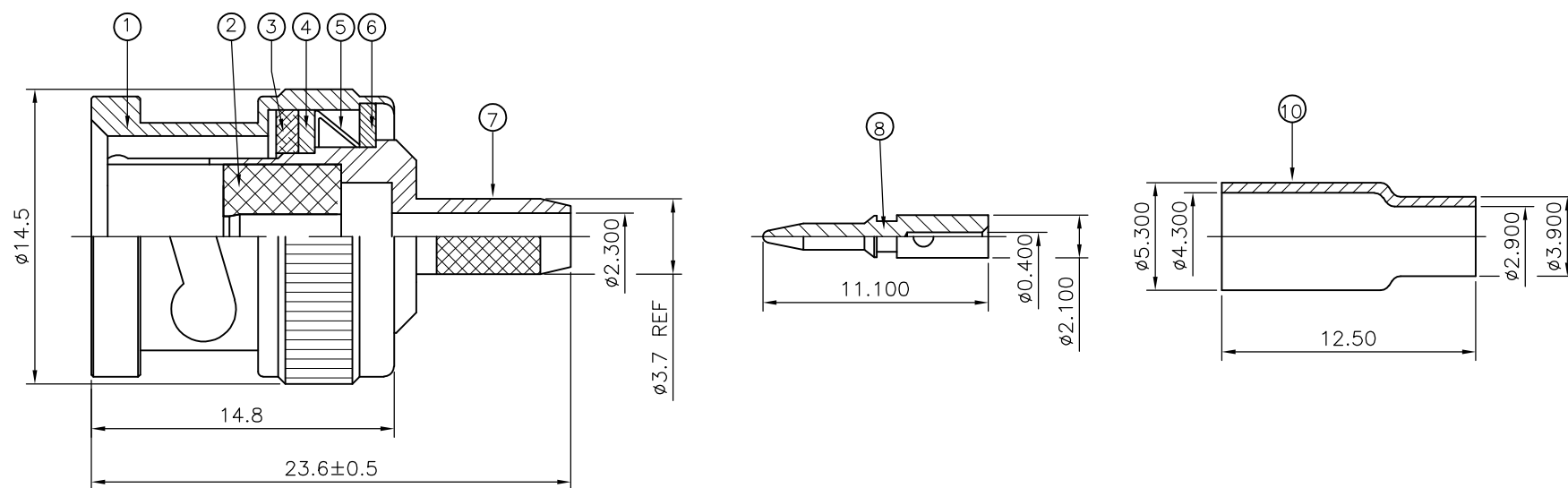
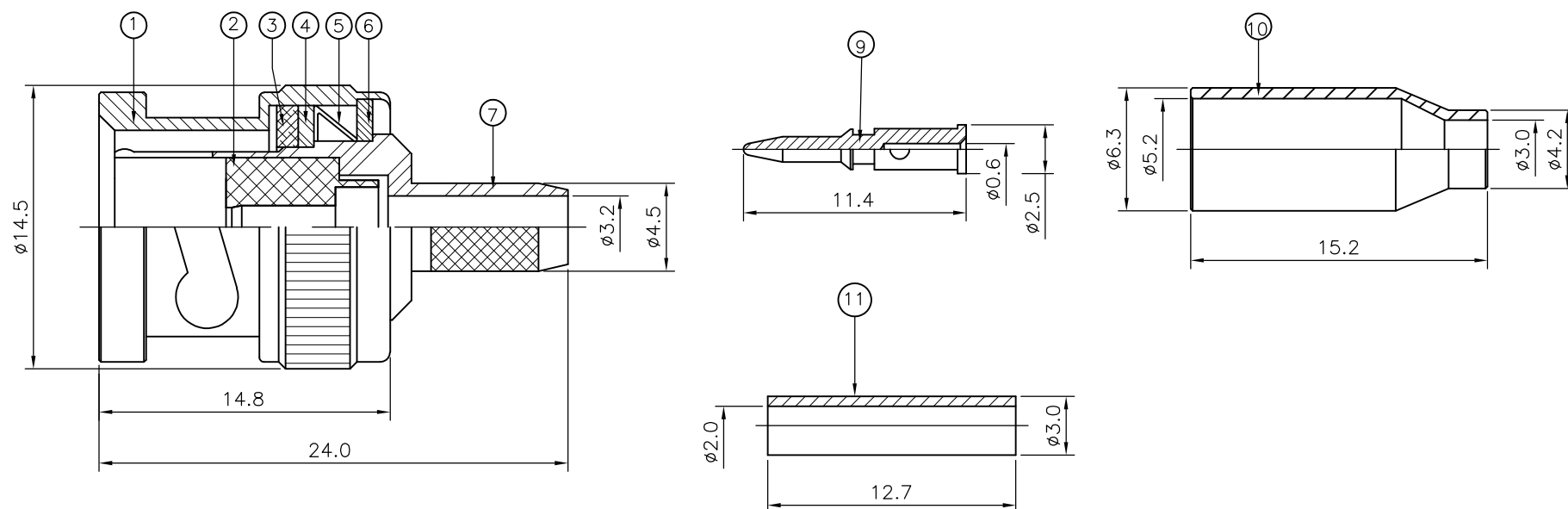


LOC	DIST	REVISIONS					
E	B	P	LTR	DESCRIPTION	DATE	DWN	APVD
		D		ECO-09-017262	28JULY09	RITA	BOB

1-1337431-0/6-1337431-0



1-1337431-1/6-1337431-1



NOTES:

- ① SINGLE PACK IN ACCORDANCE WITH AMP SPEC 107-3275
- ② 100 TRAY PACK IN ACCORDANCE WITH AMP SPEC 107-3275
- ③ FLASH Au PLATING
- ④ 0.76µm Au PLATING
- ⑤ Ni PLATING
- ⑥ THIS ITEM MUST BE WHITE
- 7. HAND TOOL : 9-1478240-0
- 8. DIE SET : 9-1478242-0
- 9. ELECTRICAL CHARACTERISTICS
 

FREQUENCY RANGE:	DC - 2 GHz
NOMINAL IMPEDANCE:	75 Ohm
INSULATION RESISTANCE:	5000 MOhm
WORKING VOLTAGE:	500 Volts RMS at Sea Level
DIELECTRIC WITHSTAND VOLTAGE:	1500 Volts RMS Max
CONTACT RESISTANCE:	
CENTRE CONTACT:	1.50 mOhm Max
OUTER CONTACT:	0.20 mOhm Max
VSWR @ 4GHz:	1.20:1 Max
INSERTION LOSS dB @ x 3 GHz:	0.20 Max
- 10. MECHANICAL CHARACTERISTICS
 

COUPLING NUT RETENTION FORCE:	445N Min
CABLE RETENTION FORCE:	85N Min
DURABILITY:	500 Cycles Min
- 11. ENVIRONMENTAL CHARACTERISTICS
 

OPERATING TEMPERATURE:	-65 to +165 DegC
------------------------	------------------

QTY	REV	QTY	REV	MATERIAL	DESCRIPTION	ITEM
1	1	-	-	PTFE	PUSHER SLEEVE	11
1	1	1	1	BRASS	⑤ FERRULE	10
1	1	-	-	BRASS	④ CONTACT	9
-	-	1	1	BRASS	③ CONTACT	8
1	1	1	1	BRASS	⑥ BODY	7
1	1	1	1	BRASS	⑦ WASHER	6
1	1	1	1	SPRING STEEL	SPRING	5
1	1	1	1	BRASS	⑤ WASHER	4
1	1	1	1	SILICON RUBBER	⑥ GASKET	3
1	1	1	1	PTFE	INSULATION	2
1	1	1	1	BRASS	⑤ SHELL	1

QTY	REV	QTY	REV	MATERIAL	DESCRIPTION	ITEM
6--1	1--1	6--0	1--0			

QUANTITY PER ASSY		PARTS LIST	
<p>THIS DRAWING IS A CONTROLLED DOCUMENT.</p> <p>DWN J.SANDWELL 12SEPT05</p> <p>CHK S.PARLOW 12SEPT05</p> <p>APVD F.WHEELER-KING 12SEPT05</p> <p>PRODUCT SPEC 108-3435</p> <p>APPLICATION SPEC 411-3247</p> <p>WEIGHT -</p>			
<p>RECOMMENDED CENTRE CONTACT A/F HEX</p>		<p>RECOMMENDED CRIMP SLEEVE A/F HEX</p>	
<p>RECOMMENDED CABLE STRIPPING DIM'S</p>			
<p>DIMENSIONS: mm</p>		<p>TOLERANCES UNLESS OTHERWISE SPECIFIED:</p> <p>0 PLC ± -</p> <p>1 PLC ± 0.3</p> <p>2 PLC ± 0.2</p> <p>3 PLC ± 0.1</p> <p>4 PLC ± -</p> <p>ANGLES ± 5°</p> <p>FINISH SEE TABLE</p>	
MATERIAL SEE TABLE		FINISH SEE TABLE	
CUSTOMER DRAWING		SCALE NTS	
SIZE A3	CAGE CODE 00779	DRAWING NO C-1337431	RESTRICTED TO -
SHEET 1 OF 1		REV D	

## X-ON Electronics

Largest Supplier of Electrical and Electronic Components

*Click to view similar products for [RF Connectors / Coaxial Connectors](#) category:*

*Click to view products by [TE Connectivity](#) manufacturer:*

Other Similar products are found below :

[8915-1511-000](#) [89674-0827](#) [6001-7071-019](#) [6002-7051-003](#) [6002-7551-202](#) [6059674-1](#) [619550-1](#) [630059-000](#) [M39030/3-01N](#) [6500-7071-046](#) [6769](#) [CX050L2AQ](#) [7002-1541-010](#) [7002-1542-011](#) [7004-1512-000](#) [7009-1511-004](#) [7010-1511-000](#) [7029-1511-060](#) [7101-1541-010](#) [7101-1571-002](#) [7105-1521-002](#) [7145-1521-002](#) [7203-1571-003](#) [7209-1511-011](#) [7210-1511-015](#) [7210-1511-019](#) [73137-5015](#) [73216-2241](#) [73404-2300](#) [7405-1521-005](#) [7405-1521-802](#) [8527](#) [8547](#) [FS11V](#) [877931](#) [8808-1511-001](#) [9074-9513-000](#) [9101-9573-002](#) [910A205F](#) [9130-9573-002](#) [PL11SC-026](#) [PL375-33](#) [PL40-5](#) [PL74C-221](#) [PL75MC-217](#) [PL803-7](#) [1200690078](#) [1-201144-1](#) [R107003010W](#) [R110A172100](#)