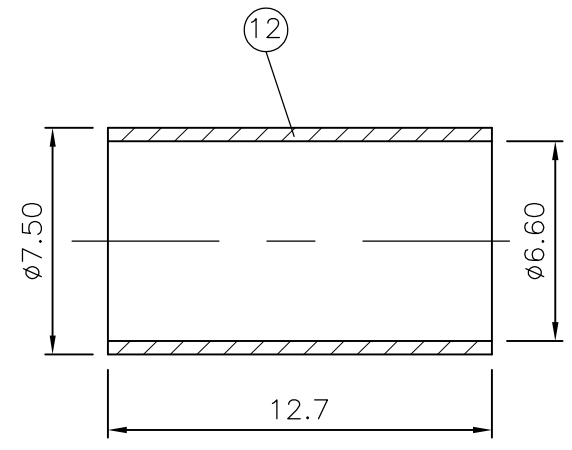
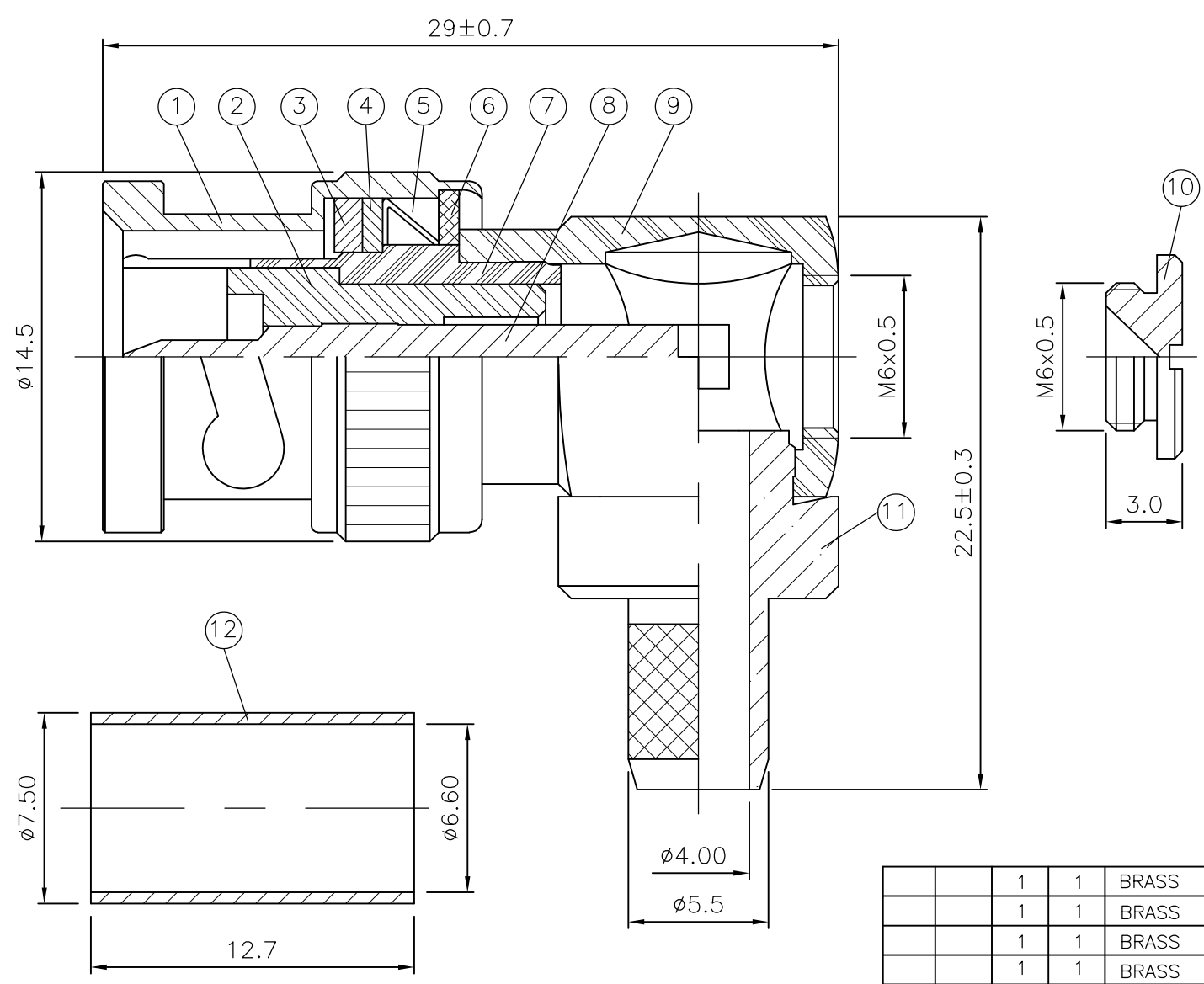


THIS DRAWING IS UNPUBLISHED. RELEASED FOR PUBLICATION AUGUST, 2006.  
 © COPYRIGHT 2006 By - ALL RIGHTS RESERVED.

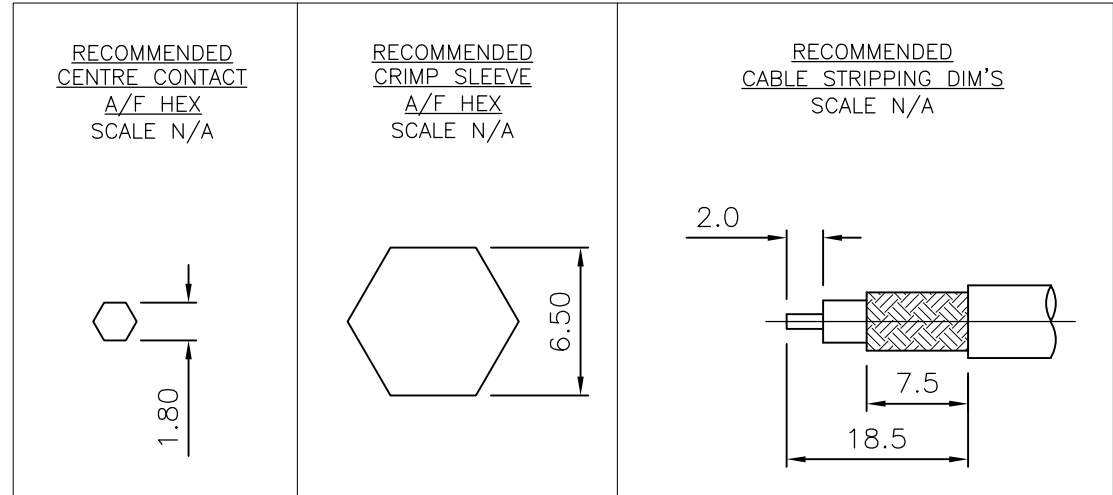
LOC	DIST	REVISIONS					
E	B	P	LTR	DESCRIPTION	DATE	DWN	APVD
		D1		ECR-12-005726	27MAR12	RK	MY

NOTES:

- 1 PACK IN ACCORDANCE WITH TE SPEC 107-3275
- 2 100 TRAY PACK IN ACCORDANCE WITH TE SPEC 107-3275
- 3 Ag PLATING
- 4 Ni PLATING
- 5 THIS ITEM MUST BE WHITE
- 6 HAND TOOL : 9-1478240-0
- 7 DIE SET : 9-1478242-0
- 8 ELECTRICAL CHARACTERISTICS  
 FREQUENCY RANGE: DC - 1 GHz  
 NOMINAL IMPEDANCE: 75 Ohm  
 INSULATION RESISTANCE: 5000 MOhm  
 WORKING VOLTAGE: 500 Volts RMS at Sea Level  
 DIELECTRIC WITHSTAND VOLTAGE: 1500 Volts RMS Max  
 CONTACT RESISTANCE:  
 CENTRE CONTACT: 1.50 mOhm Max  
 OUTER CONTACT: 1 mOhm Max  
 VSWR: 1.3:1 Max @ 0.3 GHz  
 INSERTION LOSS dB: 0.2 dB Max @ 0.3 GHz
- 9 MECHANICAL CHARACTERISTICS  
 COUPLING RETENTION FORCE: 170N Min  
 CABLE RETENTION FORCE: 170N Min  
 DURABILITY: 500 Cycles Min
- 10 ENVIRONMENTAL CHARACTERISTICS  
 OPERATING TEMPERATURE: -65 to +165 DegC
- 11 FOR TECHNICAL DATA REFER TO YOUR LOCAL TYCO ELECTRONICS SALES OFFICE
- 12 ALL DIMENSIONS ARE NOMINAL FOR REFERENCE ONLY UNLESS OTHERWISE STATED



QTY	QTY	MATERIAL	PLC	DESCRIPTION	ITEM
1	1	BRASS	3	FERRULE	12
1	1	BRASS	3	CHASSIS	11
1	1	BRASS	3	NUT	10
1	1	BRASS	3	BODY II	9
1	1	BRASS	3	CENTER CONTACT	8
1	1	BRASS	3	BODY I	7
1	1	BRASS	3	WASHER II	6
1	1	SPRING STEEL	4	SPRING WASHER	5
1	1	BRASS	4	WASHER I	4
1	1	SILICONE	5	GASKET	3
1	1	PTFE		INSULATION	2
1	1	BRASS	3	SHELL	1
6--0	1--0	MATERIAL		DESCRIPTION	ITEM
△	△				



THIS DRAWING IS A CONTROLLED DOCUMENT.		DWN	RITA ZUO	28 OCT 2009
DIMENSIONS: mm		CHK	ANSON MA	28 OCT 2009
TOLERANCES UNLESS OTHERWISE SPECIFIED:		APVD	BOB ZHAO	28 OCT 2009
0 PLC	± -	PRODUCT SPEC		
1 PLC	± 0.2	APPLICATION SPEC	411-3247	
2 PLC	± 0.1	WEIGHT	-	
3 PLC	± -			
4 PLC	± -			
ANGLES	± -			
MATERIAL	SEE TABLE	FINISH	-	

**STE** TE Connectivity

BNC ELBOW PLUG CRIMP 75 OHM  
 RG59B/U, 62A/U, 140/U, 210/U,  
 URM90, KX6A, KX25, KX52, KX53

SIZE: A3 CAGE CODE: 00779 DRAWING NO: C-1337438 RESTRICTED TO: -

CUSTOMER DRAWING SCALE: NTS SHEET: 1 OF 1 REV: D1

## X-ON Electronics

Largest Supplier of Electrical and Electronic Components

*Click to view similar products for [RF Connectors](#) / [Coaxial Connectors](#) category:*

*Click to view products by [TE Connectivity](#) manufacturer:*

Other Similar products are found below :

[R125315120](#) [8915-1511-000](#) [89674-0827](#) [5916-1103-603](#) [0106-001-000](#) [6-0001-3](#) [6001-7071-019](#) [6002-7051-003](#) [6002-7551-202](#) [6059674-1](#) [619550-1](#) [630059-000](#) [M39012/25-0021](#) [M39012/79-3008](#) [M39030/3-01N](#) [M39030/3-03N](#) [M3933/25-36N](#) [6500-7071-046](#) [6501-1071-002](#) [M83723/72W2457N](#) [6769](#) [CX050L2AQ](#) [7002-1541-010](#) [7002-1572-002](#) [7003-1572-002](#) [7004-1512-000](#) [7009-1511-004](#) [7010-1511-000](#) [7029-1511-060](#) [7101-1541-010](#) [7101-1571-002](#) [7105-1521-002](#) [7145-1521-002](#) [7209-1511-011](#) [7210-1511-012](#) [7210-1511-015](#) [7210-1511-019](#) [7210-1511-040](#) [7225-1512-050](#) [7242-1511-000](#) [73137-5015](#) [73251-0111](#) [73251-0672](#) [73276-1501](#) [73366-0013](#) [73404-2300](#) [73413-6080](#) [734151610](#) [73415-5721](#) [7405-1521-005](#)