

THIS DRAWING IS UNPUBLISHED. RELEASED FOR PUBLICATION NOV ,2005.  
 © COPYRIGHT 2005 BY TYCO ELECTRONICS CORPORATION. ALL RIGHTS RESERVED.

LOC	DIST	REVISIONS					
E	B	P	LTR	DESCRIPTION	DATE	DWN	APVD
		C		ECR-05-016219	24NOV05	JMS	FWK

NOTES:

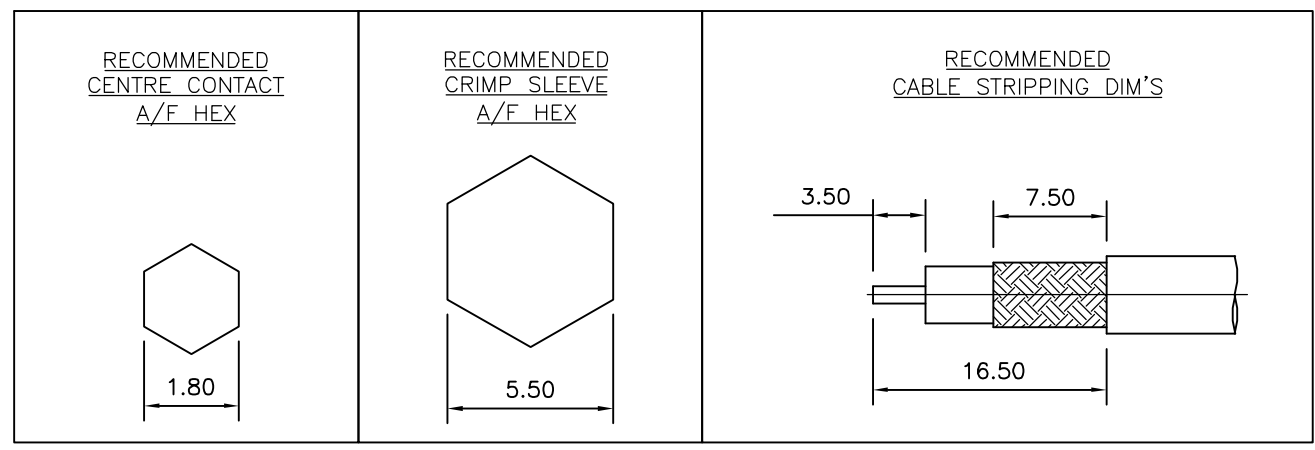
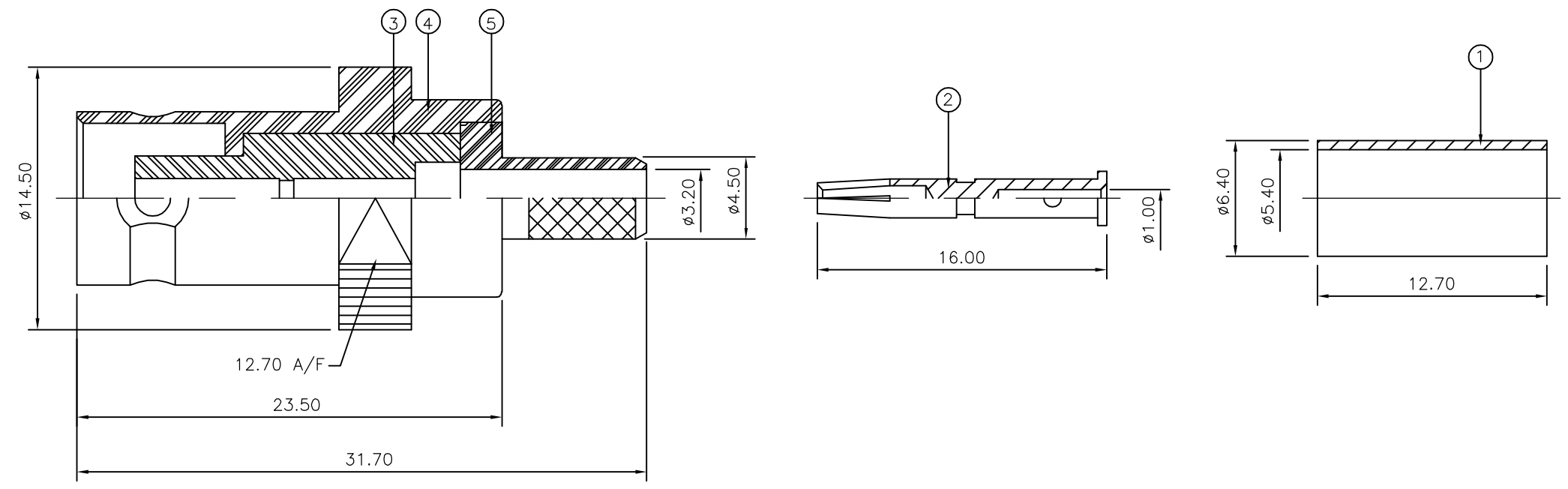
- ① PACK IN ACCORDANCE WITH AMP SPEC 107-3275
- ② 100 TRAY PACK IN ACCORDANCE WITH AMP SPEC 107-3275
- ③ Ag PLATING

- 4 HAND TOOL : 9-1478240-0
- 5 DIE SET : 9-1478242-0

6 ELECTRICAL CHARACTERISTICS  
 FREQUENCY RANGE: DC - 4 GHz  
 NOMINAL IMPEDANCE: 50 Ohm  
 INSULATION RESISTANCE: 5000 MOhm  
 WORKING VOLTAGE: 500 Volts RMS at Sea Level  
 DIELECTRIC WITHSTAND VOLTAGE: 1500 Volts RMS Max  
 CONTACT RESISTANCE:  
 CENTRE CONTACT: 1.50 mOhm Max  
 OUTER CONTACT: 0.20 mOhm Max  
 VSWR @ 4GHz: 1.30:1 Max  
 INSERTION LOSS dB @ x 3 GHz: 0.20 Max

7 MECHANICAL CHARACTERISTICS  
 COUPLING NUT RETENTION FORCE: N/A  
 CABLE RETENTION FORCE: 170N Min  
 DURABILITY: 500 Cycles Min

8 ENVIRONMENTAL CHARACTERISTICS  
 OPERATING TEMPERATURE: -65 to +165 DegC



	1	1	BRASS	⚠	CHASSIS	5
	1	1	BRASS	⚠	BODY	4
	1	1	PTFE		INSULATION	3
	1	1	BRASS	⚠	CONTACT	2
	1	1	BRASS	⚠	FERRULE	1
	6--0	1--0	MATERIAL		DESCRIPTION	ITEM

QUANTITY PER ASSY		PARTS LIST			
		Tyco Electronics Corporation Bideford EX39 4HE			
		NAME BNC STRAIGHT JACK CRIMP 50 OHM RG58C/U, 141A/U, URM43, 76, KX15			
SIZE	CAGE CODE	DRAWING NO	RESTRICTED TO		
A3	00779	C-1337442	-		
CUSTOMER DRAWING		SCALE	SHEET	OF	REV
		NTS	1	1	C

THIS DRAWING IS A CONTROLLED DOCUMENT.		DWN	J.SANDWELL	24NOV05
DIMENSIONS: mm		CHK	S.PARLOW	24NOV05
		APVD	F.WHEELER-KING	24NOV05
TOLERANCES UNLESS OTHERWISE SPECIFIED: 0 PLC ± - 1 PLC ± - 2 PLC ± - 3 PLC ± - 4 PLC ± - ANGLES ± - FINISH -		PRODUCT SPEC	108-3435	
MATERIAL SEE TABLE		APPLICATION SPEC	411-3247	
		WEIGHT	-	

## X-ON Electronics

Largest Supplier of Electrical and Electronic Components

*Click to view similar products for [RF Connectors / Coaxial Connectors](#) category:*

*Click to view products by [TE Connectivity](#) manufacturer:*

Other Similar products are found below :

[R125315120](#) [8915-1511-000](#) [89674-0827](#) [5916-1103-603](#) [0106-001-000](#) [6-0001-3](#) [6001-7071-019](#) [6002-7051-003](#) [6002-7551-202](#) [6059674-1](#) [619550-1](#) [630059-000](#) [M39012/25-0021](#) [M39012/79-3008](#) [M39030/3-01N](#) [M39030/3-03N](#) [M3933/25-29N](#) [M3933/25-36N](#) [6500-7071-046](#) [6501-1071-002](#) [M83723/72W24576](#) [M83723/72W2457N](#) [6769](#) [CX050L2AQ](#) [7002-1541-010](#) [7002-1572-002](#) [7003-1572-002](#) [7004-1512-000](#) [7009-1511-004](#) [7010-1511-000](#) [7029-1511-060](#) [7101-1541-010](#) [7101-1571-002](#) [7105-1521-002](#) [7145-1521-002](#) [7209-1511-011](#) [7210-1511-012](#) [7210-1511-015](#) [7210-1511-019](#) [7210-1511-040](#) [7225-1512-050](#) [7242-1511-000](#) [73137-5015](#) [73251-0111](#) [73251-0672](#) [73276-1501](#) [73366-0013](#) [73404-2300](#) [73413-6080](#) [734151610](#)