

REVISIONS

P	LTR	DESCRIPTION	DATE	DWN	APVD
	E2	ECR-17-009545	28JUL2017	AS	RS

NOTES:

① SINGLE PACKING: ONE CONNECTOR PER LABELED BAG PACKAGED. LABELED PER TEC-107-115

② TRAY PACKAGED

③ Au PLATING

④ Ni PLATING

5 ELECTRICAL CHARACTERISTICS

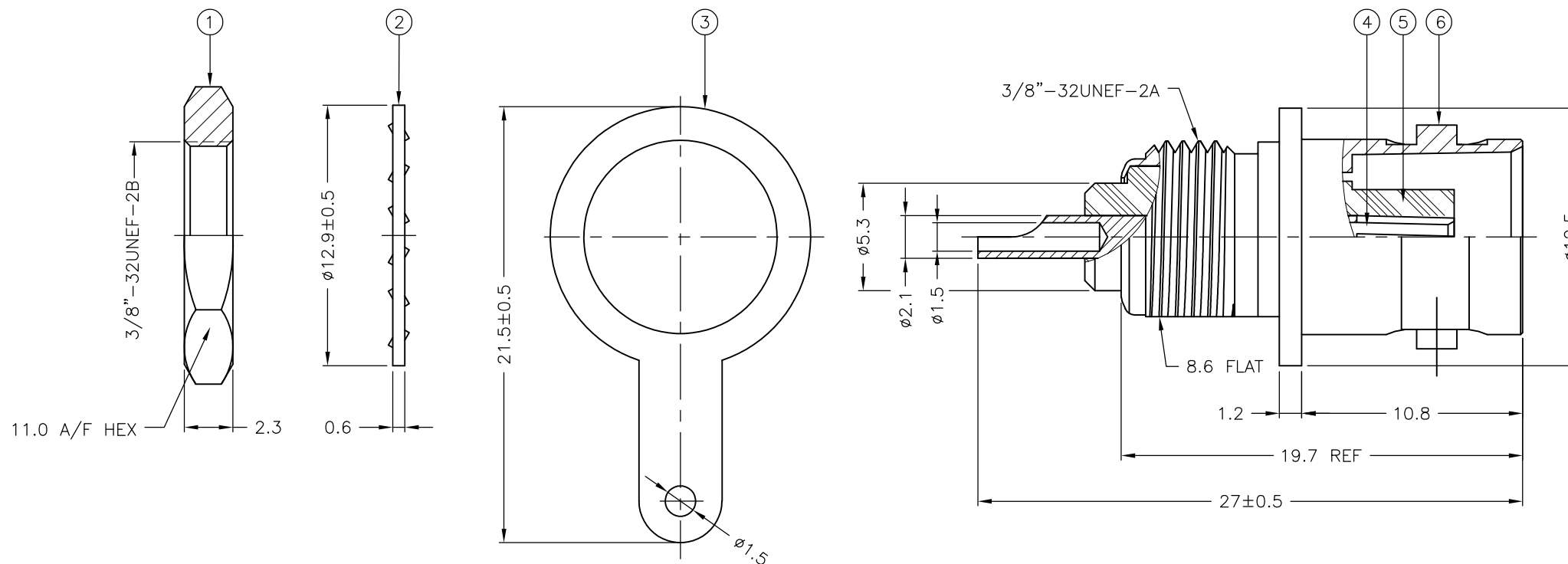
FREQUENCY RANGE:	DC - 4 GHz
NOMINAL IMPEDANCE:	50 Ohm
INSULATION RESISTANCE:	5000 MOhm
WORKING VOLTAGE:	500 Volts RMS at Sea Level
DIELECTRIC WITHSTAND VOLTAGE:	1500 Volts RMS Max
CONTACT RESISTANCE:	
CENTER CONTACT:	1.50 mOhm Max
OUTER CONTACT:	1.00 mOhm Max
VSWR @ 3GHz:	1.35 Max
INSERTION LOSS xdb:	N/A

6 MECHANICAL CHARACTERISTICS

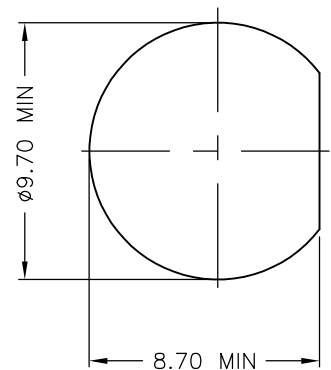
COUPLING RETENTION FORCE:	N/A
CABLE RETENTION FORCE:	N/A
MOUNT NUT RECOMMENDED TORQUE:	2.5 Nm
DURABILITY:	500 Cycles Min

7 ENVIRONMENTAL CHARACTERISTICS

OPERATING TEMPERATURE:	-65 to +165 DegC
------------------------	------------------



RECOMMENDED MOUNTING HOLE



QTY	PLC	FINISH	MATERIAL	DESCRIPTION	ITEM
1	1		BRASS	BODY	6
1	1		PTFE	INSULATION	5
1	1		PHOSPHOR BRONZE	CONTACT	4
1	1		BRASS	SOLDER TAG	3
1	1		STEEL	LOCKWASHER	2
1	1		BRASS	HEX NUT	1
6--0	1--0		MATERIAL	DESCRIPTION	ITEM
			PARTS LIST		

THIS DRAWING IS A CONTROLLED DOCUMENT.		DWN	J.SANDWELL	28NOV05	TE Connectivity	NAME		BNC BULKHEAD SOCKET FRONT MOUNT + TAG 50 OHM	
DIMENSIONS: mm		CHK	S.PARLOW	28NOV05		PRODUCT SPEC		-	
TOLERANCES UNLESS OTHERWISE SPECIFIED: 0 PLC ± - 1 PLC ± 0.2 2 PLC ± - 3 PLC ± - 4 PLC ± - ANGLES ± -		APVD	F.WHEELER-KING	28NOV05		APPLICATION SPEC		-	
MATERIAL SEE TABLE		FINISH		-		WEIGHT	0.000000	SIZE	A3
CUSTOMER DRAWING		SCALE		NTS	SHEET	1 OF 1		REV	E2

## X-ON Electronics

Largest Supplier of Electrical and Electronic Components

*Click to view similar products for [RF Connectors / Coaxial Connectors](#) category:*

*Click to view products by [TE Connectivity](#) manufacturer:*

Other Similar products are found below :

[8915-1511-000](#) [89674-0827](#) [6001-7071-019](#) [6002-7051-003](#) [6002-7551-202](#) [6059674-1](#) [619550-1](#) [630059-000](#) [M39030/3-01N](#) [6500-7071-046](#) [6769](#) [CX050L2AQ](#) [7002-1541-010](#) [7002-1542-011](#) [7004-1512-000](#) [7009-1511-004](#) [7010-1511-000](#) [7029-1511-060](#) [7101-1541-010](#) [7101-1571-002](#) [7105-1521-002](#) [7145-1521-002](#) [7203-1571-003](#) [7209-1511-011](#) [7210-1511-015](#) [7210-1511-019](#) [73137-5015](#) [73216-2241](#) [73404-2300](#) [7405-1521-005](#) [7405-1521-802](#) [8527](#) [8547](#) [FS11V](#) [877931](#) [9049-9513-000](#) [9074-9513-000](#) [9101-9573-002](#) [910A205F](#) [9130-9573-002](#) [PL11SC-026](#) [PL375-33](#) [PL40-5](#) [PL74C-221](#) [PL75MC-217](#) [PL803-7](#) [1200690078](#) [1-201144-1](#) [R107003010W](#) [R110A172100](#)