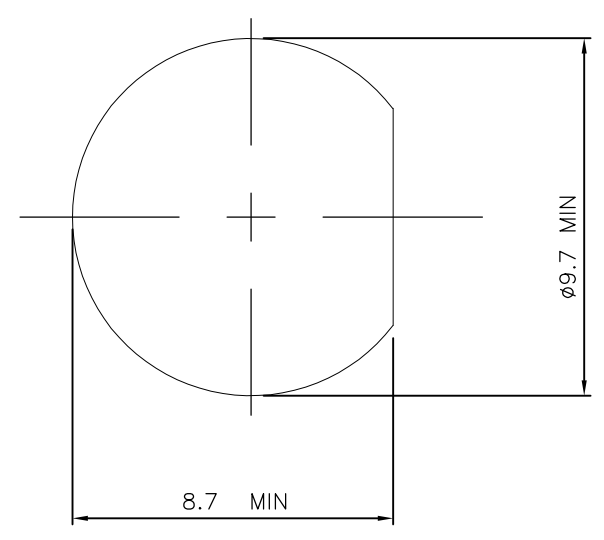
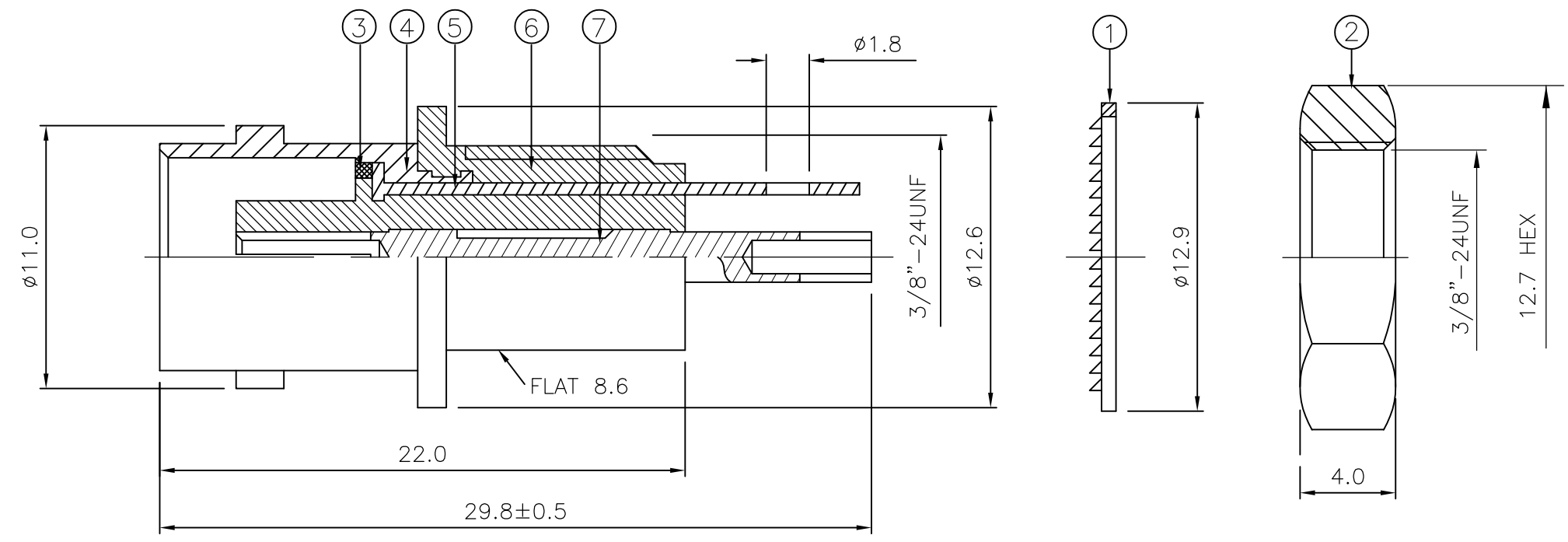


THIS DRAWING IS UNPUBLISHED. RELEASED FOR PUBLICATION DEC ,2005.
 © COPYRIGHT 2005 By - ALL RIGHTS RESERVED.

LOC	DIST	REVISIONS			
P	LTR	DESCRIPTION	DATE	DWN	APVD
E	B	C	ECR-05-017969	13DEC05	JMS FWK
		D	ECO-11-010041	16MAY2011	TITAN MARTIN


- NOTES:**
- ① PACK IN ACCORDANCE WITH AMP SPEC 107-3275
 - ② 100 TRAY PACK IN ACCORDANCE WITH AMP SPEC 107-3275
 - ③ Au PLATING
 - ④ Ni PLATING
 - ⑤ Sn PLATING
- 6 ELECTRICAL CHARACTERISTICS
 FREQUENCY RANGE: DC - 4 GHz
 NOMINAL IMPEDANCE: 50 Ohms
 INSULATION RESISTANCE: 5000 MOhms Min.
 WORKING VOLTAGE: 500 Volts RMS at Sea Level
 DIELECTRIC WITHSTAND VOLTAGE: 1500 Volts RMS Max
 CONTACT RESISTANCE:
 CENTRE CONTACT: 1.50 mOhms Max
 OUTER CONTACT: 1.0 mOhms Max
 VSWR @ xGHz: 1.3 MAX. @1 GHz
 INSERTION LOSS xdb: 0.2 dB MAX. @1 GHz
- 7 MECHANICAL CHARACTERISTICS
 INTERFACE IN ACCORDANCE WITH: MIL-STD-348A
 DURABILITY: 500 MATINGS
- 8 ENVIRONMENTAL CHARACTERISTICS
 OPERATING TEMPERATURE: -40 to +60 DegC



MOUNTING HOLE

QTY	QTY	MATERIAL	NOTE	DESCRIPTION	ITEM
1	1	BRASS	③	CENTER CONTACT	7
1	1	ABS		BODY I	6
1	1	BRASS	⑤	GROUNDING TAB	5
1	1	BRASS	④	BODY II	4
1	1	BRASS	④	WASHER	3
1	1	BRASS	④	NUT	2
1	1	STEEL	④	WASHER	1
6--0	1--0	MATERIAL		DESCRIPTION	ITEM
③	④				

THIS DRAWING IS A CONTROLLED DOCUMENT.		DWN	J.SANDWELL	13DEC05
DIMENSIONS: mm		CHK	S.PARLOW	13DEC05
TOLERANCES UNLESS OTHERWISE SPECIFIED:		APVD	F.WHEELER-KING	13DEC05
0 PLC	± -	PRODUCT SPEC		
1 PLC	± 0.2	APPLICATION SPEC		
2 PLC	± 0.1	WEIGHT -		
3 PLC	± 0.05	CUSTOMER DRAWING		
4 PLC	± -	SCALE NTS		
ANGLES	± 5'	SHEET 1 OF 1		
MATERIAL SEE TABLE	FINISH SEE TABLE	REV D		



TE Connectivity

**BNC INSULATED BULKHEAD SOCKET
FRONT MOUNT 50 OHM**

NAME	SIZE	CAGE CODE	DRAWING NO	RESTRICTED TO
	A3	00779	C-1337452	-

X-ON Electronics

Largest Supplier of Electrical and Electronic Components

Click to view similar products for [RF Connectors / Coaxial Connectors](#) category:

Click to view products by [TE Connectivity](#) manufacturer:

Other Similar products are found below :

[8915-1511-000](#) [89674-0827](#) [6001-7071-019](#) [6002-7051-003](#) [6002-7551-202](#) [6059674-1](#) [619550-1](#) [630059-000](#) [M39030/3-01N](#) [6500-7071-046](#) [6769](#) [CX050L2AQ](#) [7002-1541-010](#) [7002-1542-011](#) [7004-1512-000](#) [7009-1511-004](#) [7010-1511-000](#) [7029-1511-060](#) [7101-1541-010](#) [7101-1571-002](#) [7105-1521-002](#) [7145-1521-002](#) [7203-1571-003](#) [7209-1511-011](#) [7210-1511-015](#) [7210-1511-019](#) [73137-5015](#) [73216-2241](#) [73404-2300](#) [7405-1521-005](#) [7405-1521-802](#) [8527](#) [8547](#) [FS11V](#) [877931](#) [9049-9513-000](#) [9074-9513-000](#) [9101-9573-002](#) [910A205F](#) [9130-9573-002](#) [PL11SC-026](#) [PL375-33](#) [PL40-5](#) [PL74C-221](#) [PL75MC-217](#) [PL803-7](#) [1200690078](#) [1-201144-1](#) [R107003010W](#) [R110A172100](#)