

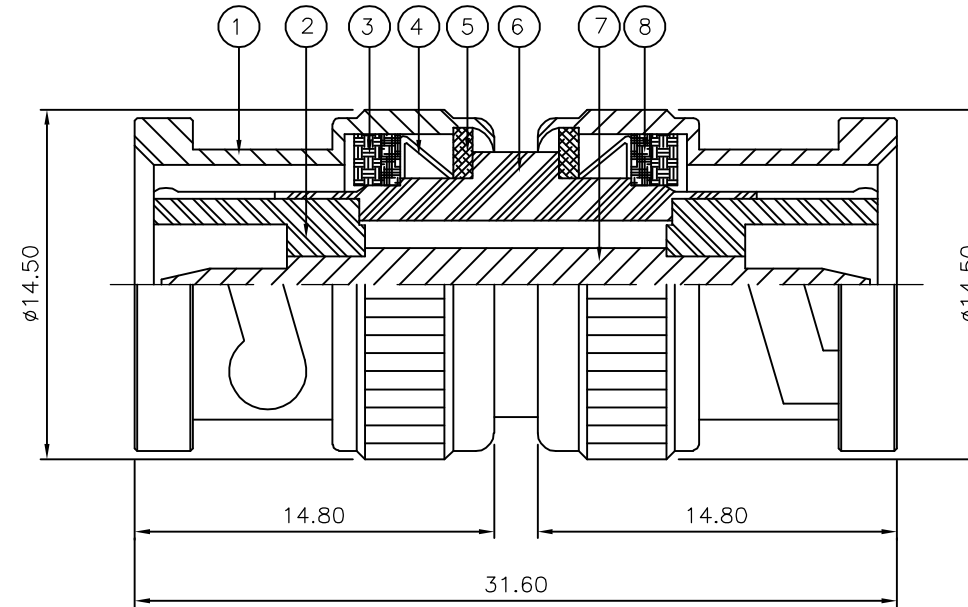
THIS DRAWING IS UNPUBLISHED. RELEASED FOR PUBLICATION DEC ,2005.

© COPYRIGHT 2005 BY TYCO ELECTRONICS CORPORATION. ALL RIGHTS RESERVED.

| LOC | DIST | REVISIONS | | | | | |
|-----|------|-----------|-----|---------------|---------|-----|------|
| E | B | P | LTR | DESCRIPTION | DATE | DWN | APVD |
| | | C | | ECR-05-017969 | 13DEC05 | JMS | FWK |

NOTES:

- 1 PACK IN ACCORDANCE WITH AMP SPEC 107-3275
- 2 100 TRAY PACK IN ACCORDANCE WITH AMP SPEC 107-3275
- 3 Ag PLATING
- 4 THIS ITEM MUST BE WHITE
- 5 ELECTRICAL CHARACTERISTICS
 FREQUENCY RANGE: DC - 4 GHz
 NOMINAL IMPEDANCE: 50 Ohm
 INSULATION RESISTANCE: 5000 MOhm
 WORKING VOLTAGE: 500 Volts RMS at Sea Level
 DIELECTRIC WITHSTAND VOLTAGE: 1500 Volts RMS Max
 CONTACT RESISTANCE:
 CENTRE CONTACT: 1.50 mOhm Max
 OUTER CONTACT: 0.20 mOhm Max
 VSWR @ xGHz: N/A
 INSERTION LOSS xdb: N/A
- 6 MECHANICAL CHARACTERISTICS
 COUPLING RETENTION FORCE: N/A
 CABLE RETENETION FORCE: N/A
 DURABILITY: 500 Cycles Min
- 7 ENVIRONMENTAL CHARACTERISTICS
 OPERATING TEMPERATURE: -65 to +165 DegC



| | | | | | | |
|--|------|------|-----------------|---|----------------|-------------|
| | 2 | 2 | BRASS | 3 | RETAINING RING | 8 |
| | 1 | 1 | BRASS | 3 | CONTACT | 7 |
| | 1 | 1 | BRASS | 3 | BODY | 6 |
| | 2 | 2 | BRASS | 3 | WASHER | 5 |
| | 2 | 2 | SPRING STEEL | | SPRING | 4 |
| | 2 | 2 | SILICONE RUBBER | 4 | GASKET | 3 |
| | 2 | 2 | PTFE | | INSULATION | 2 |
| | 2 | 2 | BRASS | 3 | SHELL | 1 |
| | 6--0 | 1--0 | | | MATERIAL | DESCRIPTION |
| | | | | | | ITEM |

QUANTITY PER ASSY PARTS LIST

| | | | |
|---|--|-----------------------------------|---|
| THIS DRAWING IS A CONTROLLED DOCUMENT. | | DWN J.SANDWELL 13DEC05 | Tyco Electronics Corporation Bideford EX39 4HE |
| DIMENSIONS: mm | | CHK S.PARLOW 13DEC05 | |
| | | APVD F.WHEELER-KING 13DEC05 | NAME BNC STRAIGHT ADAPTOR P-P 50 OHM |
| TOLERANCES UNLESS OTHERWISE SPECIFIED: | | PRODUCT SPEC | |
| 0 PLC ± - 1 PLC ± - 2 PLC ± - 3 PLC ± - 4 PLC ± - ANGLES ± - | | APPLICATION SPEC | |
| MATERIAL SEE TABLE | | WEIGHT | SIZE A3 |
| FINISH | | | CAGE CODE 00779 |
| | | CUSTOMER DRAWING | DRAWING NO G-1337455 |
| | | | RESTRICTED TO |
| | | SCALE NTS | SHEET 1 OF 1 |
| | | | REV C |

X-ON Electronics

Largest Supplier of Electrical and Electronic Components

Click to view similar products for [RF Adapters - In Series](#) category:

Click to view products by [TE Connectivity](#) manufacturer:

Other Similar products are found below :

[5916-1103-603](#) [5918-1103-000](#) [5919-1503-000](#) [651A505](#) [82-5552](#) [9030-9523-502](#) [PN2C](#) [A0407000](#) [R114703000W](#) [R125704000](#)
[R125771001](#) [R141710000W](#) [R141723161](#) [R141730000](#) [R143730700](#) [R143770000](#) [R161703000W](#) [R161753000W](#) [R161791530W](#)
[R201705000](#) [R222705200](#) [R222M40010W](#) [R316754000](#) [R405006000](#) [R443162000](#) [AD78TL](#) [HRM-513S](#) [1996352-2](#) [2157155-1](#) [252169-75](#)
[AD158](#) [2101130-1](#) [252186](#) [R114704000W](#) [R114720000W](#) [R125705001](#) [R125705701](#) [R125771000](#) [R125771001W](#) [R125791501W](#)
[R127704001](#) [R127.870.001](#) [R127872001](#) [R141717000](#) [R142710000](#) [R142723000](#) [R143703000](#) [R143704000](#) [R143705700](#) [R161715000W](#)