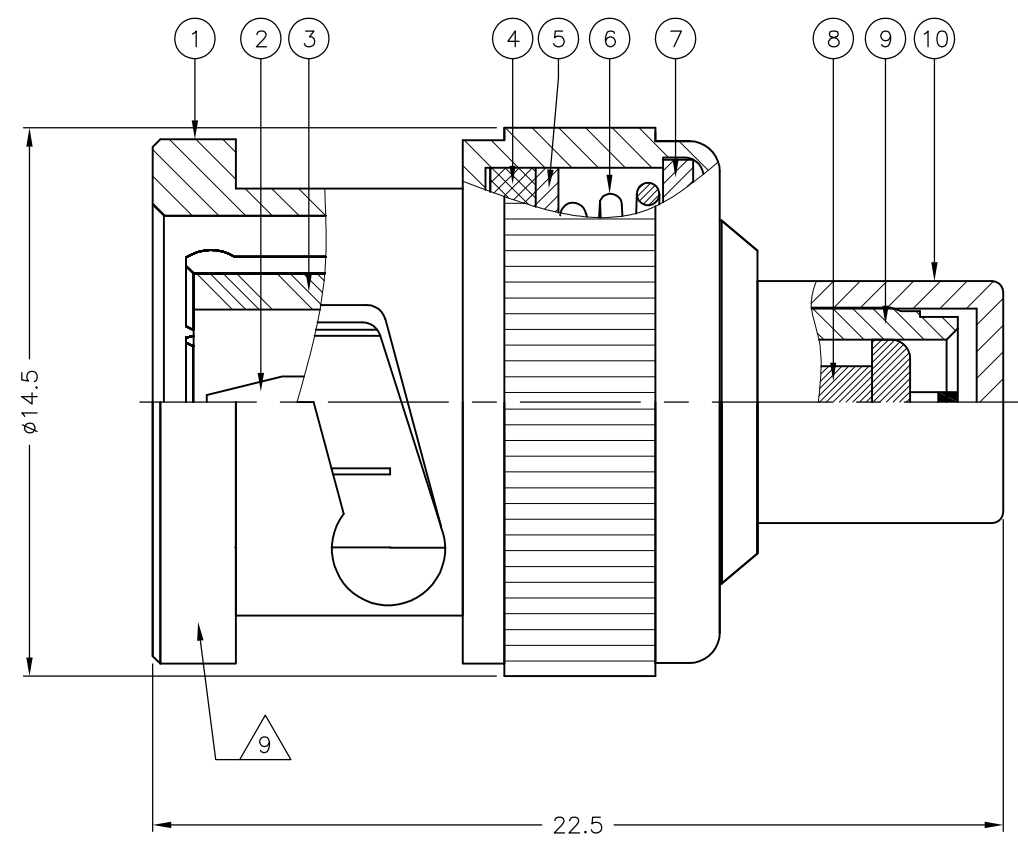


THIS DRAWING IS UNPUBLISHED. RELEASED FOR PUBLICATION DEC ,2005.
 © COPYRIGHT 2005 By - ALL RIGHTS RESERVED.

LOC E	DIST B	REVISIONS		
P	LTR	DESCRIPTION	DATE	DWN APVD
	D	ECO-14-015780	29OCT2014	RZ MY

- NOTES:**
- 1 SINGLE PACKING: ONE CONNECTOR PER LABELED BAG PACKAGED. LABELED PER TEC-107-115
 - 2 TRAY PACKAGED
 - 3 Ag PLATING
 - 4 Zn PLATING
 - 5 THIS ITEM MUST BE WHITE
- 6. ELECTRICAL CHARACTERISTICS**
- | | |
|-------------------------------|----------------------------|
| FREQUENCY RANGE: | DC - 1 GHz |
| NOMINAL IMPEDANCE: | 50 Ohm |
| INSULATION RESISTANCE: | 5000 MOhm |
| WORKING VOLTAGE: | 500 Volts RMS at Sea Level |
| DIELECTRIC WITHSTAND VOLTAGE: | 1500 Volts RMS Max |
| CONTACT RESISTANCE: | |
| CENTER CONTACT: | 1.50 mOhm Max |
| OUTER CONTACT: | 1.00 mOhm Max |
| VSWR @ 1GHz: | 1.3 Max |
- 7. MECHANICAL CHARATERISTICS**
- | | |
|---------------------------|----------------|
| COUPLING RETENTION FORCE: | 266N |
| DURABILITY: | 500 Cycles Min |
- 8. ENVIRONMENTAL CHARACTERISTICS**
- | | |
|------------------------|------------------|
| OPERATING TEMPERATURE: | -65 to +165 DegC |
|------------------------|------------------|
- 9 VALUE MARKED ON CONNECTOR BODY AS SHOWN (SEE TABLE)



QTY	PLC	LTR	MATERIAL	DESCRIPTION	ITEM
1	1		BRASS	CAP	10
1	1		BRASS	BODY	9
1	1		1/2W-50 OHM	RESISTOR	8
1	1		SK-5	WASHER	7
1	1		SPRING STEEL	SPRING	6
1	1		SK-5	RETAINING RING	5
1	1		SILICONE RUBBER	GASKET	4
1	1		PTFE	INSULATOR	3
1	1		BRASS	CONTACT	2
1	1		BRASS	SHELL	1
6--0	1--0		MATERIAL	DESCRIPTION	ITEM
QUANTITY PER ASSY			PARTS LIST		

THIS DRAWING IS A CONTROLLED DOCUMENT.		DWN J.SANDWELL 14DEC05	TE Connectivity NAME BNC PLUG TERMINATION 50 OHM				
DIMENSIONS: mm		CHK S.PARLOW 14DEC05					
		APVD F.WHEELER-KING 14DEC05					
TOLERANCES UNLESS OTHERWISE SPECIFIED:		PRODUCT SPEC					
0 PLC ± - 1 PLC ± 0.5 2 PLC ± - 3 PLC ± - 4 PLC ± - ANGLES ± -		APPLICATION SPEC	SIZE	CAGE CODE	DRAWING NO	RESTRICTED TO	
MATERIAL SEE TABLE		FINISH -	WEIGHT -	A3	00779	C-1337463	-
CUSTOMER DRAWING			SCALE NTS	SHEET 1 OF 1	REV D		

X-ON Electronics

Largest Supplier of Electrical and Electronic Components

Click to view similar products for [RF Terminators](#) category:

Click to view products by [TE Connectivity](#) manufacturer:

Other Similar products are found below :

[M390303-02N](#) [M39030/3-04S](#) [M39030/3-09S](#) [M39030/3-11N](#) [TNG1-9-78-D3](#) [TNA2-50](#) [TNG1-6-78](#) [TNH1-1-50](#) [R404280000](#) [TNGFL1-1-78](#) [R4042N5000](#) [53S1RR-001N3](#) [142275](#) [56S1RR-001N4](#) [65_BNC-50-0-7/133_NE](#) [71S1RR-001N4](#) [02S17R-001D3](#) [R404240120](#) [R404260000](#) [HT-10-2](#) [FL LCX 50-OHM-RSMA](#) [M39030/3-04N](#) [TNA1-6-50](#) [131-3801-811](#) [TNA1-1-50](#) [65_N-50-0-51/113_NE](#) [65_BNC-50-0-2/133_NE](#) [65_N-50-0-1/133_NE](#) [65002_N-50-1/122_NE](#) [65_MMCX-50-0-31/111_OE](#) [18K15R-0.5E3](#) [2702702](#) [TRM-2161-M0-35M-02](#) [53S17R-001N3](#) [1100.19.0001](#) [6701.01.B](#) [18S24H-40ML5](#) [TRM-2053-M0-NNN-02](#) [R404759000](#) [M39030/6-02N](#) [TRM-2053-MC-NNN-02](#) [M39030/3-03S](#) [SF8012-6009](#) [6701.01.A](#) [65_MCX-50-0-4/111_NE](#) [65_716-50-0-2/003_-E](#) [65_SMB-50-0-1/111_NE](#) [M39030/3-12N](#) [82-5722-RFX](#) [8018-6174](#)