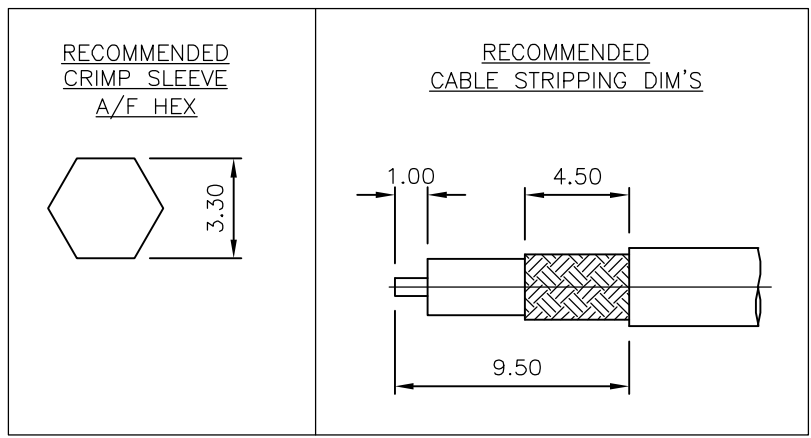
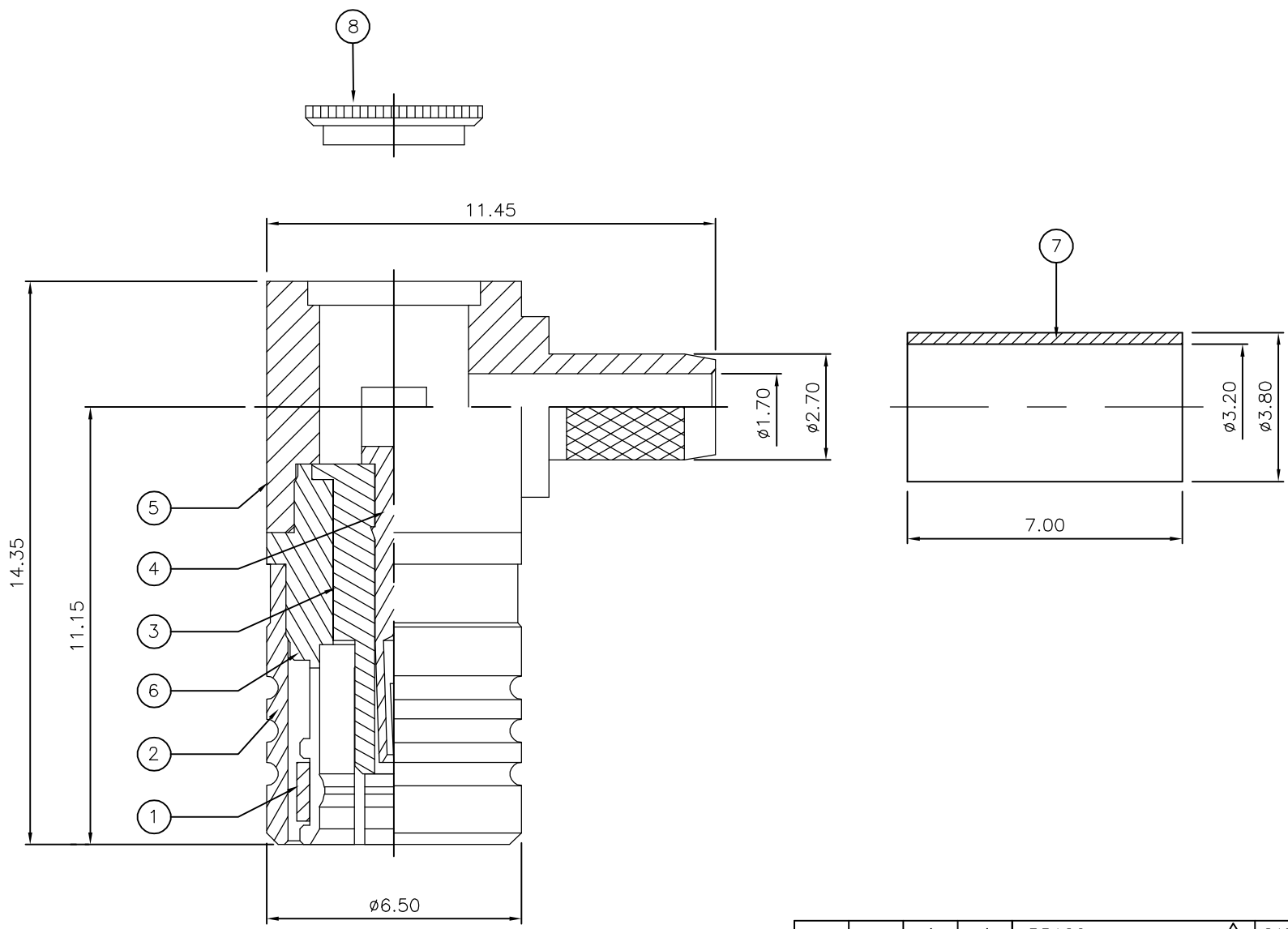


THIS DRAWING IS UNPUBLISHED. RELEASED FOR PUBLICATION JAN ,2006.  
 © COPYRIGHT 2006 BY TYCO ELECTRONICS CORPORATION. ALL RIGHTS RESERVED.

LOC	DIST	REVISIONS					
E	B	P	LTR	DESCRIPTION	DATE	DWN	APVD
		D		ECR-06-017313	18JUL06	JMS	FWK

- NOTES:**
- ① PACK IN ACCORDANCE WITH AMP SPEC 107-3275
  - ② 100 TRAY PACK IN ACCORDANCE WITH AMP SPEC 107-3275
  - ③ Au PLATING
  - 4 HAND TOOL : 9-1478240-0
  - 5 DIE SET : 9-1478248-0
  - 6 ELECTRICAL CHARACTERISTICS  
 FREQUENCY RANGE: DC - 4 GHz  
 NOMINAL IMPEDANCE: 50 Ohm  
 INSULATION RESISTANCE: 1000 MOhm  
 WORKING VOLTAGE: 250 Volts RMS at Sea Level  
 DIELECTRIC WITHSTAND VOLTAGE: 750 Volts RMS Max  
 CONTACT RESISTANCE:  
 CENTRE CONTACT: 6.00 mOhm Max  
 OUTER CONTACT: 1.00 mOhm Max  
 VSWR @ 3GHz: 1.63:1  
 INSERTION LOSS dB @ x 1.5 GHz: 0.60 Max
  - 7 MECHANICAL CHARACTERISTICS  
 COUPLING NUT RETENTION FORCE: N/A  
 CABLE RETENTION FORCE:  
 RG174A/U, 188A/U, 316/U, URM95: 85N Min  
 DURABILITY: 500 Cycles Min
  - 8 ENVIRONMENTAL CHARACTERISTICS  
 OPERATING TEMPERATURE: -65 to +165 DegC
  - 9 FOR TECHNICAL DATA REFER TO YOUR LOCAL TYCO ELECTRONICS SALES OFFICE
  - 10 ALL DIMENSIONS ARE NOMINAL FOR REFERENCE ONLY UNLESS OTHERWISE STATED



QTY	QTY	MATERIAL	DESCRIPTION	ITEM
1	1	BRASS	CAP	8
1	1	BRASS	FERRULE	7
1	1	BRASS	BODY	6
1	1	BRASS	CHASSIS	5
1	1	BERYLLIUM COPPER	CONTACT	4
1	1	PTFE	INSULATION	3
1	1	BRASS	SHELL	2
1	1	BERYLLIUM COPPER	SPRING	1
6--0	1--0	MATERIAL	DESCRIPTION	ITEM

THIS DRAWING IS A CONTROLLED DOCUMENT.		DWN J.SANDWELL 10JAN06	Tyco Electronics Corporation Bideford EX39 4HE	
DIMENSIONS: mm		CHK S.PARLOW 10JAN06	NAME SMB ELBOW PLUG CRIMP 50 OHM RG174A/U, 188A/U, 316/U, URM95, KX3B,KX22A	
TOLERANCES UNLESS OTHERWISE SPECIFIED:		APVD F.WHEELER-KING 10JAN06	PRODUCT SPEC	
0 PLC ± - 1 PLC ± - 2 PLC ± - 3 PLC ± - 4 PLC ± - ANGLES ± - FINISH -		APPLICATION SPEC 411-3247	SIZE A3	CAGE CODE 00779
MATERIAL SEE TABLE		WEIGHT -	DRAWING NO C-1337478	RESTRICTED TO -
CUSTOMER DRAWING			SCALE NTS	SHEET 1 OF 1
			REV D	

## X-ON Electronics

Largest Supplier of Electrical and Electronic Components

*Click to view similar products for [RF Connectors / Coaxial Connectors](#) category:*

*Click to view products by [TE Connectivity](#) manufacturer:*

Other Similar products are found below :

[8915-1511-000](#) [89674-0827](#) [6001-7071-019](#) [6002-7051-003](#) [6002-7551-202](#) [6059674-1](#) [619550-1](#) [630059-000](#) [M39030/3-01N](#) [6500-7071-046](#) [6769](#) [CX050L2AQ](#) [7002-1541-010](#) [7002-1542-011](#) [7004-1512-000](#) [7009-1511-004](#) [7010-1511-000](#) [7029-1511-060](#) [7101-1541-010](#) [7101-1571-002](#) [7105-1521-002](#) [7145-1521-002](#) [7203-1571-003](#) [7209-1511-011](#) [7210-1511-015](#) [7210-1511-019](#) [73137-5015](#) [73216-2241](#) [73404-2300](#) [7405-1521-005](#) [7405-1521-802](#) [8527](#) [8547](#) [FS11V](#) [877931](#) [9049-9513-000](#) [9074-9513-000](#) [9101-9573-002](#) [910A205F](#) [9130-9573-002](#) [PL11SC-026](#) [PL375-33](#) [PL40-5](#) [PL74C-221](#) [PL75MC-217](#) [PL803-7](#) [1200690078](#) [1-201144-1](#) [R107003010W](#) [R110A172100](#)