

THIS DRAWING IS UNPUBLISHED. RELEASED FOR PUBLICATION JAN , 2006.

© COPYRIGHT 2006 TE Connectivity Ltd.

ALL RIGHTS RESERVED.

REVISIONS

P	LTR	DESCRIPTION	DATE	DWN	APVD
	C1	ECR-19-006309	18APR2019	RZ	RS

NOTES:

- ① PACK IN ACCORDANCE WITH AMP SPEC 107-3275
- ② 100 TRAY PACK IN ACCORDANCE WITH AMP SPEC 107-3275
- ③ Au PLATING
- ④ Ni PLATING
- ⑤ THIS ITEM MUST BE WHITE

6 ELECTRICAL CHARACTERISTICS

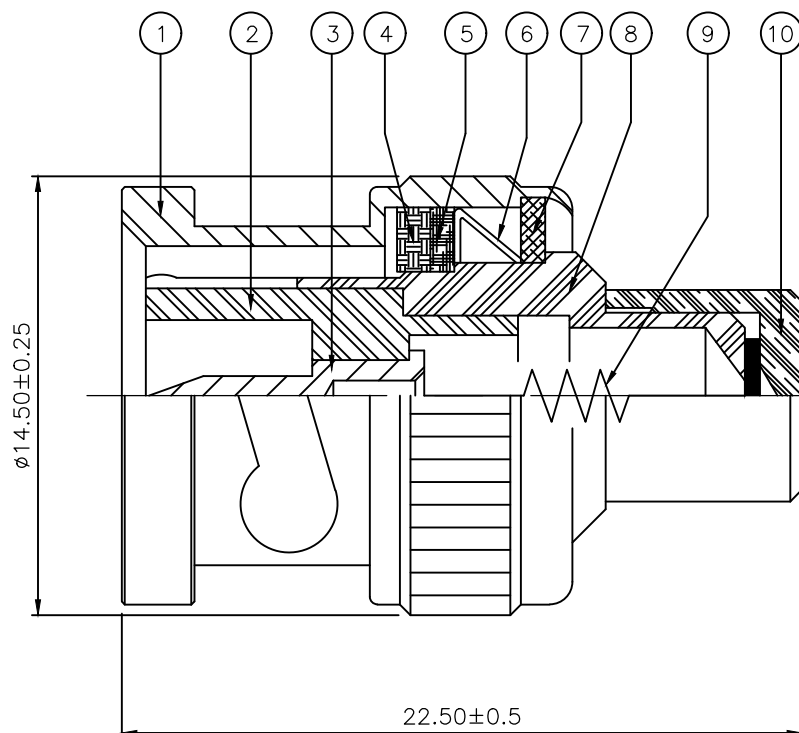
FREQUENCY RANGE:	DC - 1 GHz
NOMINAL IMPEDANCE:	50 Ohm
INSULATION RESISTANCE:	5000 MOhm
WORKING VOLTAGE:	500 Volts RMS at Sea Level
DIELECTRIC WITHSTAND VOLTAGE:	1500 Volts RMS Max
CONTACT RESISTANCE:	
CENTRE CONTACT:	1.50 mOhm Max
OUTER CONTACT:	0.20 mOhm Max
VSWR @ xGHz:	TBA
INSERTION LOSS xdb:	TBA

7 MECHANICAL CHARACTERISTICS

COUPLING RETENTION FORCE:	445N
CABLE RETENETION FORCE:	N/A
DURABILITY:	500 Cycles Min

8 ENVIRONMENTAL CHARACTERISTICS

OPERATING TEMPERATURE:	-65 to +165 DegC
------------------------	------------------



QTY	QTY PER ASSY	DESCRIPTION	ITEM
1	1	BRASS	④ CAP
1	1	1/2W-500HM	RESISTOR
1	1	BRASS	④ BODY
1	1	BRASS	④ WASHER
1	1	SPRING STEEL	SPRING
1	1	BRASS	④ RETAINING RING
1	1	SILICONE RUBBER	⑤ GASKET
1	1	BRASS	③ CONTACT
1	1	PTFE	INSULATION
1	1	BRASS	④ SHELL
6--0	1--0	MATERIAL	DESCRIPTION
④	④		

QUANTITY PER ASSY PARTS LIST

THIS DRAWING IS A CONTROLLED DOCUMENT.		DWN J.SANDWELL 25JAN06	 TE Connectivity											
DIMENSIONS: mm		CHK S.PARLOW 25JAN06												
TOLERANCES UNLESS OTHERWISE SPECIFIED:		APVD F.WHEELER-KING 25JAN06												
<table> <tr> <td>0 PLC</td> <td>± -</td> </tr> <tr> <td>1 PLC</td> <td>± -</td> </tr> <tr> <td>2 PLC</td> <td>± -</td> </tr> <tr> <td>3 PLC</td> <td>± -</td> </tr> <tr> <td>4 PLC</td> <td>± -</td> </tr> <tr> <td>ANGLES</td> <td>± -</td> </tr> </table>		0 PLC				± -	1 PLC	± -	2 PLC	± -	3 PLC	± -	4 PLC	± -
0 PLC	± -													
1 PLC	± -													
2 PLC	± -													
3 PLC	± -													
4 PLC	± -													
ANGLES	± -													
MATERIAL SEE TABLE	FINISH -	APPLIC. SPEC -	NAME BNC PLUG TERMINATION 50 OHM +/- 1.0%	SIZE A3	CAGE CODE 00779	DRAWING NO C-1337523	RESTRICTED TO -							
CUSTOMER DRAWING			WEIGHT 0.000000	SCALE NTS	SHEET 1 OF 1	REV C1								

X-ON Electronics

Largest Supplier of Electrical and Electronic Components

Click to view similar products for [RF Terminators](#) category:

Click to view products by [TE Connectivity](#) manufacturer:

Other Similar products are found below :

[M390303-02N](#) [M39030/3-04S](#) [M39030/3-09S](#) [M39030/3-11N](#) [TNG1-9-78-D3](#) [TNA2-50](#) [TNG1-6-78](#) [TNH1-1-50](#) [R404280000](#) [TNGFL1-1-78](#) [R4042N5000](#) [53S1RR-001N3](#) [142275](#) [56S1RR-001N4](#) [65_BNC-50-0-7/133_NE](#) [71S1RR-001N4](#) [02S17R-001D3](#) [R404240120](#) [R404260000](#) [HT-10-2](#) [FL LCX 50-OHM-RSMA](#) [M39030/3-04N](#) [TNA1-6-50](#) [131-3801-811](#) [TNA1-1-50](#) [65_N-50-0-51/113_NE](#) [65_BNC-50-0-2/133_NE](#) [65_N-50-0-1/133_NE](#) [65002_N-50-1/122_NE](#) [65_MMCX-50-0-31/111_OE](#) [18K15R-0.5E3](#) [2702702](#) [TRM-2161-M0-35M-02](#) [53S17R-001N3](#) [1100.19.0001](#) [18S24H-40ML5](#) [TRM-2053-M0-NNN-02](#) [R404759000](#) [M39030/6-02N](#) [TRM-2080-M0-NNN-07](#) [TRM-2053-MC-NNN-02](#) [M39030/3-03S](#) [SF8012-6009](#) [6701.01.A](#) [65_MCX-50-0-4/111_NE](#) [65_716-50-0-2/003_-E](#) [65_SMB-50-0-1/111_NE](#) [M39030/3-12N](#) [82-5722-RFX](#) [8018-6174](#)