

THIS DRAWING IS UNPUBLISHED. RELEASED FOR PUBLICATION AUGUST, 2006.
 © COPYRIGHT 2006 By - ALL RIGHTS RESERVED.

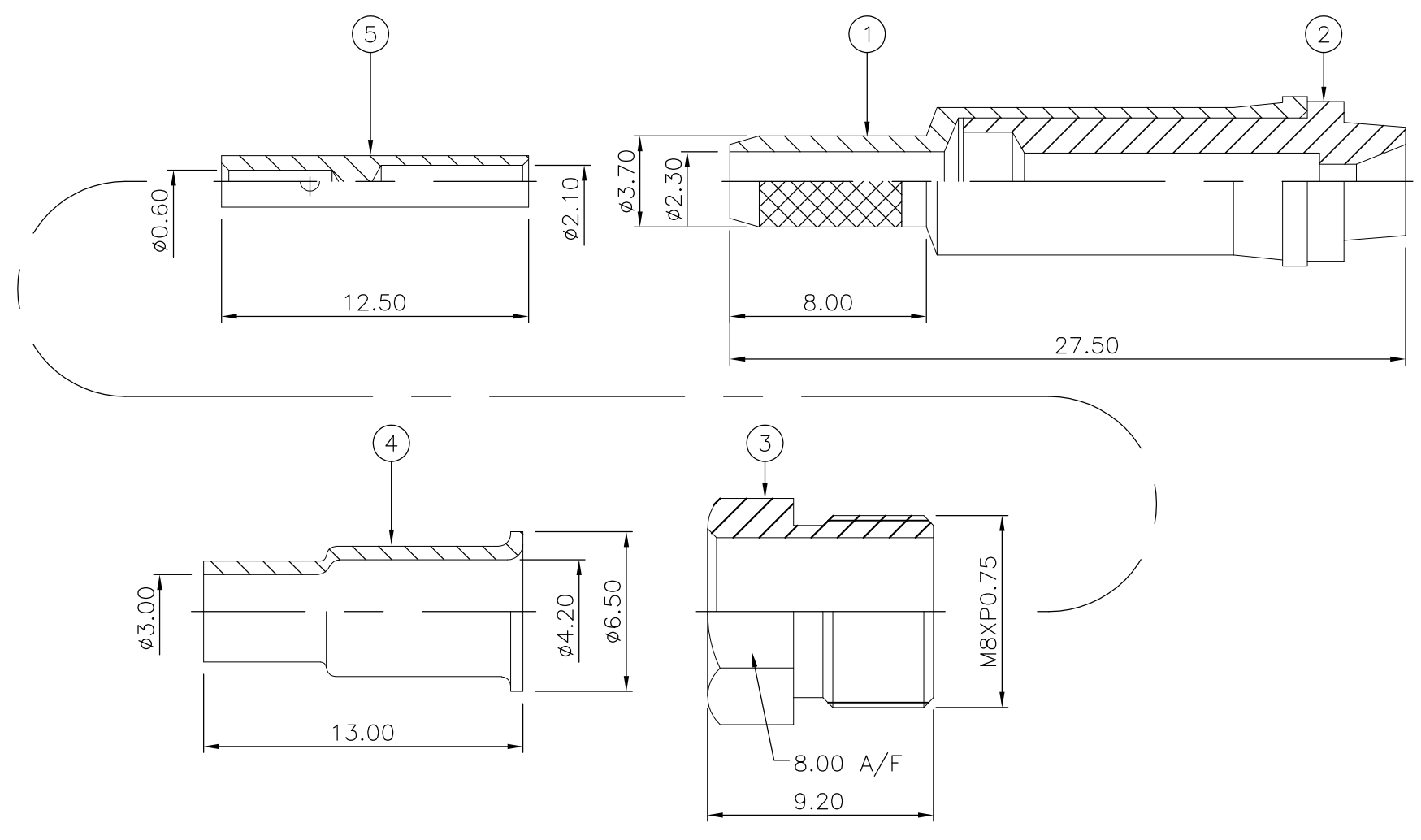
LOC	DIST	REVISIONS					
E	B	P	LTR	DESCRIPTION	DATE	DWN	APVD
			C1	REVISED PER ECO-11-005033	01APR11	RK	HMR

- NOTES**
- 1 SINGLE PACK IN ACCORDANCE WITH AMP SPEC 107-3275
 - 2 50 TRAY PACK IN ACCORDANCE WITH AMP SPEC 107-3275
 - 3 Au PLATING
 - 4 Ni PLATING
 - 5 HAND TOOL: 9-1478240-0
 - 6 DIE SET: 9-1478248-0
 - 7 ELECTRICAL CHARACTERISTICS

FREQUENCY RANGE:	DC - 2 GHz
NOMINAL IMPEDANCE:	50 Ohm
INSULATION RESISTANCE:	5000 MOhm
WORKING VOLTAGE:	100 Volts RMS at Sea Level
DIELECTRIC WITHSTAND VOLTAGE:	1000 Volts RMS Max
CONTACT RESISTANCE:	
CENTRE CONTACT:	10.00 mOhm Max
OUTER CONTACT:	5.00 mOhm Max
VSWR @ 1.8GHz:	1.30:1 Max
INSERTION LOSS dB @ x 1.8 GHz:	0.20 Max
 - 8 MECHANICAL CHARACTERISTICS

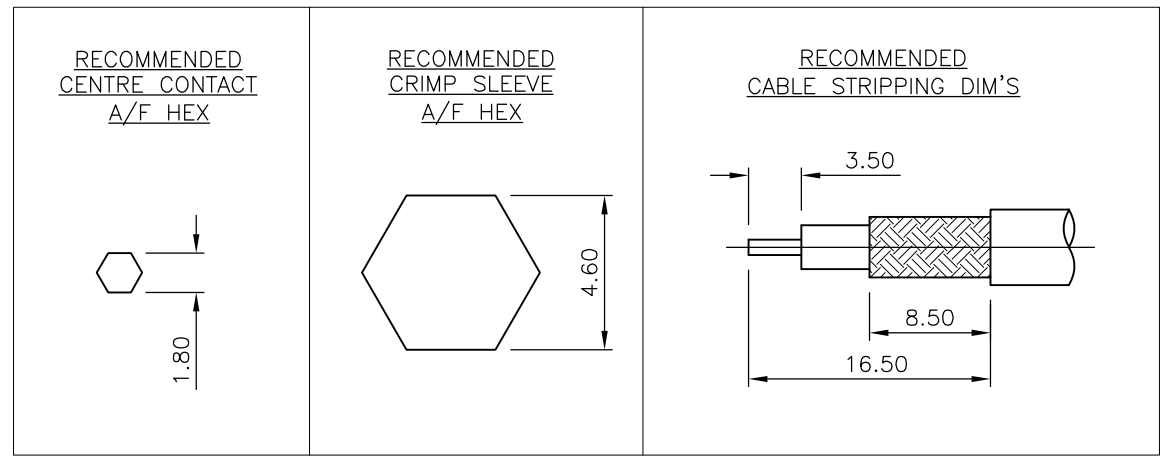
CABLE RETENTION FORCE:	
RG58C/U, 141A/U, URM43, 76	170N Min
RG174A/U, 188A/U, 316/U, URM95	85N Min
DURABILITY:	500 Cycles Min
 - 9 ENVIRONMENTAL CHARACTERISTICS

OPERATING TEMPERATURE:	-55 to +85 DegC
------------------------	-----------------
 - 10 FOR TECHNICAL DATA REFER TO YOUR LOCAL TE CONNECTIVITY SALES OFFICE
 - 11 ALL DIMENSIONS ARE NOMINAL FOR REFERENCE ONLY UNLESS OTHERWISE STATED



QTY	UNIT	MATERIAL	DESCRIPTION	ITEM
1	1	BRASS	CONTACT	5
1	1	BRASS	FERRULE	4
1	1	BRASS	NUT	3
1	1	DELIRIN	INSULATION	2
1	1	BRASS	BODY	1
6--0	1--0	MATERIAL	DESCRIPTION	ITEM

QUANTITY PER ASSY PARTS LIST



THIS DRAWING IS A CONTROLLED DOCUMENT.

DWN	J.SANDWELL	25AUG06
CHK	S.PARLOW	25AUG06
APVD	F.WHEELER-KING	25AUG06

NAME: FME STRAIGHT JACK CRIMP 50 OHM
 RG174A/U, 188A/U, 316/U, URM95, KX3B, KX22A

SIZE	CAGE CODE	DRAWING NO	RESTRICTED TO
A3	00779	C-1337551	-

CUSTOMER DRAWING SCALE: NTS SHEET: 1 OF 1 REV: C1

X-ON Electronics

Largest Supplier of Electrical and Electronic Components

Click to view similar products for [RF Connectors / Coaxial Connectors](#) category:

Click to view products by [TE Connectivity](#) manufacturer:

Other Similar products are found below :

[R125315120](#) [8915-1511-000](#) [89674-0827](#) [5916-1103-603](#) [0106-001-000](#) [6-0001-3](#) [6001-7071-019](#) [6002-7051-003](#) [6002-7551-202](#) [6059674-1](#) [619550-1](#) [630059-000](#) [M39012/25-0021](#) [M39012/79-3008](#) [M39030/3-01N](#) [M39030/3-03N](#) [M3933/25-29N](#) [M3933/25-36N](#) [6500-7071-046](#) [6501-1071-002](#) [M83723/72W24576](#) [M83723/72W2457N](#) [6769](#) [CX050L2AQ](#) [7002-1541-010](#) [7002-1572-002](#) [7003-1572-002](#) [7004-1512-000](#) [7009-1511-004](#) [7010-1511-000](#) [7029-1511-060](#) [7101-1541-010](#) [7101-1571-002](#) [7105-1521-002](#) [7145-1521-002](#) [7209-1511-011](#) [7210-1511-012](#) [7210-1511-015](#) [7210-1511-019](#) [7210-1511-040](#) [7225-1512-050](#) [7242-1511-000](#) [73137-5015](#) [73251-0111](#) [73251-0672](#) [73276-1501](#) [73366-0013](#) [73404-2300](#) [73413-6080](#) [734151610](#)