

THIS DRAWING IS UNPUBLISHED.

RELEASED FOR PUBLICATION

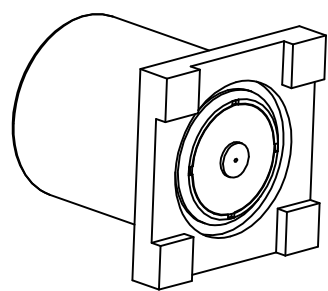
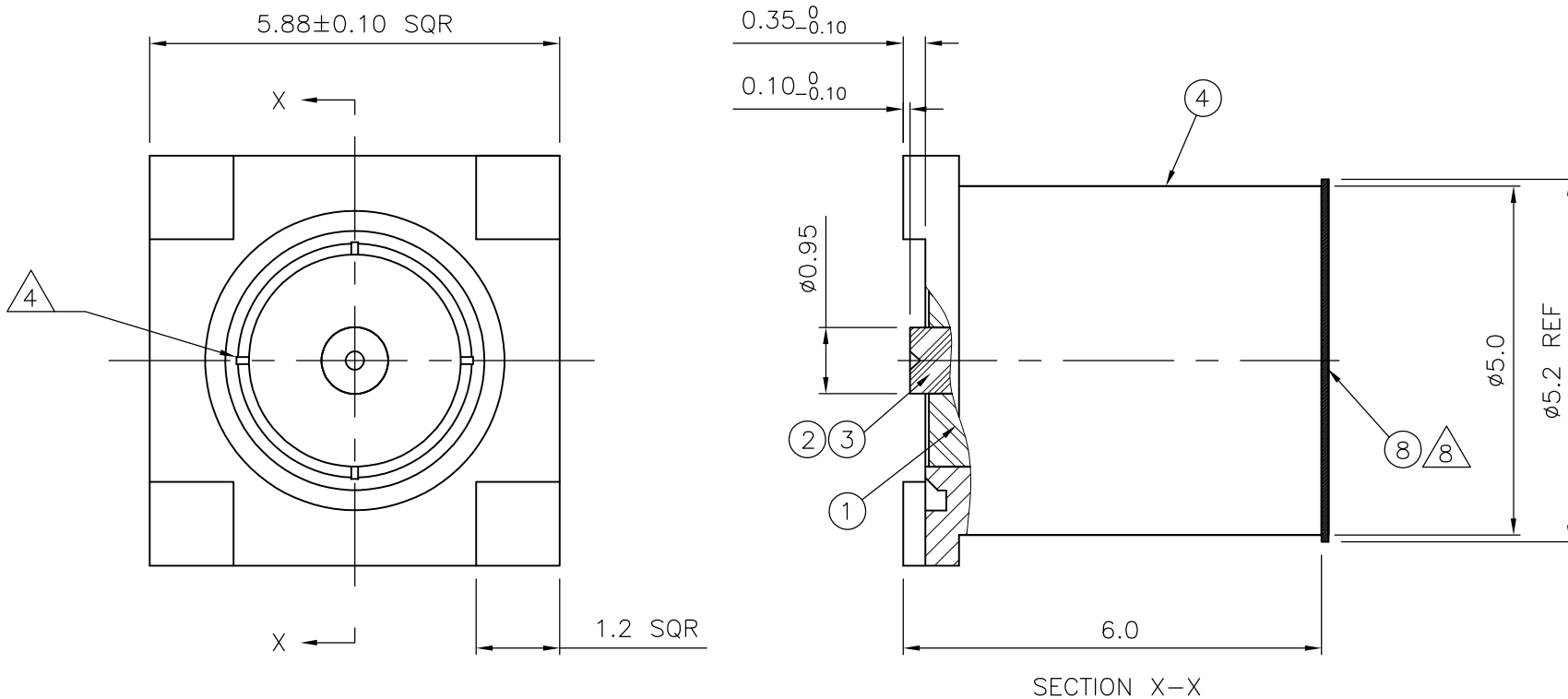
© COPYRIGHT - By -

ALL RIGHTS RESERVED.

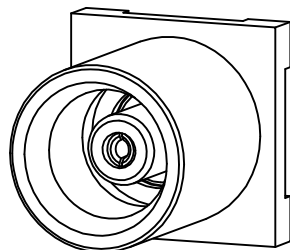
LOC	DIST	REVISIONS			
P	LTR	DESCRIPTION	DATE	DWN	APVD
E	B				
	D	ECO-13-010895	17JUN2014	RZ	MC

NOTES:

- 1 PACKAGE ONE COMPLETE CONNECTOR IN HEAT SEALED, LABELED BAG. LABELED PER TEC-107-115
- 2 TAPE AND REEL PACKAGING OPTION AS PER NOTES 13 AND 14
- 3 0.1-0.2µm Au PLATING
- 4 FOUR POINT INDENT STAGGERED 90° ON RADIUS
- 5 0.8µm Au PLATING
- 6. DIELECTRIC MUST WITHSTAND A 10 N AXIAL RETENTION FORCE AFTER INDENT
- 7. COAX CONNECTOR CONFORMS WITH SPEC CECC 22220
- 8 KAPTON CAP SHOWS JUST FOR 6-1337582-0



SCALE 5:1



SCALE 5:1

QTY	PLC	PLC	PLC	MATERIAL	DESCRIPTION	ITEM No
-	1	-	-	PLOYIMIDE GREEN	KAPTON GREEN CAP	8
1	1	-	-	POLYSTRENE REGRIND BLACK	REEL 13"	7
1	1	-	-	PET TRANSPARENT	COVER BELT FOR BLISTER BELT	6
1	1	-	-	POLYSTRENE VOLUME CONDUCTIVE	BLISTER BELT	5
1	1	1	1	BRASS	BODY	4
1	-	1	-	PHOSPHOR BRONZE	FEMALE CONTACT	3
-	1	-	1	PHOSPHOR BRONZE	FEMALE CONTACT	2
1	1	1	1	PTFE	DIELECTRIC	1
6--1	6--0	1--1	1--0			
2	2	1	1			

THIS DRAWING IS A CONTROLLED DOCUMENT.		DWN J.SANDWELL 10NOV2004	TE Connectivity	
		CHK S.PARLOW 10NOV2004		
		APVD F.WHEELER-KING 10NOV2004	NAME	
DIMENSIONS: mm		PRODUCT SPEC 108-3640		MCX SMD PCB SOCKET
TOLERANCES UNLESS OTHERWISE SPECIFIED:		APPLICATION SPEC		
0 PLC ± - 1 PLC ± 0.5 2 PLC ± 0.13 3 PLC ± 0.013 4 PLC ± 0.0001 ANGLES ± -		SIZE		RESTRICTED TO
MATERIAL SEE TABLE		WEIGHT		A3 00779 C-1337582
		FINISH		SCALE 10:1 SHEET 1 OF 2 REV D
		CUSTOMER DRAWING		

THIS DRAWING IS UNPUBLISHED.

RELEASED FOR PUBLICATION

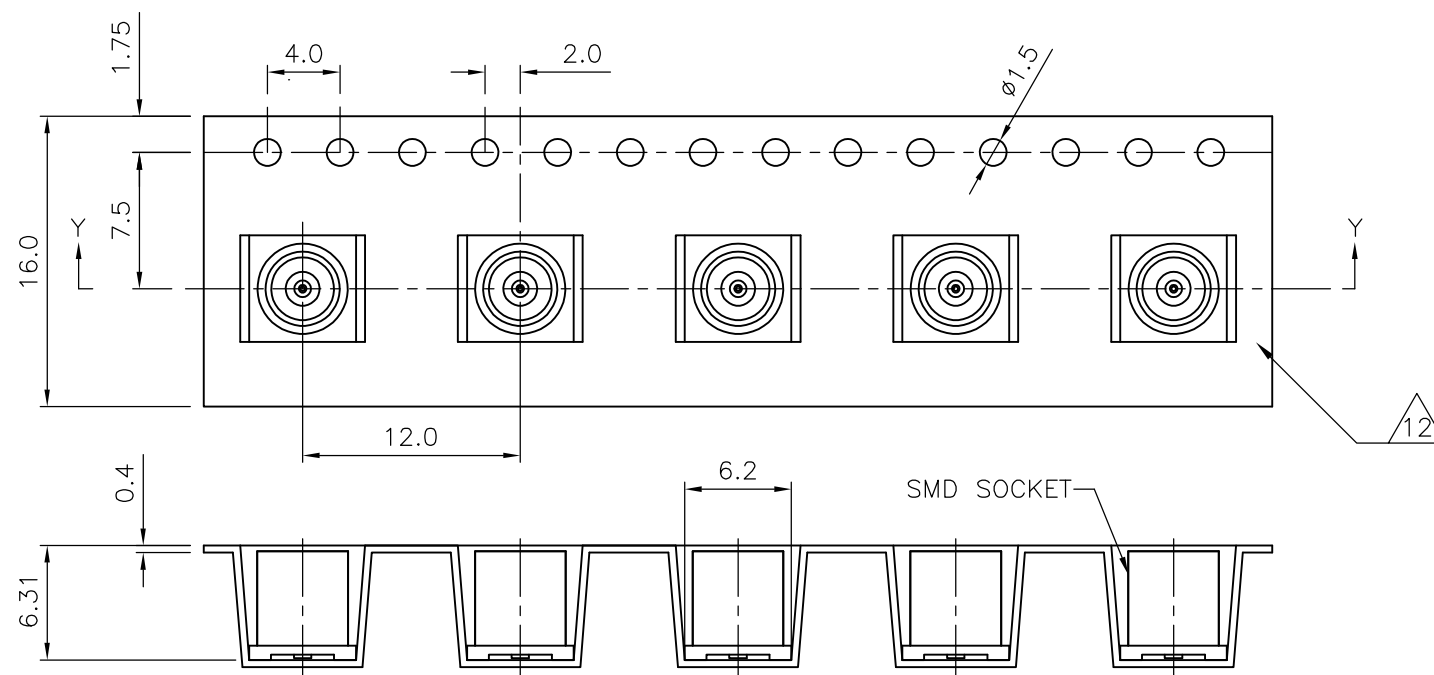
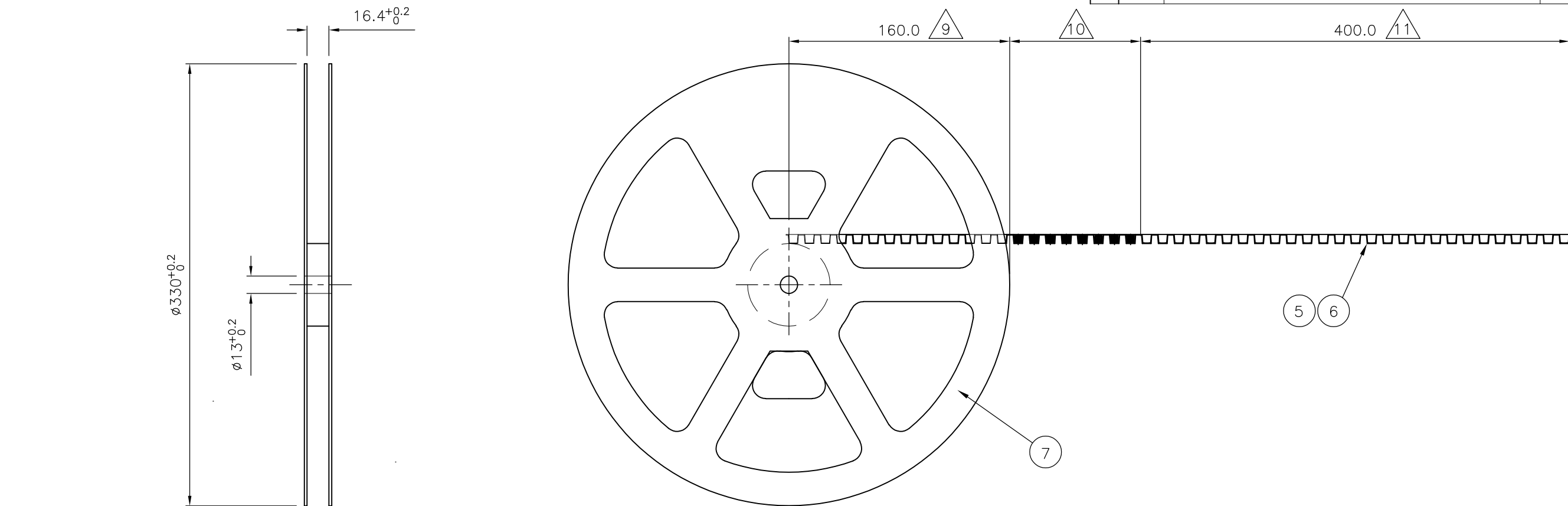
ALL RIGHTS RESERVED.

© COPYRIGHT - By -

LOC E DIST B

REVISIONS

P	LTR	DESCRIPTION	DATE	DWN	APVD
-	-	SEE SHEET 1	-	-	-



NOTES (CONT):

- 9 LAST RUNNING ACCORDING TO IEC 60286-3
- 10 BLISTER BELT FILLED WITH PARTS
- 11 400mm EMPTY BLISTER BELT, SEALED WITH COVER TAPE
- 12 BLISTER BELT ACCORDING TO IEC 60286-3
- 13. UNIT PER REEL: 800 PIECES
- 14. SMD-STRIP-PACKAGING ACCORDING TO IEC 60286-2

THIS DRAWING IS A CONTROLLED DOCUMENT.		DWN J.SANDWELL 10NOV2004		STE TE Connectivity	
DIMENSIONS: mm		CHK S.PARLOW 10NOV2004			
TOLERANCES UNLESS OTHERWISE SPECIFIED:		APVD F.WHEELER-KING 10NOV2004		NAME MCX SMD PCB SOCKET	
0 PLC ± -		PRODUCT SPEC		SIZE	
1 PLC ± -		APPLICATION SPEC		CAGE CODE	
2 PLC ± -		WEIGHT -		DRAWING NO	
3 PLC ± -		CUSTOMER DRAWING		RESTRICTED TO	
4 PLC ± -		SCALE NTS		SHEET 2 OF 2	
ANGLES ± -		A3 00779		REV D	
FINISH -		C-1337582			

SECTION Y-Y

X-ON Electronics

Largest Supplier of Electrical and Electronic Components

Click to view similar products for [RF Connectors / Coaxial Connectors](#) category:

Click to view products by [TE Connectivity](#) manufacturer:

Other Similar products are found below :

[8915-1511-000](#) [89674-0827](#) [6001-7071-019](#) [6002-7051-003](#) [6002-7551-202](#) [6059674-1](#) [619550-1](#) [630059-000](#) [M39030/3-01N](#) [6500-7071-046](#) [6769](#) [CX050L2AQ](#) [7002-1541-010](#) [7002-1542-011](#) [7004-1512-000](#) [7009-1511-004](#) [7010-1511-000](#) [7029-1511-060](#) [7101-1541-010](#) [7101-1571-002](#) [7105-1521-002](#) [7145-1521-002](#) [7203-1571-003](#) [7209-1511-011](#) [7210-1511-015](#) [7210-1511-019](#) [73137-5015](#) [73216-2241](#) [73404-2300](#) [7405-1521-005](#) [7405-1521-802](#) [8527](#) [8547](#) [FS11V](#) [877931](#) [9049-9513-000](#) [9074-9513-000](#) [9101-9573-002](#) [910A205F](#) [9130-9573-002](#) [PL11SC-026](#) [PL375-33](#) [PL40-5](#) [PL74C-221](#) [PL75MC-217](#) [PL803-7](#) [1200690078](#) [1-201144-1](#) [R107003010W](#) [R110A172100](#)