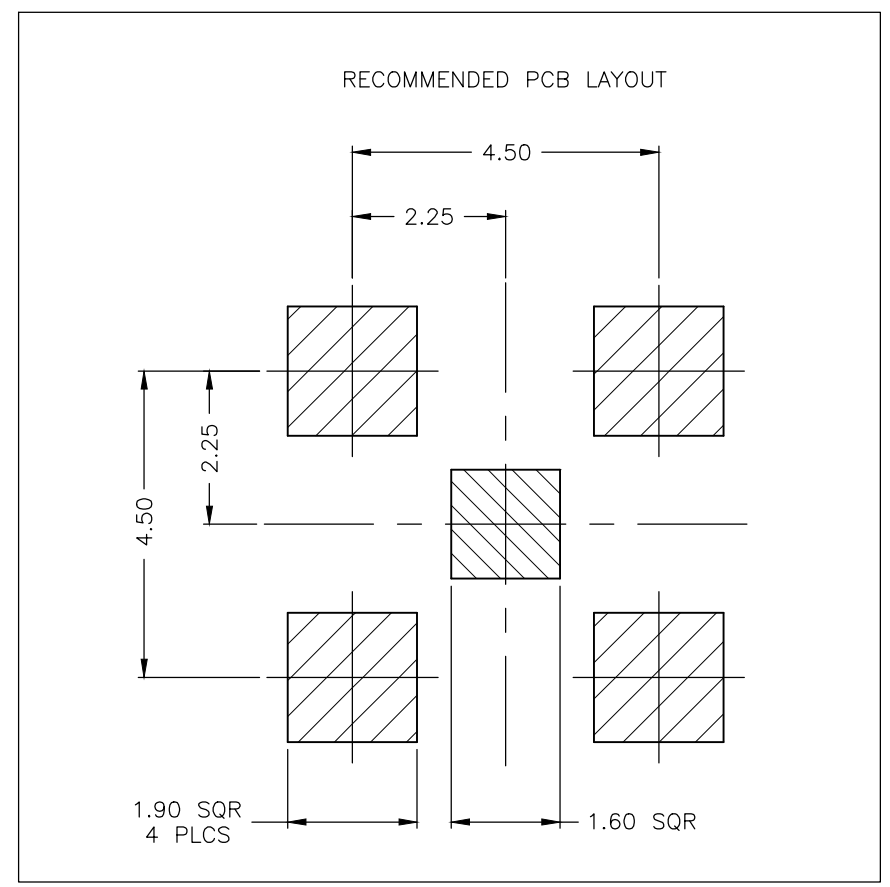
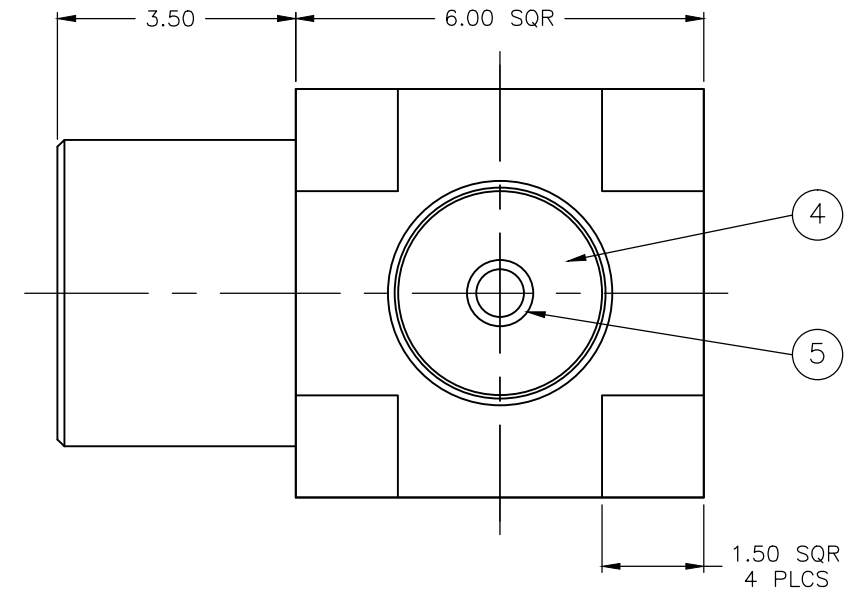
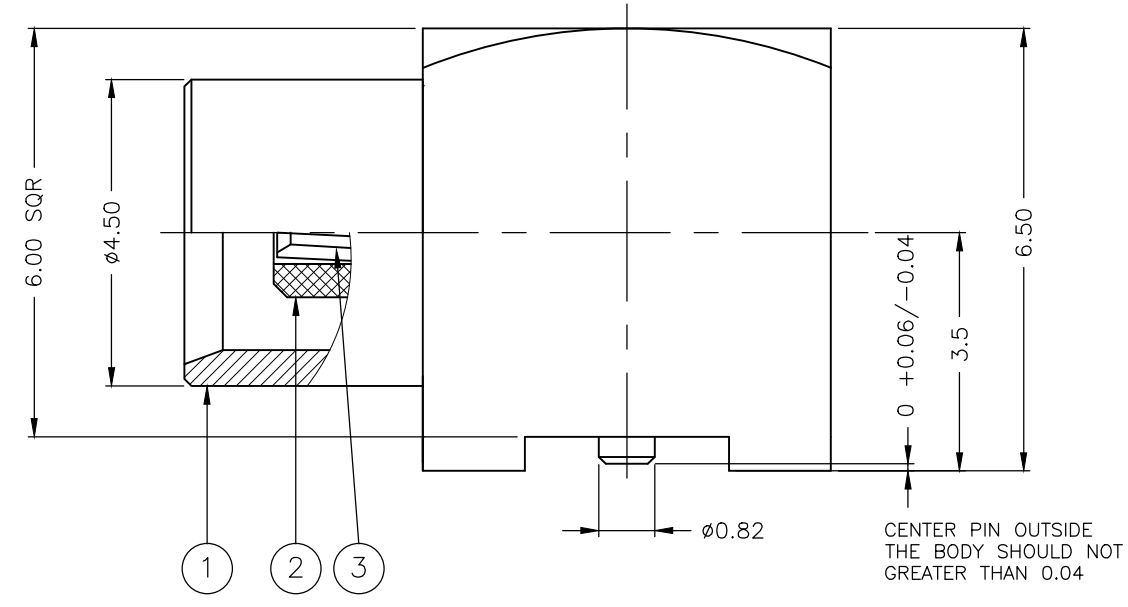


THIS DRAWING IS UNPUBLISHED. RELEASED FOR PUBLICATION FEB ,2006.  
 © COPYRIGHT 2006 By - ALL RIGHTS RESERVED.

REVISIONS					
P	LTR	DESCRIPTION	DATE	DWN	APVD
	E2	REVISE PER ECR-17-007278	19MAY2017	BW	RS

NOTES:

- 1 SINGLE PACKING: ONE CONNECTOR PER LABELED BAG PACKAGED. LABELED PER TEC-107-115
- 2 TAPE AND REEL PACKAGING OPTION AS PER NOTES 9 AND 16
- 3 Au PLATING
- 4 ELECTRICAL CHARACTERISTICS  
 FREQUENCY RANGE: DC - 6 GHz  
 NOMINAL IMPEDANCE: 50 Ohm  
 INSULATION RESISTANCE: 500 MOhm  
 WORKING VOLTAGE: 335 Volts RMS at Sea Level  
 DIELECTRIC WITHSTAND VOLTAGE: 1000 Volts RMS Max  
 CONTACT RESISTANCE:  
   CENTER CONTACT: 5.00 mOhm Max  
   OUTER CONTACT: 2.50 mOhm Max  
 VSWR @ 6GHz: 1.5 Max  
 INSERTION LOSS dB @ x 1.0 GHz: 0.10 Max
- 5 MECHANICAL CHARACTERISTICS  
 ENGAGEMENT FORCE: 63 N Max  
 SEPARATION FORCE: 8N Min TO 20N Max  
 DURABILITY: 500 Cycles Min
- 6 ENVIRONMENTAL CHARACTERISTICS  
 OPERATING TEMPERATURE: -40 to +85 °C
- 7. FOR TECHNICAL DATA REFER TO YOUR LOCAL TYCO ELECTRONICS SALES OFFICE
- 8. ALL DIMENSIONS ARE NOMINAL FOR REFERENCE ONLY UNLESS OTHERWISE STATED



QTY	PLCS	MATERIAL	DESCRIPTION	ITEM
1	1	BRASS	CONTACT	5
1	1	PTFE	INSULATION	4
1	1	BERYLLIUM COPPER	CONTACT	3
1	1	PTFE	INSULATION	2
1	1	BRASS	BODY	1
6--0	1--0	MATERIAL	DESCRIPTION	ITEM
QUANTITY PER ASSY		PARTS LIST		

THIS DRAWING IS A CONTROLLED DOCUMENT.		DWN	J.SANDWELL	02FEB06	<b>STE</b> TE Connectivity
		CHK	S.PARLOW	02FEB06	
		APVD	F.WHEELER-KING	02FEB06	
		PRODUCT SPEC			
DIMENSIONS: mm		TOLERANCES UNLESS OTHERWISE SPECIFIED:		NAME	
		0 PLC ± -		MCX SURFACE MOUNT ELBOW PCB SOCKET 50 OHM	
		1 PLC ± 0.2			
		2 PLC ± 0.1			
		3 PLC ± -			
		4 PLC ± -			
		ANGLES ± -			
MATERIAL		FINISH		SIZE	
SEE TABLE		-		A300779	
				DRAWING NO	
				C-1337583	
		WEIGHT		RESTRICTED TO	
		0		-	
CUSTOMER DRAWING		SCALE		SHEET	
		NTS		1 OF 2	
				REV	
				E2	

THIS DRAWING IS UNPUBLISHED.

RELEASED FOR PUBLICATION FEB , 2006.

REVISIONS

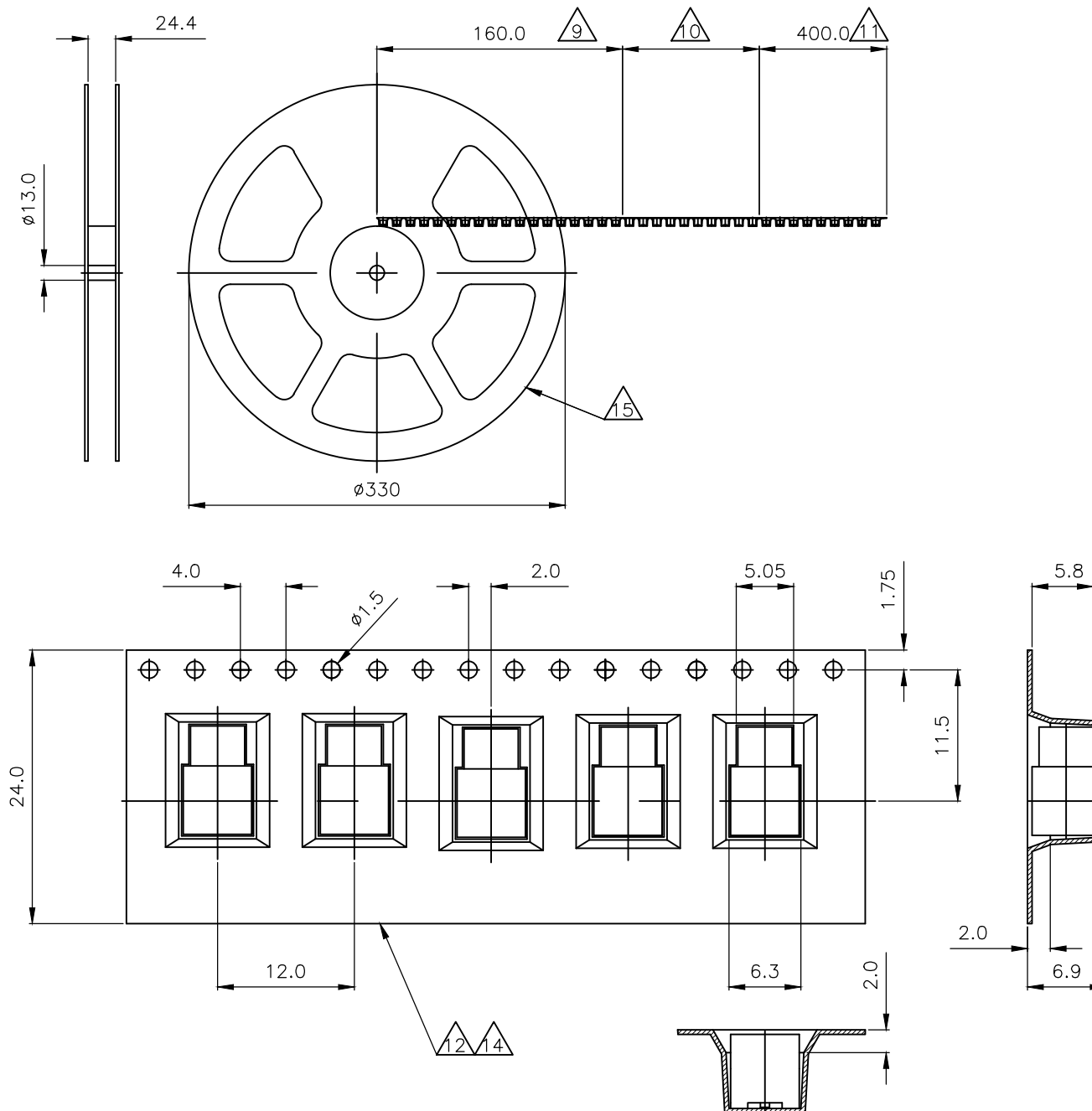
© COPYRIGHT 2006 By -


ALL RIGHTS RESERVED.

P	LTR	DESCRIPTION	DATE	DWN	APVD
-	-	SEE SHEET 1	-	-	-

NOTES (CONT):

- 9 LAST RUNNING ACCORDING TO IEC 60286-3
- 10 BLISTER BELT FILLED WITH PARTS
- 11 400mm EMPTY BLISTER BELT, SEALED WITH COVER TAPE
- 12 BLISTER BELT ACCORDING TO IEC 60286-3
- 13 UNIT PER REEL: 750 PIECES
- 14 VOLUME-CONDUCTIVE MATERIAL
- 15 MADE FROM POLYSTYRENE
- 16 SMD-STRIP-PACKAGING ACCORDING TO IEC 60286-2



THIS DRAWING IS A CONTROLLED DOCUMENT.		DWN J.SANDWELL 02FEB06	 <b>TE Connectivity</b>														
DIMENSIONS: mm		CHK S.PARLOW 02FEB06															
TOLERANCES UNLESS OTHERWISE SPECIFIED:		APVD F.WHEELER-KING 02FEB06	NAME MCX SURFACE MOUNT ELBOW PCB SOCKET 50 OHM														
<table border="0"> <tr><td>0 PLC</td><td>± -</td></tr> <tr><td>1 PLC</td><td>± -</td></tr> <tr><td>2 PLC</td><td>± -</td></tr> <tr><td>3 PLC</td><td>± -</td></tr> <tr><td>4 PLC</td><td>± -</td></tr> <tr><td>ANGLES</td><td>± -</td></tr> </table>		0 PLC	± -	1 PLC	± -	2 PLC	± -	3 PLC	± -	4 PLC	± -	ANGLES	± -	PRODUCT SPEC -	-		
0 PLC	± -																
1 PLC	± -																
2 PLC	± -																
3 PLC	± -																
4 PLC	± -																
ANGLES	± -																
MATERIAL SEE TABLE		FINISH -	APPLICATION SPEC -	SIZE A3	CAGE CODE 00779	DRAWING NO C-1337583	RESTRICTED TO -										
CUSTOMER DRAWING			WEIGHT -	SCALE NTS	SHEET 2 OF 2	REV E2											

## X-ON Electronics

Largest Supplier of Electrical and Electronic Components

*Click to view similar products for [RF Connectors](#) / [Coaxial Connectors](#) category:*

*Click to view products by [TE Connectivity](#) manufacturer:*

Other Similar products are found below :

[8915-1511-000](#) [89674-0827](#) [6001-7071-019](#) [6002-7051-003](#) [6002-7551-202](#) [6059674-1](#) [619550-1](#) [630059-000](#) [M39030/3-01N](#) [6500-7071-046](#) [6769](#) [CX050L2AQ](#) [7002-1541-010](#) [7002-1542-011](#) [7004-1512-000](#) [7009-1511-004](#) [7010-1511-000](#) [7029-1511-060](#) [7101-1541-010](#) [7101-1571-002](#) [7145-1521-002](#) [7203-1571-003](#) [7209-1511-011](#) [7210-1511-015](#) [7210-1511-019](#) [73137-5015](#) [73216-2241](#) [73404-2300](#) [7405-1521-005](#) [7405-1521-802](#) [8527](#) [8547](#) [FS11V](#) [877931](#) [8808-1511-001](#) [9049-9513-000](#) [9074-9513-000](#) [9101-9573-002](#) [910A205F](#) [9130-9573-002](#) [PL11SC-026](#) [PL375-33](#) [PL40-5](#) [PL74C-221](#) [PL75MC-217](#) [PL803-7](#) [1200690078](#) [1-201144-1](#) [R107003010W](#) [R110A172100](#)