

P	LTR	DESCRIPTION	DATE	DWN	APVD
	D1	REVISED PER ECR-20-013532	23SEP2020	ED	RS

NOTES:

1 SINGLE PACKING: ONE CONNECTOR PER LABELED BAG PACKAGED. LABELED PER TEC-107-115

2 TRAY PACKAGED

3 Au PLATING

4 ELECTRICAL CHARACTERISTICS

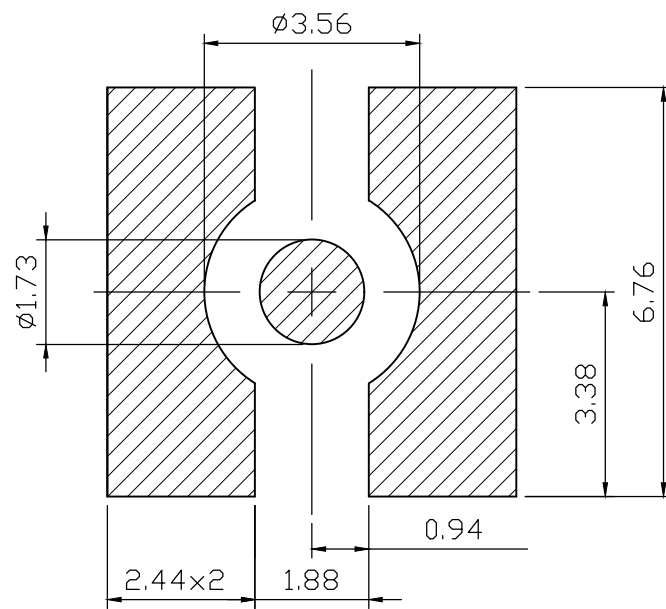
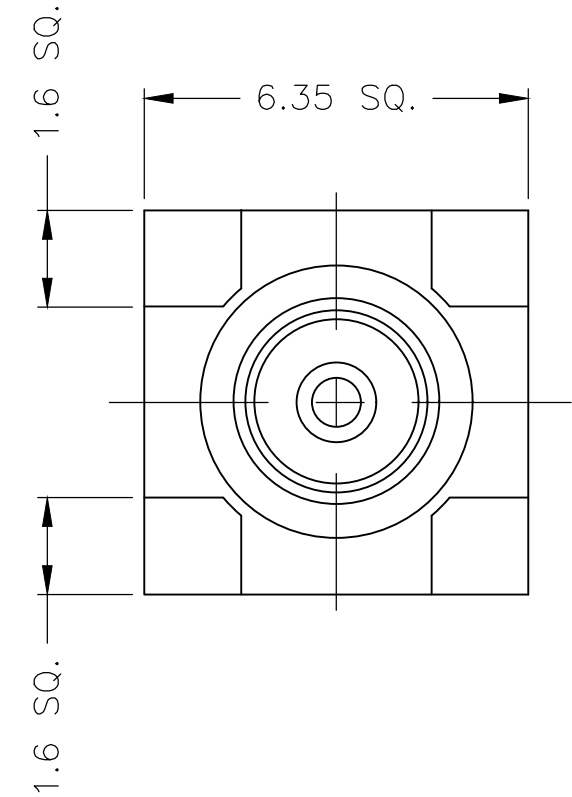
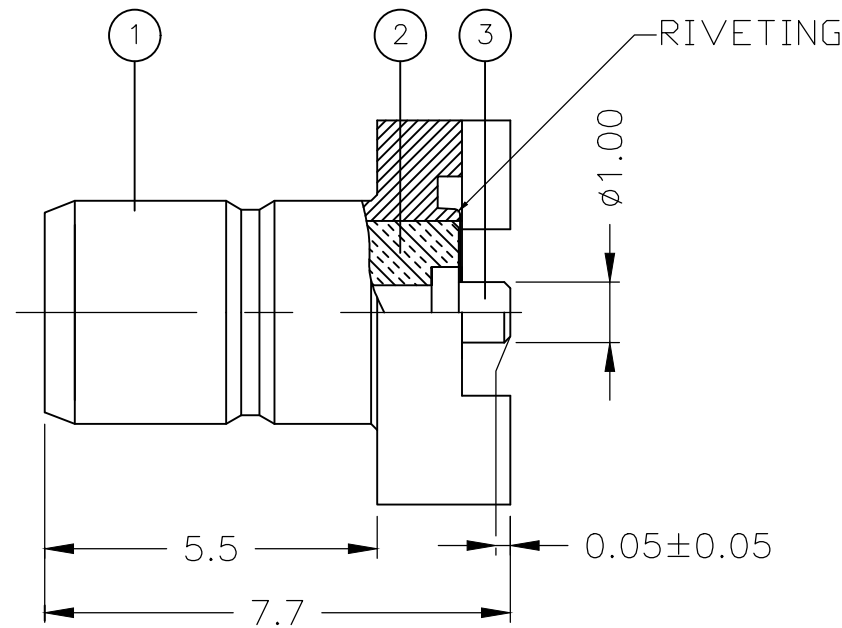
FREQUENCY RANGE: DC - 4 GHz
 NOMINAL IMPEDANCE: 50 Ohm
 INSULATION RESISTANCE: 1000 MOhm
 WORKING VOLTAGE: 250 Volts RMS at Sea Level
 DIELECTRIC WITHSTAND VOLTAGE: 750 Volts RMS Max
 CONTACT RESISTANCE:
 CENTRE CONTACT: 6.00 mOhm Max
 OUTER CONTACT: 1.00 mOhm Max

5 MECHANICAL CHARACTERISTICS

DURABILITY: 500 Cycles Min

6 ENVIRONMENTAL CHARACTERISTICS

OPERATING TEMPERATURE: -65°C to +165°C



RECOMMENDED PCB LAYOUT

QUANTITY PER ASSY	DESCRIPTION	ITEM
1	BRASS CONTACT	3
1	PTFE INSULATION	2
1	BRASS BODY	1
6--0	1--0 MATERIAL	DESCRIPTION
		ITEM

THIS DRAWING IS A CONTROLLED DOCUMENT.		DWN	J.SANDWELL	13FEB06
DIMENSIONS: mm		CHK	S.PARLOW	13FEB06
TOLERANCES UNLESS OTHERWISE SPECIFIED:		APVD	F.WHEELER-KING	13FEB06
0 PLC	± -	NAME		
1 PLC	± 0.2	SMB SURFACE MOUNT STRAIGHT PCB SOCKET 50 OHM		
2 PLC	± 0.1	-		
3 PLC	± -	APPLICATION SPEC		
4 PLC	± -	-		
ANGLES	± -	SIZE	A3	CAGE CODE
MATERIAL	SEE TABLE	FINISH	-	DRAWING NO
		WEIGHT	0.000000	G-1337604
		CUSTOMER DRAWING		RESTRICTED TO
		SCALE	NTS	SHEET
		1 OF 1		REV
				D1

X-ON Electronics

Largest Supplier of Electrical and Electronic Components

Click to view similar products for [RF Connectors / Coaxial Connectors](#) category:

Click to view products by [TE Connectivity](#) manufacturer:

Other Similar products are found below :

[8915-1511-000](#) [89674-0827](#) [6001-7071-019](#) [6002-7051-003](#) [6002-7551-202](#) [6059674-1](#) [619550-1](#) [630059-000](#) [M39030/3-01N](#) [6500-7071-046](#) [6769](#) [CX050L2AQ](#) [7002-1541-010](#) [7002-1542-011](#) [7004-1512-000](#) [7009-1511-004](#) [7010-1511-000](#) [7029-1511-060](#) [7101-1541-010](#) [7101-1571-002](#) [7105-1521-002](#) [7145-1521-002](#) [7203-1571-003](#) [7209-1511-011](#) [7210-1511-015](#) [7210-1511-019](#) [73137-5015](#) [73216-2241](#) [73404-2300](#) [7405-1521-005](#) [7405-1521-802](#) [8527](#) [8547](#) [FS11V](#) [877931](#) [9049-9513-000](#) [9074-9513-000](#) [9101-9573-002](#) [910A205F](#) [9130-9573-002](#) [PL11SC-026](#) [PL375-33](#) [PL40-5](#) [PL74C-221](#) [PL75MC-217](#) [PL803-7](#) [1200690078](#) [1-201144-1](#) [R107003010W](#) [R110A172100](#)