

REVISIONS

P	LTR	DESCRIPTION	DATE	DWN	APVD
	D1	REVISED PER ECR-21-002411	25FEB2021	RZ	RS

NOTES:

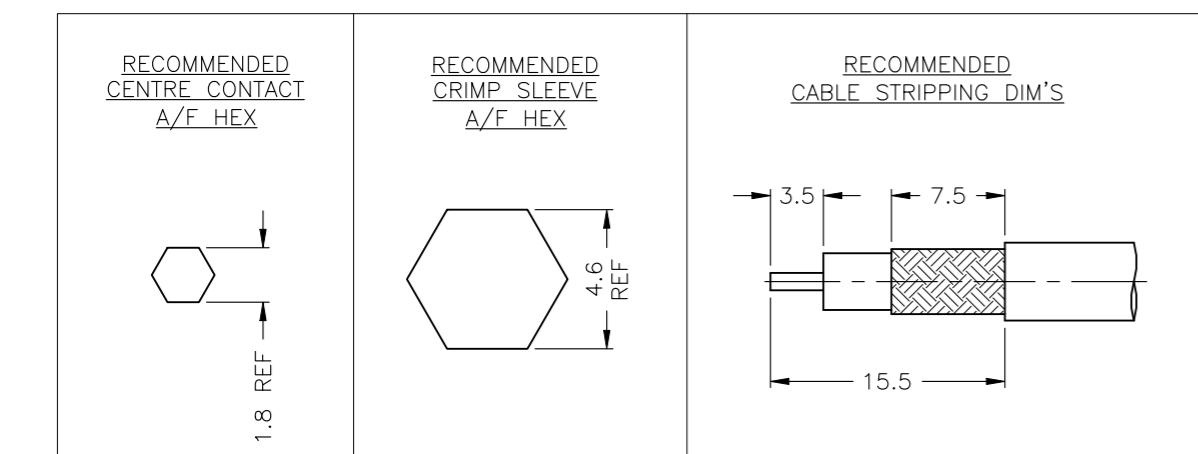
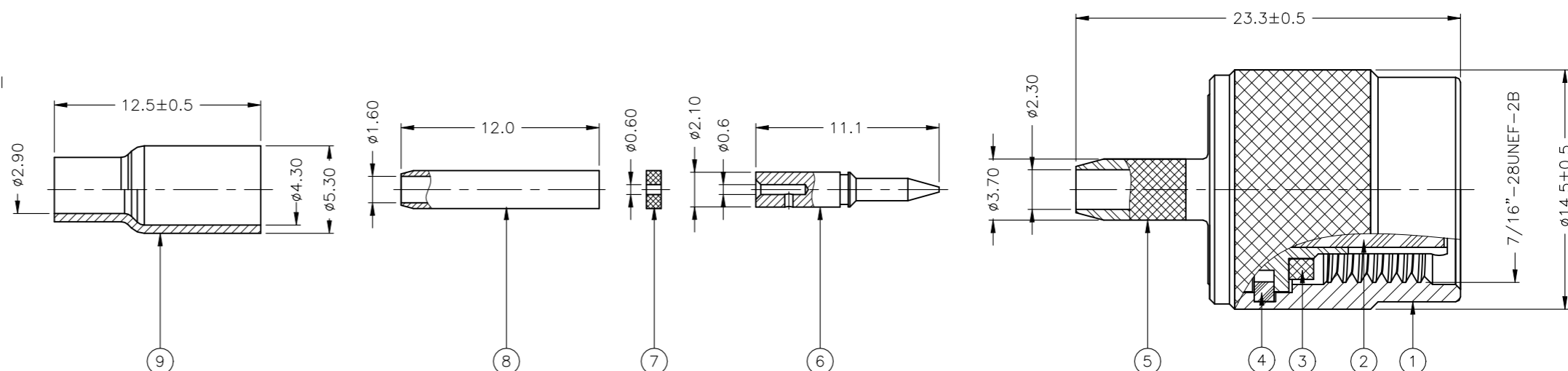
- 1 PACKAGE ONE COMPLETE CONNECTOR IN HEAT SEALED, LABELED BAG/ 250 PCS PER SHIPPING BOX. LABELED PER TEC-107-115
- 2 100 TRAY PACK IN ACCORDANCE WITH AMP SPEC 107-3275
- 3 Au PLATING
- 4 Ni PLATING
- 5 PASSIVATION
- 6 THIS ITEM MUST BE WHITE

- 7 HAND TOOL : 9-1478240-0
- 8 DIE SET : 9-1478245-0

9 ELECTRICAL CHARACTERISTICS  
 FREQUENCY RANGE: DC - 11 GHz  
 NOMINAL IMPEDANCE: 50 Ohm  
 INSULATION RESISTANCE: 5000 MOhm  
 WORKING VOLTAGE: 500 Volts RMS at Sea Level  
 DIELECTRIC WITHSTAND VOLTAGE: 1500 Volts RMS Max  
 CONTACT RESISTANCE:  
 CENTRE CONTACT: 1.50 mOhm Max  
 OUTER CONTACT: 1.00 mOhm Max  
 VSWR @ 4GHz: 1.30:1 Max  
 INSERTION LOSS dB @ 3 GHz: 0.20 Max

10 MECHANICAL CHARACTERISTICS  
 COUPLING NUT RETENTION FORCE: 266 N Min  
 CABLE RETENTION FORCE: 43.5 N Min  
 DURABILITY: 500 Cycles Min

11 ENVIRONMENTAL CHARACTERISTICS  
 OPERATING TEMPERATURE: -65 to +165 DegC



QTY	QTY PER ASSY	MATERIAL	DESCRIPTION	ITEM
1	1	BRASS	FERRULE	9
1	1	BRASS	SLEEVE	8
1	1	PTFE	DIELECTRIC II	7
1	1	BRASS	CENTER CONTACT	6
1	1	BRASS	BODY	5
1	1	STAINLESS STEEL	CIRCLIP	4
1	1	SILICON RUBBER	GASKET	3
1	1	PTFE	DIELECTRIC I	2
1	1	BRASS	COUPLING NUT	1
6--0	1--0	MATERIAL	DESCRIPTION	ITEM

THIS DRAWING IS A CONTROLLED DOCUMENT.

DWN J.SANDWELL 15FEB06  
 CHK S.PARLOW 15FEB06  
 APVD F.WHEELER-KING 15FEB06

**STE** TE Connectivity Ltd.

NAME: TNC STRAIGHT PLUG CRIMP 50 OHM  
 RG174A/U, 188A/U, 316/U, URM95, KX3B, KX22A

PRODUCT SPEC: 108-112000

APPLICATION SPEC: -

SIZE: A3 CAGE CODE: 00779 DRAWING NO: C-1337611 RESTRICTED TO: -

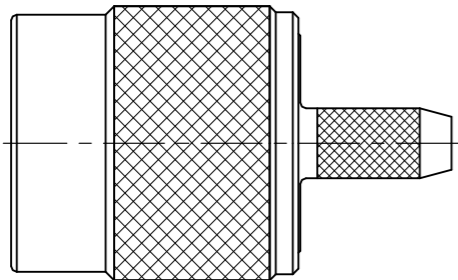
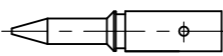

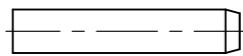
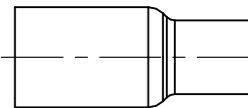
WEIGHT: -

CUSTOMER DRAWING SCALE: NTS SHEET: 1 OF 2 REV: D1

REVISIONS

P	LTR	DESCRIPTION	DATE	DWN	APVD
-	-	SEE TABLE 1	-	-	-

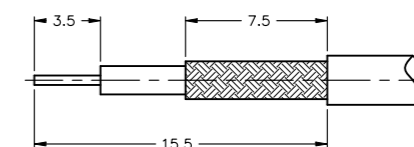
COMPONENTS

MAIN BODY (ITEM 1, 2, 3, 4, 5)	CENTER CONTACT (ITEM 6)	DIELECTRIC (ITEM 7)	SLEEVE (ITEM 8)	FERRULE (ITEM 9)
				

ASSEMBLY INSTRUCTIONS

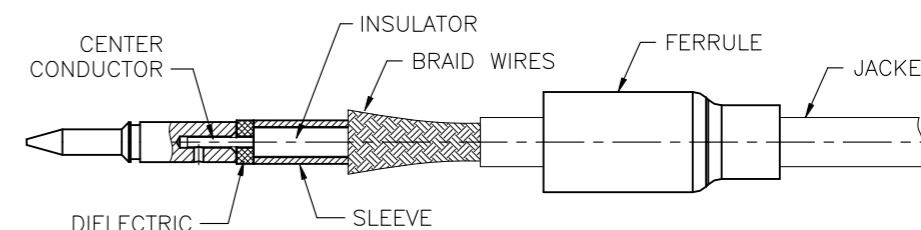
STEP 1: PREPARATION OF CABLE

1. TRIM CABLE TO DIMENSIONS SHOWN. BE CAREFUL TO AVOID NICKING THE BRAID.
2. REMOVE ANY RESIDUAL PLASTIC FROM CENTER CONDUCTOR.



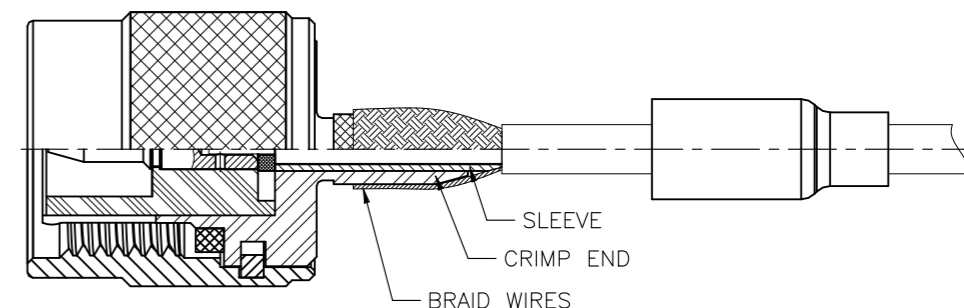
STEP 2: ASSEMBLE FERRULE, SLEEVE, DIELECTRIC AND CENTER CONTACT

1. SLIDE FERRULE ONTO THE JACKET OF CABLE.
2. SLIDE SLEEVE ONTO THE INSULATOR OF CABLE AND FLARE THE BRAID WIRES ON SLEEVE.
3. SLIDE DIELECTRIC ONTO THE CENTER CONDUCTOR OF CABLE.
4. SOLDERING OR CRIMP CENTER CONTACT WITH CABLE.



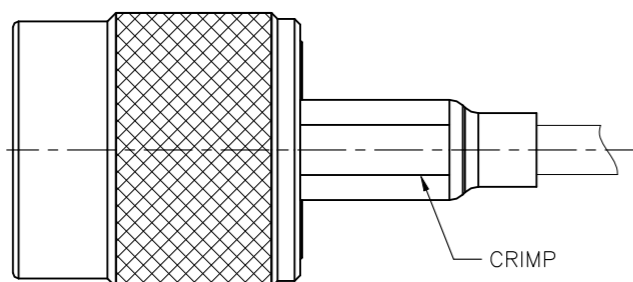
STEP 3: ASSEMBLY WITH BODY

1. INSERT STEP 2 CABLE ASSEMBLY INTO CONNECTOR BODY AND FLARE THE BRAID WIRES ON THE CRIMP END OF BODY.




STEP 4: CRIMP FERRULE

1. SLIDE FERRULE ON THE BRAID WIRES AND CRIMP FERRULE.



THIS DRAWING IS A CONTROLLED DOCUMENT.

DIMENSIONS: mm	TOLERANCES UNLESS OTHERWISE SPECIFIED:
	0 PLC ± -
	1 PLC ± 0.2
	2 PLC ± 0.1
	3 PLC ± -
	4 PLC ± -
	ANGLES ± -
MATERIAL SEE TABLE	FINISH -

DWN J.SANDWELL	15FEB06
CHK S.PARLOW	15FEB06
APVD F.WHEELER-KING	15FEB06
PRODUCT SPEC	-
APPLICATION SPEC	-
WEIGHT	-

<b>STE</b> TE Connectivity Ltd.			
NAME TNC STRAIGHT PLUG CRIMP 50 OHM RG174A/U, 188A/U, 316/U, URM95, KX3B, KX22A			
SIZE	CAGE CODE	DRAWING NO	RESTRICTED TO
A3	00779	C-1337611	-
CUSTOMER DRAWING		SCALE NTS	SHEET 2 OF 2 REV D1

## X-ON Electronics

Largest Supplier of Electrical and Electronic Components

*Click to view similar products for [RF Connectors / Coaxial Connectors](#) category:*

*Click to view products by [TE Connectivity](#) manufacturer:*

Other Similar products are found below :

[8915-1511-000](#) [89674-0827](#) [6001-7071-019](#) [6002-7051-003](#) [6002-7551-202](#) [6059674-1](#) [619550-1](#) [630059-000](#) [M39030/3-01N](#) [6500-7071-046](#) [6769](#) [CX050L2AQ](#) [7002-1541-010](#) [7002-1542-011](#) [7004-1512-000](#) [7009-1511-004](#) [7010-1511-000](#) [7029-1511-060](#) [7101-1541-010](#) [7101-1571-002](#) [7145-1521-002](#) [7203-1571-003](#) [7209-1511-011](#) [7210-1511-015](#) [7210-1511-019](#) [73137-5015](#) [73216-2241](#) [73404-2300](#) [7405-1521-005](#) [7405-1521-802](#) [8527](#) [8547](#) [FS11V](#) [877931](#) [8808-1511-001](#) [9049-9513-000](#) [9074-9513-000](#) [9101-9573-002](#) [910A205F](#) [9130-9573-002](#) [PL11SC-026](#) [PL375-33](#) [PL40-5](#) [PL74C-221](#) [PL75MC-217](#) [PL803-7](#) [1200690078](#) [1-201144-1](#) [R107003010W](#) [R110A172100](#)