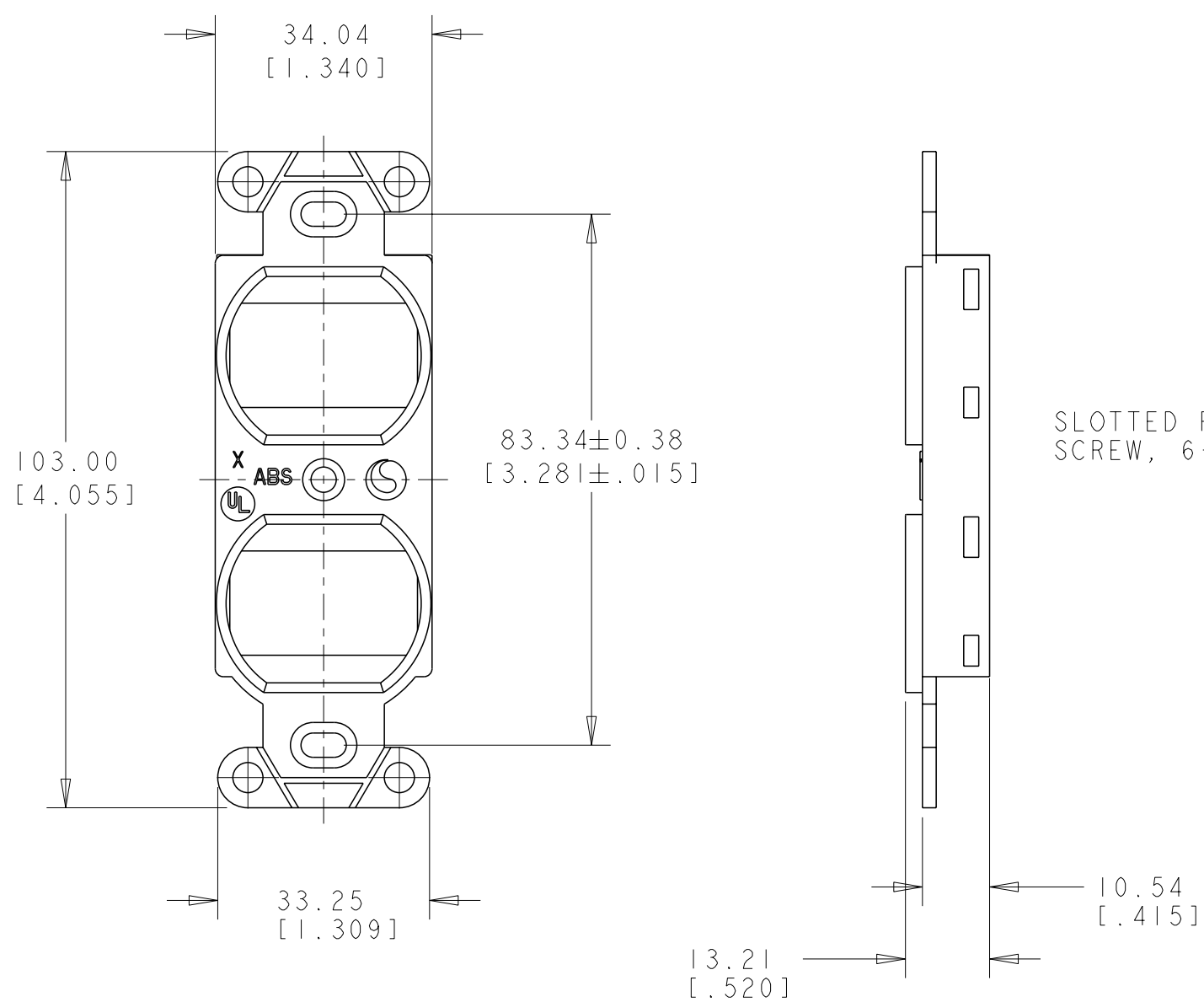


THIS DRAWING IS UNPUBLISHED. RELEASED FOR PUBLICATION

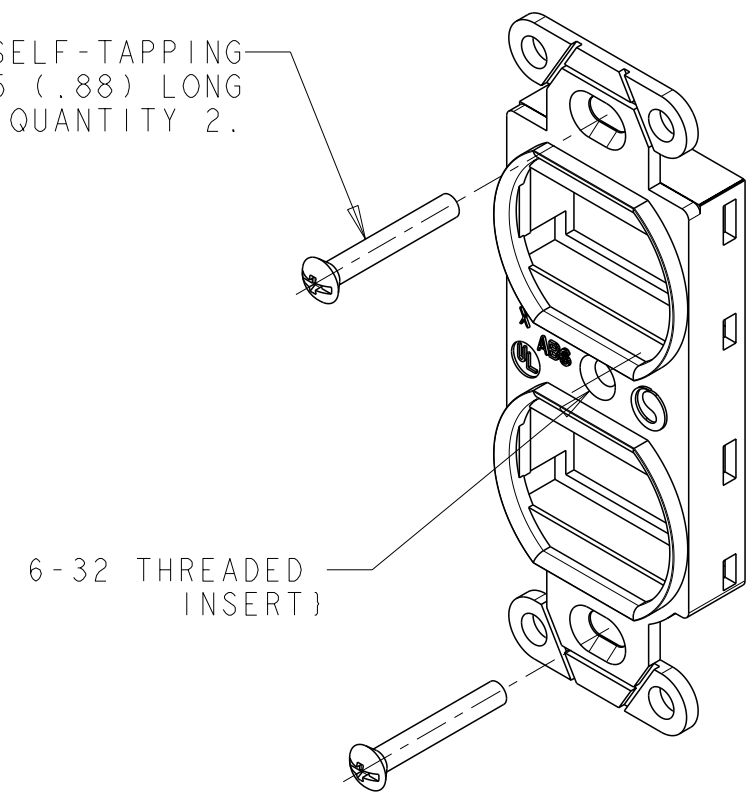
© 2016 COMMScope, INC. CONFIDENTIAL NOTICE: THESE DRAWINGS AND SPECIFICATIONS ARE THE PROPRIETARY PROPERTY OF COMMScope, INC. AND MAY BE USED ONLY FOR THE SPECIFIC PURPOSE AUTHORIZED IN WRITING BY COMMScope, INC.

P	LTR	DESCRIPTION	DATE	DWN	APVD
	D	ECO-13-019955	26DEC2013	JM	RA
	E	REV; 40032662MCO	03AUG2016	GG	LS



1. MATERIAL:  
 MOUNTING STRAP: ABS MOLDING COMPOUND. SEE TABLE FOR COLOR.  
 SCREWS: ZINC PLATED CARBON STEEL.  
 THREADED INSERT: BRASS.
2. THREADED INSERT IS INSTALLED IN MOUNTING STRAP. OTHERWISE KIT IS SHIPPED UNASSEMBLED.

SLOTTED FLAT HEAD SELF-TAPPING SCREW, 6-32 X 22.35 (.88) LONG  
 QUANTITY 2.



ALPINE WHITE	1-1339120-3
ELEC IVORY	1-1339120-1
NEMA GRAY	1339120-4
WHITE	1339120-3
BLACK	1339120-2
LT ALMOND	1339120-1
COLOR	PART NO.

THIS DRAWING IS A CONTROLLED DOCUMENT.		DWN R. MARTIN 05APR99	<b>COMMScope, INC.</b>														
DIMENSIONS: MM [INCHES]		CHK R. MARTIN 05APR99															
TOLERANCES UNLESS OTHERWISE SPECIFIED:		APVD -	NAME -														
<table border="0"> <tr> <td>0 PLC</td> <td>±-</td> </tr> <tr> <td>1 PLC</td> <td>±-</td> </tr> <tr> <td>2 PLC</td> <td>±0.25 [.01]</td> </tr> <tr> <td>3 PLC</td> <td>±-</td> </tr> <tr> <td>4 PLC</td> <td>±-</td> </tr> <tr> <td>ANGLES</td> <td>±-</td> </tr> </table>		0 PLC	±-	1 PLC	±-	2 PLC	±0.25 [.01]	3 PLC	±-	4 PLC	±-	ANGLES	±-	PRODUCT SPEC -	KIT, 4 PORT DUPLEX STRAP		
0 PLC	±-																
1 PLC	±-																
2 PLC	±0.25 [.01]																
3 PLC	±-																
4 PLC	±-																
ANGLES	±-																
MATERIAL -		FINISH -	APPLICATION SPEC -	SIZE A3	RESTRICTED TO -												
			WEIGHT -	CAGE CODE -	DRAWING NO C-1339120												
			CUSTOMER DRAWING	SCALE 1:1	SHEET 1 OF 1												
					REV E												

## X-ON Electronics

Largest Supplier of Electrical and Electronic Components

*Click to view similar products for [Wire Ducting & Raceways](#) category:*

*Click to view products by [TE Connectivity](#) manufacturer:*

Other Similar products are found below :

[800A-LB](#) [801I-LSP](#) [802A-ECSP](#) [802I-ICSP](#) [923223-000](#) [PRAF6WH-X](#) [A0405538](#) [1301150342](#) [1301160034](#) [1301170070](#) [1301180011](#)  
[1301230083](#) [1301230153](#) [1301240273](#) [1301250006](#) [1302261238](#) [1302261321](#) [1302262552](#) [1302263103](#) [1302263178](#) [1302263259](#)  
[1302263816](#) [1302263860](#) [1302264375](#) [1302264390](#) [1301150343](#) [1301160030](#) [1301170050](#) [1301170051](#) [1301170061](#) [1301180013](#)  
[1301230086](#) [1301230130](#) [1301240054](#) [1302260055](#) [1302260376](#) [1302261343](#) [1302261344](#) [1302262674](#) [1302263095](#) [1302263166](#)  
[1302263209](#) [1302263513](#) [1302263851](#) [1302263870](#) [1302264137](#) [1302264218](#) [DD1/J](#) [AX102007](#) [AX102411](#)