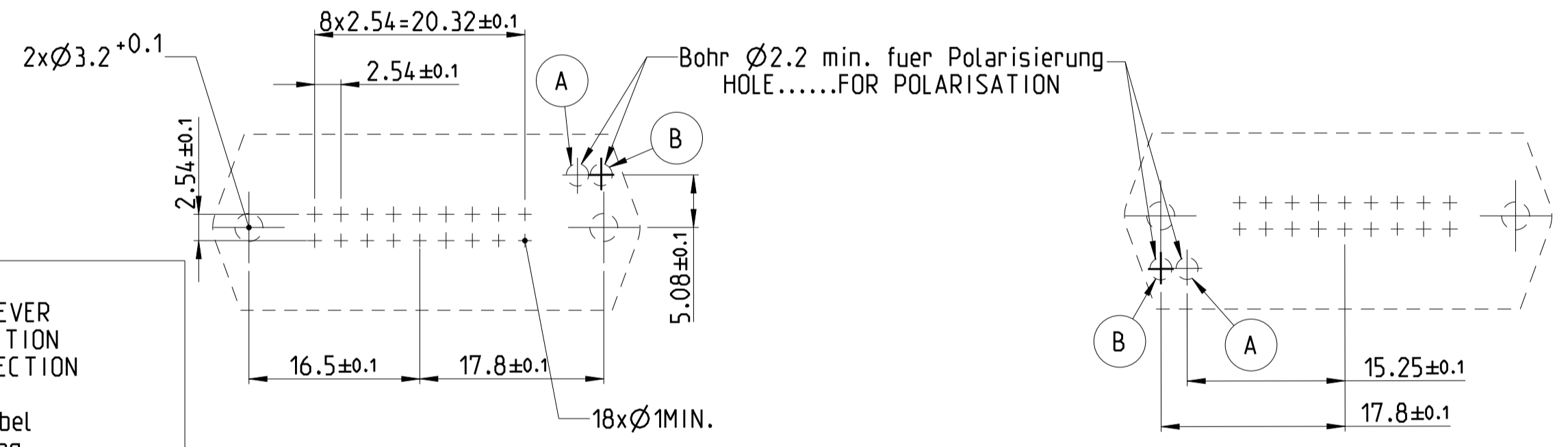


MOUNTING HOLE  
 befestigungsbohrung  
 FOR AVDEL-RIVET 1110-4004 AND 1110-4074  
 FUER "AVDEL"-NIET 1110-4004 UND 1110-4074

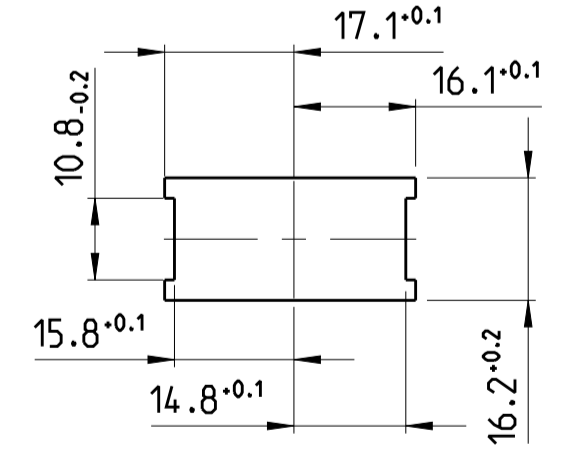
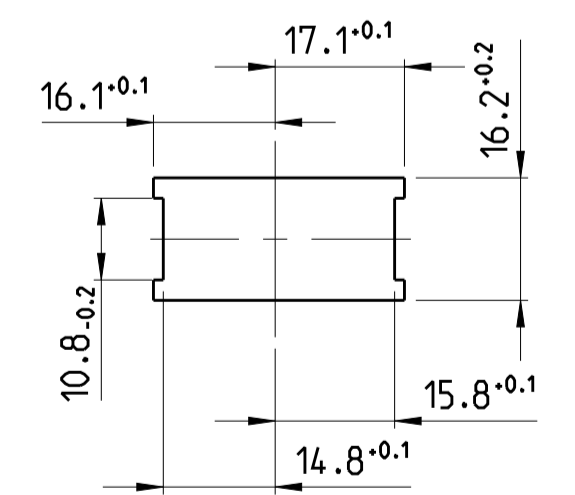
CABLE DIRECTION LEFT  
 Kabelabgang Links

PCB LAYOUT  
 LeiterplattenLayout

CABLE DIRECTION RIGHT  
 Kabelabgang rechts

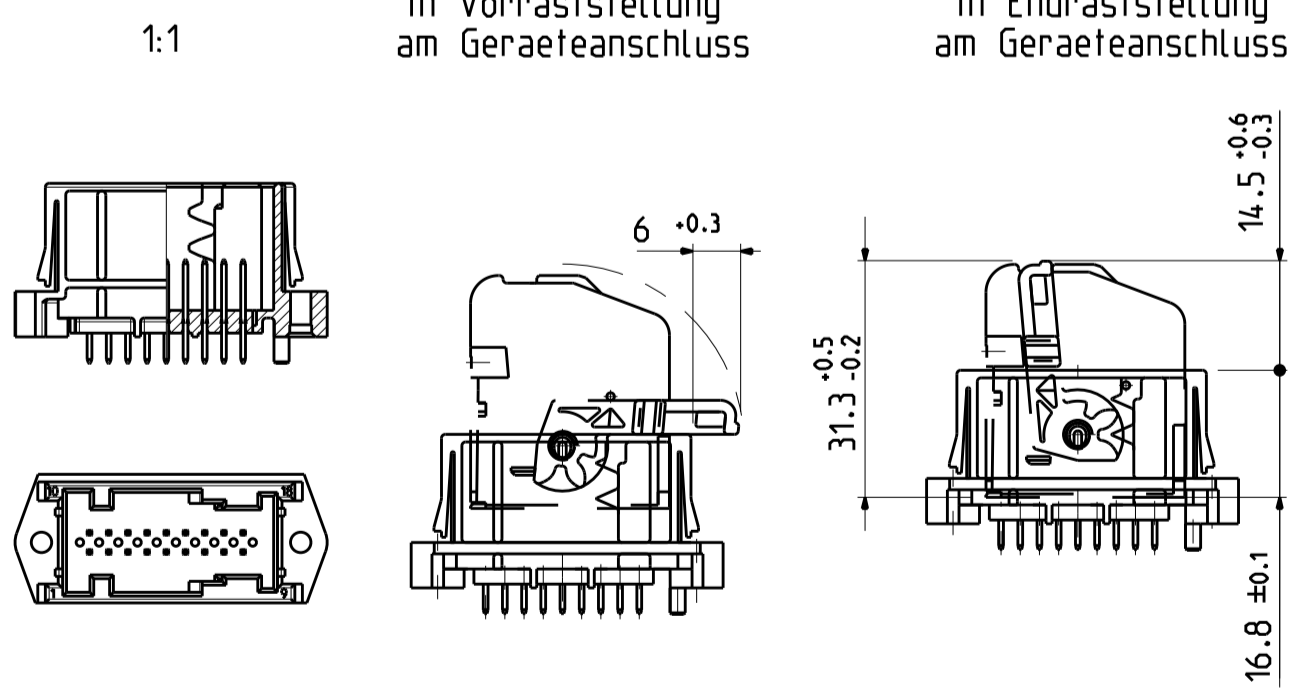


FRONT PLATE CUT-OUT  
 Frontplattenausschnitt  
 1:1



FREE RANGE FOR LEVER IN PRELOCKED POSITION AT AGGREGATE CONNECTION  
 Freiraum fuer Hebel in Vorraststellung am Gerateanschluss

FREE RANGE FOR LEVER IN ENDOCKED POSITION AT AGGREGATE CONNECTION  
 Freiraum fuer Hebel in Endraststellung am Gerateanschluss

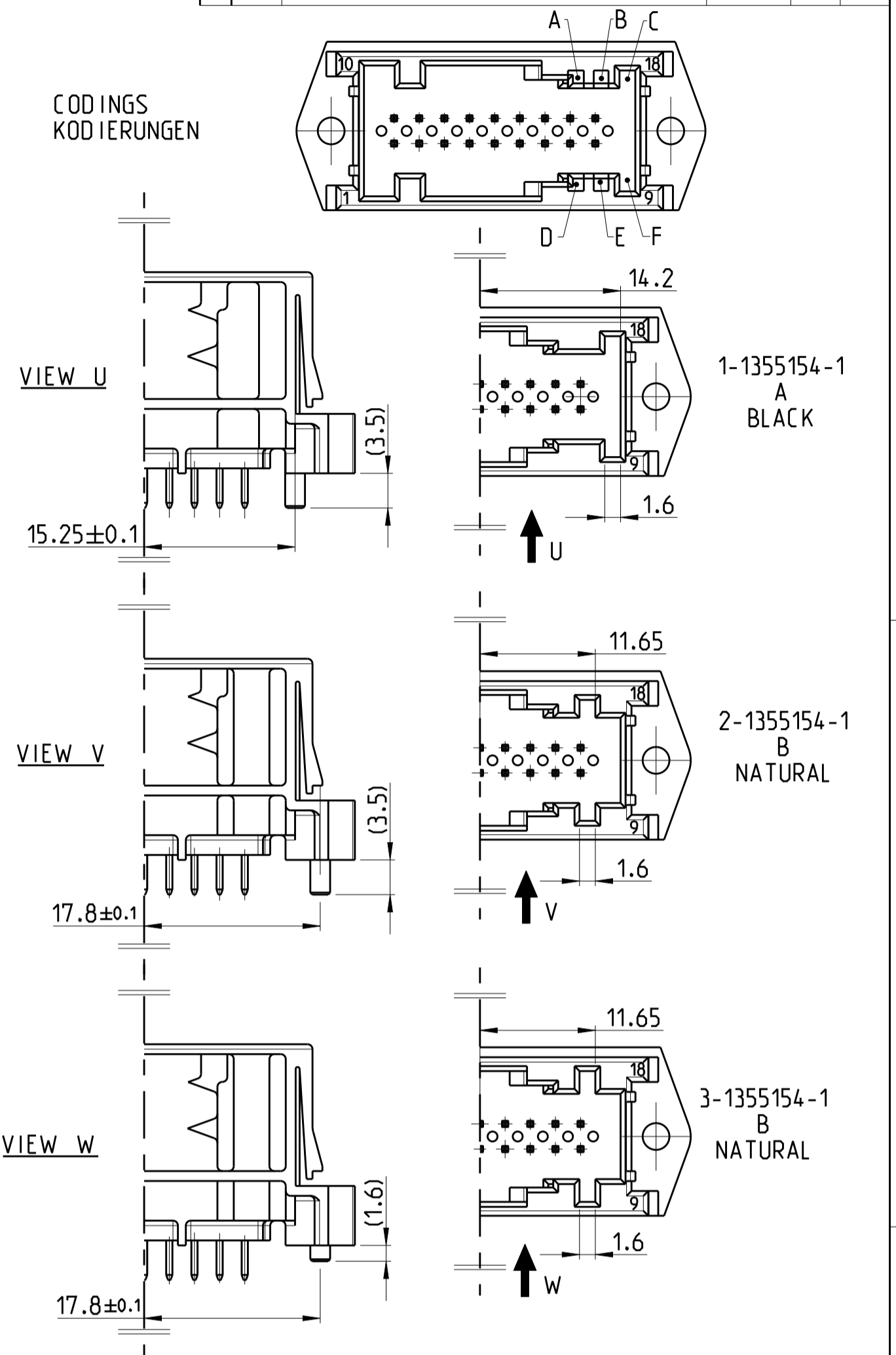


SURFACE/OBERFLAECHE

STYLE: COAT THICKNESS 2.5 UNTIL 4 µm Sn OVER 1.3 UNTIL 2.2 µm Ni  
 Ausfuehrung Sn: Schichtdicke 2.5 bis 4 µm Sn ueber 1.3 bis 2.2 µm Ni

CABLE DIRECTION LEFT AND RIGHT Kabelabgang links und rechts	TE ORDER NO. BESETELL-NR.	REV. REV.	CODE KOD.	POS. POS.	QTY. STK.	DESCRIPTION BENENNUNG	SURFACE/COLOR FARBE OBERFLAECHE	MATERIAL Material	SUITABLE FOR: SHIELD dazu passend: Abdeckkappe	USED WITH: SOCKET HOUSING DAZU GEHOEHRT: Buchsengehaeuse
3-1355154-1	B	B	2	18	1	PIN CONTACT/Stiftkontakt	TIN/Zinn	CuFe2	2-1355350-1	-
						PIN HEADER/Stiftwanne	NATURAL/Natur	PET-GF30		
			2	18	1	PIN CONTACT/Stiftkontakt	TIN/Zinn	CuFe2	2-1355350-1	-
						PIN HEADER/Stiftwanne	NATURAL/Natur	PET-GF30		
1-1355154-1	B	A	2	18	1	PIN CONTACT/Stiftkontakt	TIN/Zinn	CuFe2	1-1355350-1	1355348-1
						PIN HEADER/Stiftwanne	BLACK/schwarz	PET-GF30		

PROJECT NO.:	REVISIONS					
A98-52183	P	LTR	DESCRIPTION	DATE	DWN	APVD
	B3		PART NUMBER REARRANGED FOR MFG ON MODEL	06AUG2015	VGP	BF
	B4		PART NUMBER REARRANGED FOR MFG ON MODEL	20AUG2015	VGP	BF



- NOTES:  
 Bemerkungen:
- MATERIAL MARKING  
 Materialkennzeichnung
  - WARPAGE -0.3MM PERMITTED  
 Verzug -0.3mm zulaessig
  - PACKAGING: IN TRAY NO. 740966-1  
 Verpackung: in Produkttraeger 740966-1
  - PRODUCT SPECIFICATION: 108-18030  
 Produktspezifikation: 108-18030
  - PRESS OUT FORCE > 25N  
 SOLDERABILITY ACC. TO DIN IEC 68 Part 2-20  
 Ausdrueckkraft > 25N  
 Loetbarkeit gemass DIN IEC 68 Teil 2-20, Alterung 3
  - CAVITY MARKING  
 Nestkennzeichnung
  - TE PN FOR HOUSING  
 TE Teile Nr. fuer Gehaeuse
  - TE PN FOR ASSY  
 TE Teile Nr. fuer Assembly
  - REVISION (HOUSING)  
 Aenderungsstand (Gehaeuse)
  - OTHER CODINGS UPON REQUEST  
 weitere Kodierungen auf Anfrage

THIS DRAWING IS A CONTROLLED DOCUMENT.		DWN: O.Frank 24 JUN1999	TE Connectivity
DIMENSIONS: mm		CHK: B.Fieberling 24 JUN1999	
TOLERANCES UNLESS OTHERWISE SPECIFIED:		APVD: -	NAME: MICRO QUADLOCK SYSTEM, PIN HEADER, 18POS
0 PLC ±0.2		PRODUCT SPEC: -	Micro Quadlock System, Stiftwanne, 18pol.
1 PLC ±0.2		APPLICATION SPEC: -	SIZE: A1
2 PLC ±0.2		WEIGHT: ca. 6g	CAGE CODE: 00779
3 PLC ±0.2		CUSTOMER DRAWING	DRAWING NO: 1355154
4 PLC ±0.2		SCALE: 2:1	SHEET: 1 OF 1
ANGLES: ±0.2		RESTRICTED TO: -	REV: B4

1-1355154-1 AS SHOWN  
 WIE GEZEICHNET

## X-ON Electronics

Largest Supplier of Electrical and Electronic Components

*Click to view similar products for [Automotive Connectors](#) category:*

*Click to view products by [TE Connectivity](#) manufacturer:*

Other Similar products are found below :

[003-018-000](#) [60403001](#) [60993906-B](#) [M902-2131](#) [M902-2161](#) [M902-2344](#) [72.330.1035.1](#) [73.353.4028.0](#) [F119300-B](#) [F166900](#) [F258300-B](#)  
[F358300-B](#) [F407400](#) [F444110](#) [F487000](#) [F509500B-B](#) [827153-1](#) [8N1515-32-24P](#) [9-1326729-8](#) [925474-1](#) [928905-1](#) [964562-4](#) [968782-1](#)  
[GT17SA-8DS-HU](#) [98891-1012](#) [98947-1016](#) [12004147](#) [12004475-L](#) [12010290](#) [12010309-B](#) [12015454](#) [12020219-B](#) [12041318-B](#) [12052225-](#)  
[L](#) [12052466](#) [12064869](#) [12004327-B](#) [12015308](#) [12015384](#) [12015909](#) [1-21030-1](#) [12041254](#) [12041318](#) [12047946-B](#) [12047957](#) [12047957-L](#)  
[12059473](#) [12066261](#) [12110546](#) [12110546-B](#)