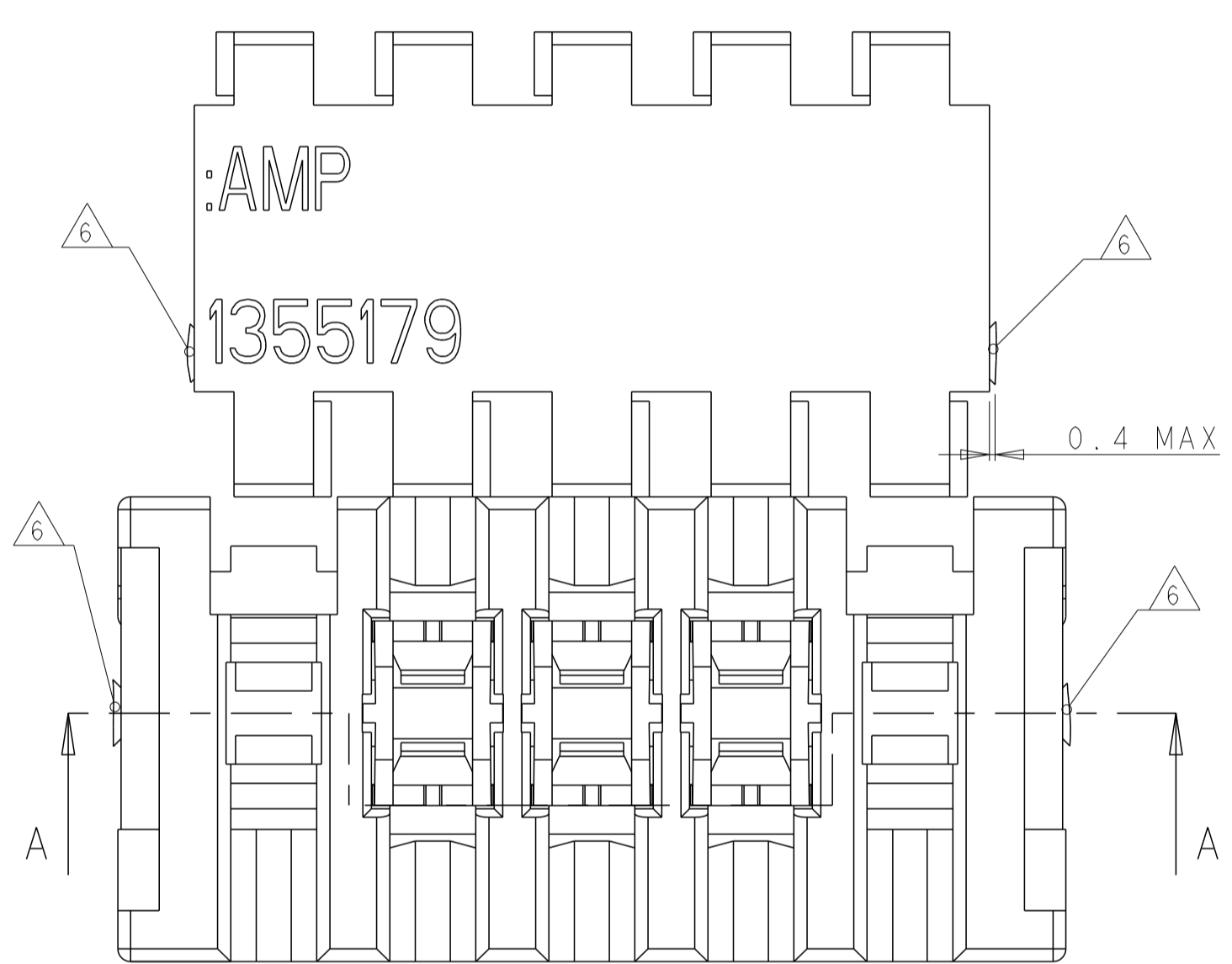
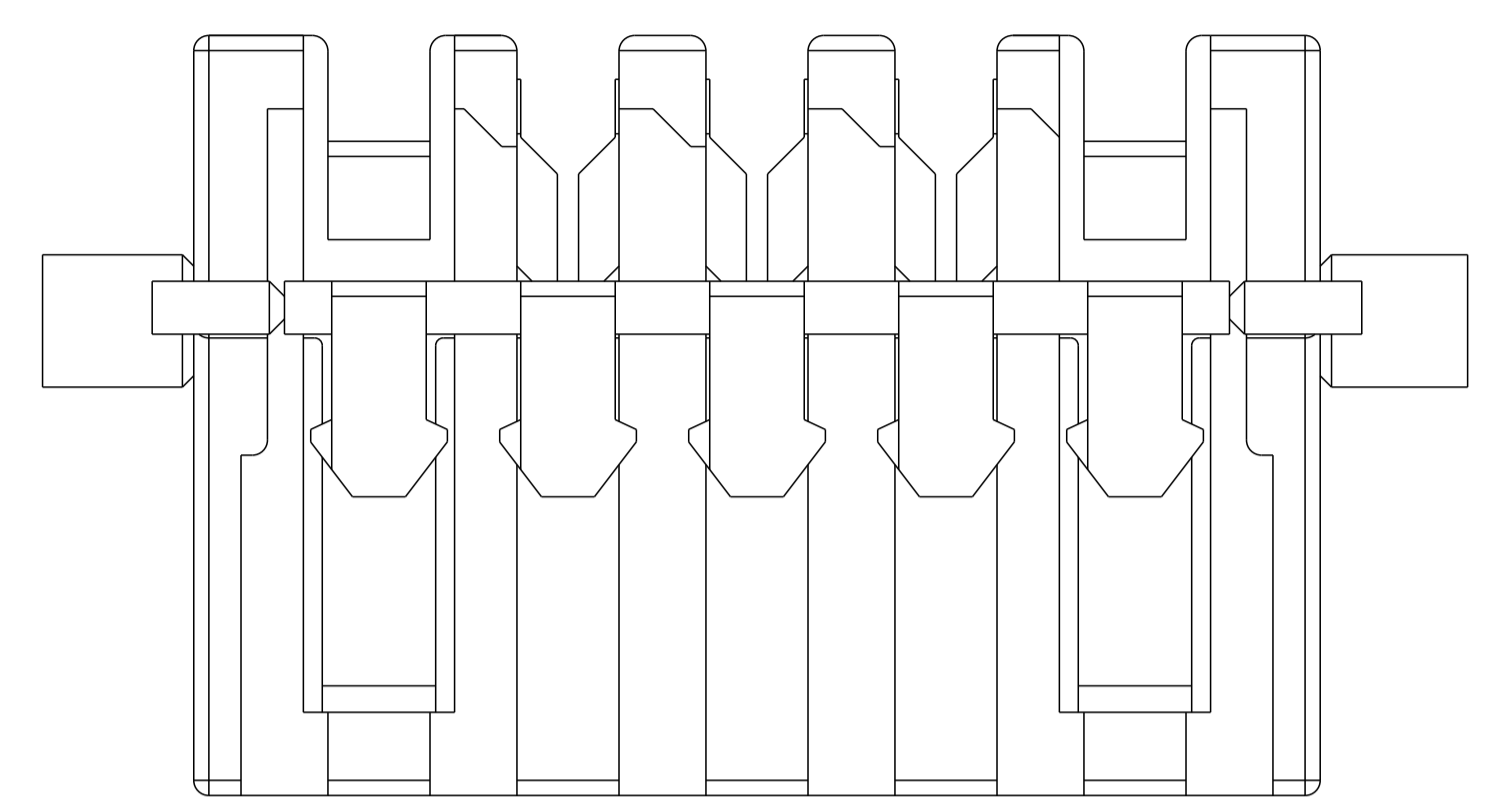
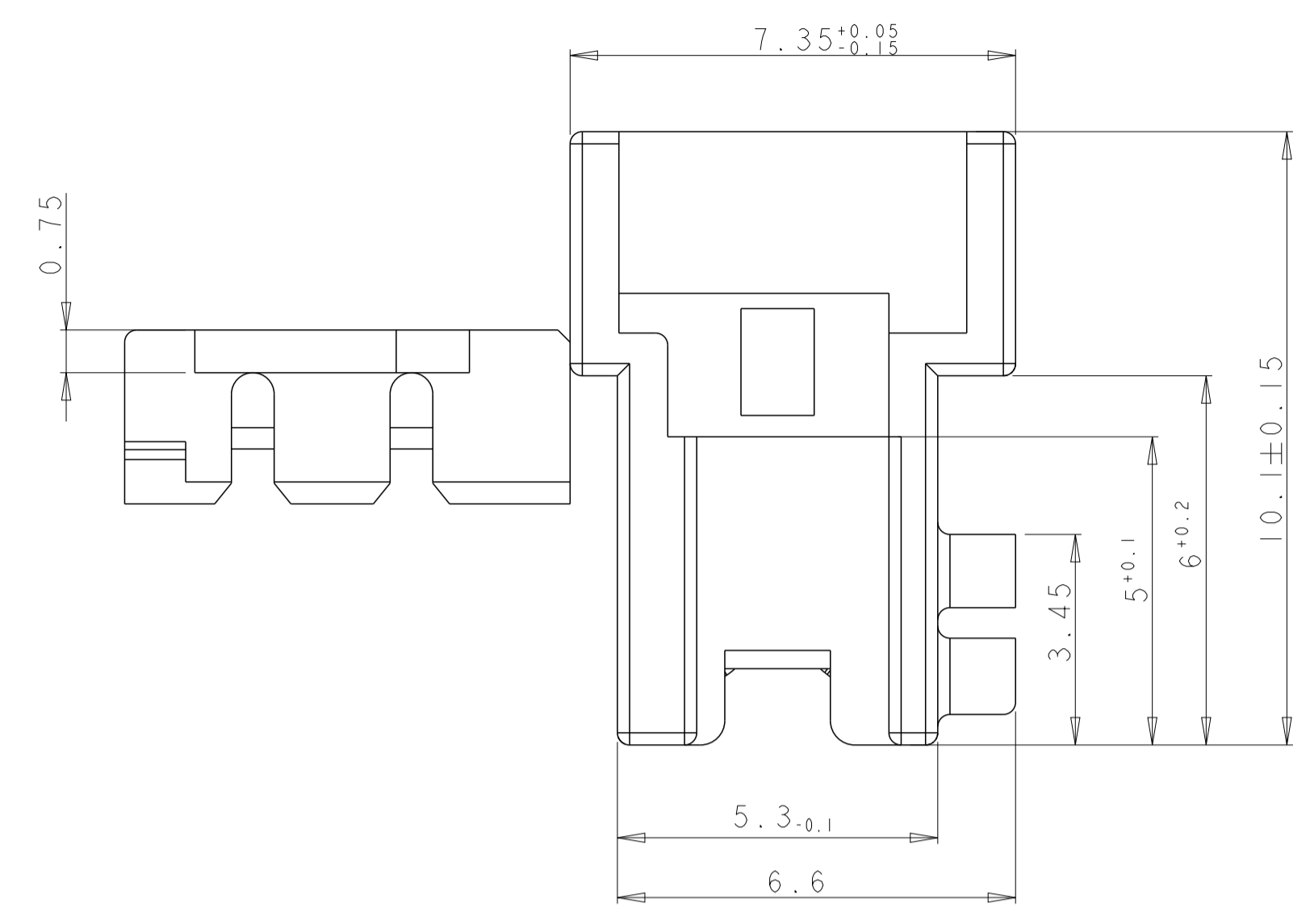
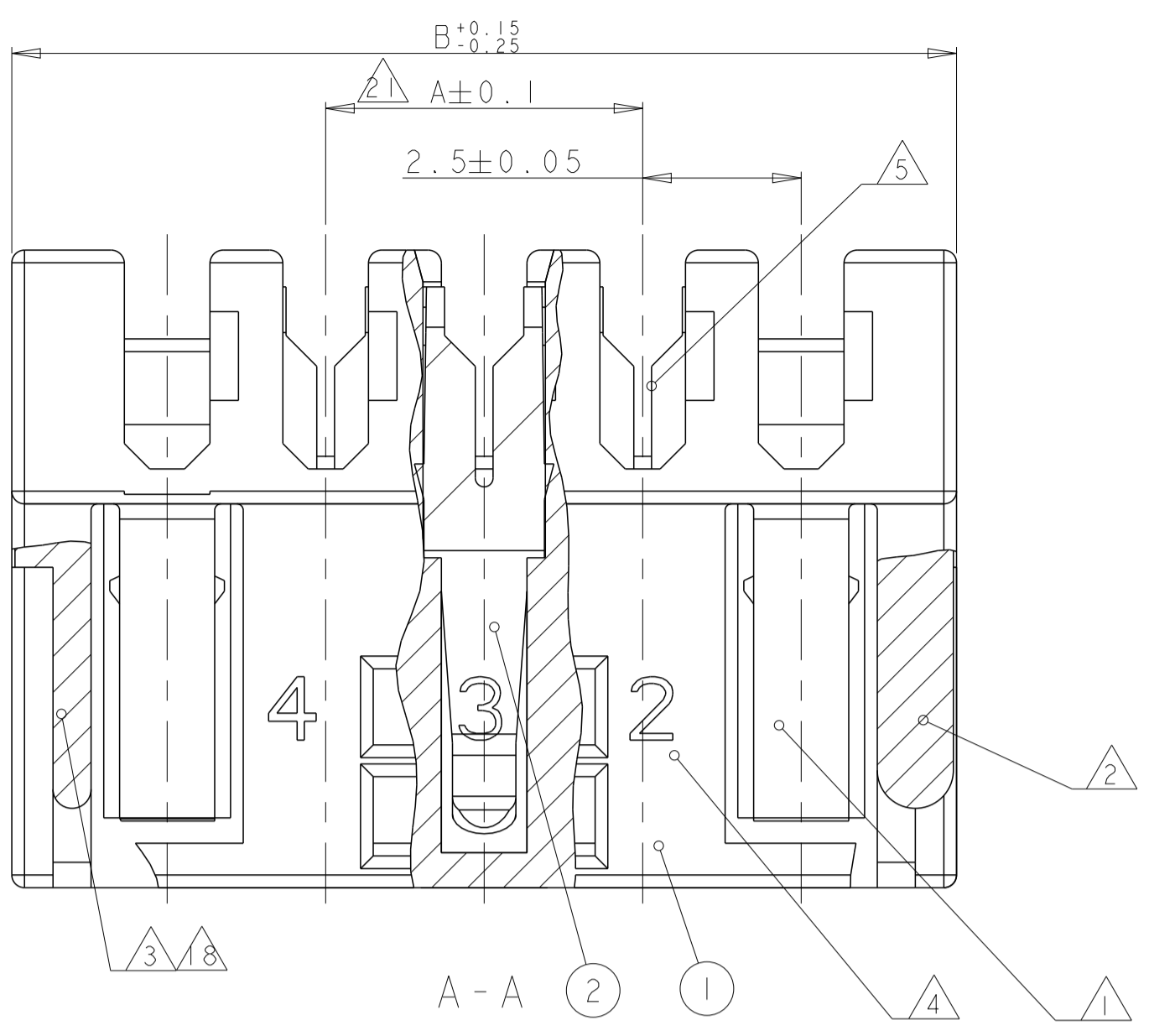
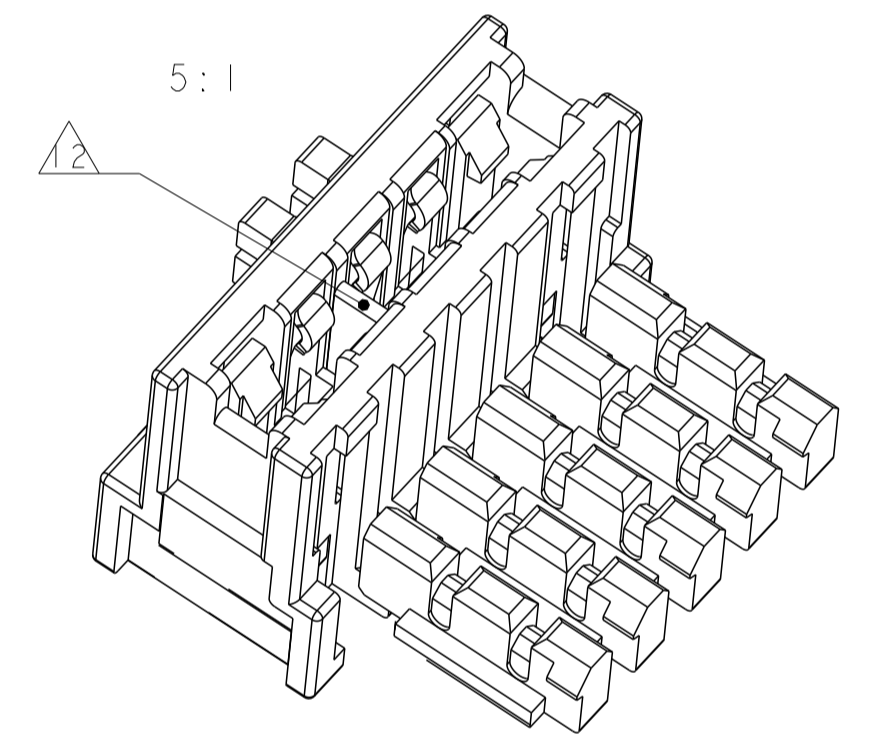


REVISIONS				
P.	LTN.	DESCRIPTION	DATE	APVD.
C6		ECR-16-017578	15DEC2016	KD RR
C7		REVISED PER ECR-18-016904	05NOV2018	BDA DC
C8		REVISED PER ECR-19-007333	09MAY2019	MG FL
D		REVISED PER ECR-19-015555	04NOV2019	KD FL



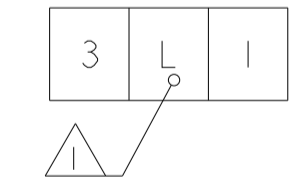
- △2 DIMENSION A BETWEEN FIRST AND LAST CONTACT
- △20 PBT GF, UL94-V0 & GWEPT 750 NO-FLAME
- △19 PBT GF
- △18 ONLY FOR 3-1355181-2 & 2311512-2, REMOVED THE POLARIZATION RIB ON THE LAST CAVITY
- △17 PRELIMINARY - NOT RELEASED FOR PRODUCTION
- △16 OBSOLETE PARTS: OBSOLETE CIS STREAMLINING PER D.RENAUD/D.SINISI
- △15 DIMENSION OF THE PADS ON BOTH SIDES OF THE SLOT (NOTE 13), MIRRORED Leiterbahnabmessung beidseitig vom Schlitz (Note 13), spiegelbildlich
- △14 DIMENSION IN BRACKET ONLY USED WITH AMP DUOPLUG 2.5 mm FEMALE CONNECTOR. Masse in Klammer nur geeignet fuer AMP DUOPLUG 2.5 mm Federleisten.
- △13 SLOT FOR ADDITIONAL KEYING RIB Schlitz fuer zusaetzliche Kodierrippe
- △12 ADDITIONAL KEYING RIB BETWEEN CAVITY NO. Zusaeztliche Kodierrippe zwischen Kammer Nr.
- △11 REDUCTION OF PAD WIDTH OF ALL PADS AS SHOWN IS POSSIBLE. Verjuengung aller Leiterbahnen wie dargestellt moeglich.
- △10 INCLUSIVE COPPER CLADDING: Inclusive Kupferkaschierung:
- △9 PCB PREFERABLY CHAMFERED. Leiterplatte vorzugsweise angefast.
- △8 SLOT FOR KEYING RIB. Schlitz fuer Kodierrippe.
- △7 SLOT FOR POLARIZATION RIB. Schlitz fuer Polarisierungsrippe.
- △6 CUTTING AREA FROM PRODUCING PROCESS. Schnittbereich durch Herstellungsprozess.
- △5 SLOT ACCEPT STRANDED WIRE 7x0.25mm=0.35mm<sup>2</sup>. SEE APPLICATION SPECIFICATION 114-18049. Schlitz geeignet fuer Leitungen 7x0.25mm=0.35mm<sup>2</sup>. Siehe Verarbeitungsanweisung 114-18049.
- △4 CAVITY NO. Kammer Nr.
- △3 POLARIZATION RIB Polarisierungsrippe
- △2 KEYING RIB Kodierrippe
- △1 LOCKING LATCH BEFORE FIRST AND AFTER LAST CAVITY (3-18 POSN.) AND ON MIDDLE CAVITY (2 POSN. ONLY) Rasthaken vor 1. Kammer und nach letzter Kammer (3-18 polig) und bei mittlerer Kammer (nur 2 polig)



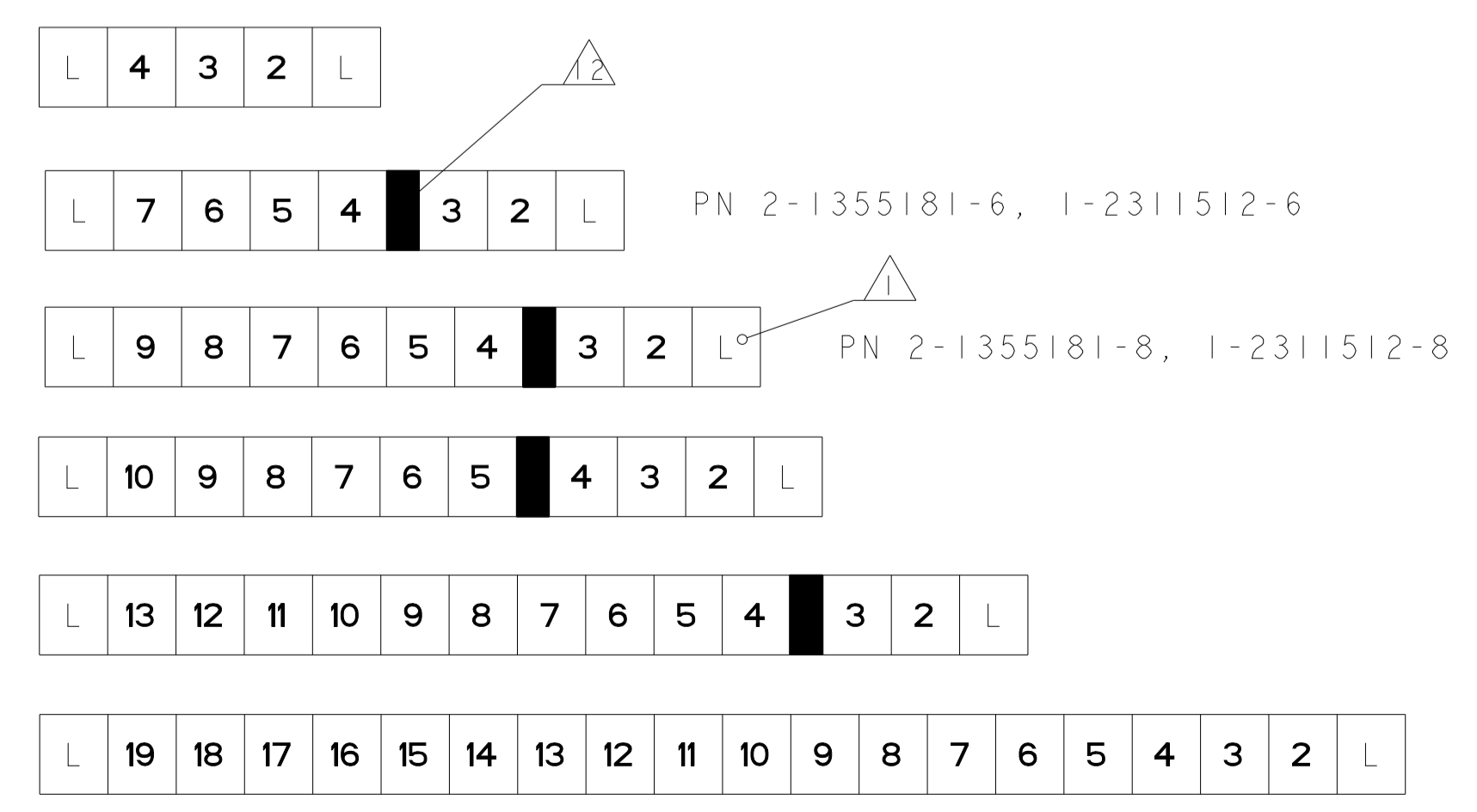
**LOCKING AND KEYING PLAN**  
Rasthaken und Kodierschema

**SPECIAL VERSION 2 POSN.**  
Sondervariante 2 pol.

PN 1-355181-2  
1-2311512-2



Variante  
3 pol. - 18 pol.



OBSOLETE	18	42.5	52.4	-	1-1355182-8	-
OBSOLETE	17	40	49.9	-	1-1355182-7	-
OBSOLETE	16	37.5	47.4	-	1-1355182-6	-
OBSOLETE	15	35	44.9	-	1-1355182-5	-
OBSOLETE	14	32.5	42.4	-	1-1355182-4	-
OBSOLETE	13	30	39.9	-	1-1355182-3	-
OBSOLETE	12	27.5	37.4	3+4	2-1355182-2	-
OBSOLETE	11	25	34.9	-	1-1355182-1	-
OBSOLETE	10	22.5	32.4	-	1-1355181-0	1-2311512-0
OBSOLETE	9	20	29.9	4+5	2-1355181-9	-
	8	17.5	27.4	-	1-1355181-8	2311512-9
	7	15	24.9	-	1-1355181-7	1-2311512-8
	6	12.5	22.4	3+4	2-1355181-6	2311512-7
	5	10	19.9	-	1-1355181-5	1-2311512-6
	4	7.5	17.4	-	1-1355181-4	2311512-5
	3	5	14.9	-	1-1355181-3	2311512-4
	2	5	9.9	-	3-1355181-2	2311512-3
				-	1-1355181-2	1-2311512-2
	POS. Polzahl	DIM A Mass A	DIM B Mass B	KEYING Kodierung	PART NUMBER	PART NUMBER

THIS DRAWING IS A CONTROLLED DOCUMENT.				DWN Heber 16MRZ99 CHK Schnaubelt 06JUL99	
DIMENSIONS: mm		TOLERANCES UNLESS OTHERWISE SPECIFIED:			
SEE TABLE		0 PLC	±0.2	PRODUCT SPEC	
Siehe Tabelle		1 PLC	±0.2	APPLICATION SPEC	
PN Bestell-Nr.		2 PLC	±0.2	114-18049-1	
POS.		3 PLC	±0.2	WEIGHT	
NAME		4 PLC	±0.2	CUSTOMER DRAWING	
MATERIAL		ANGLES	±0.2	SCALE 10:1	
FINISH/Oberflaeche		FINISH	±0.2	SHEET 1 OF 2	
COLOR/Farbe				REV D	

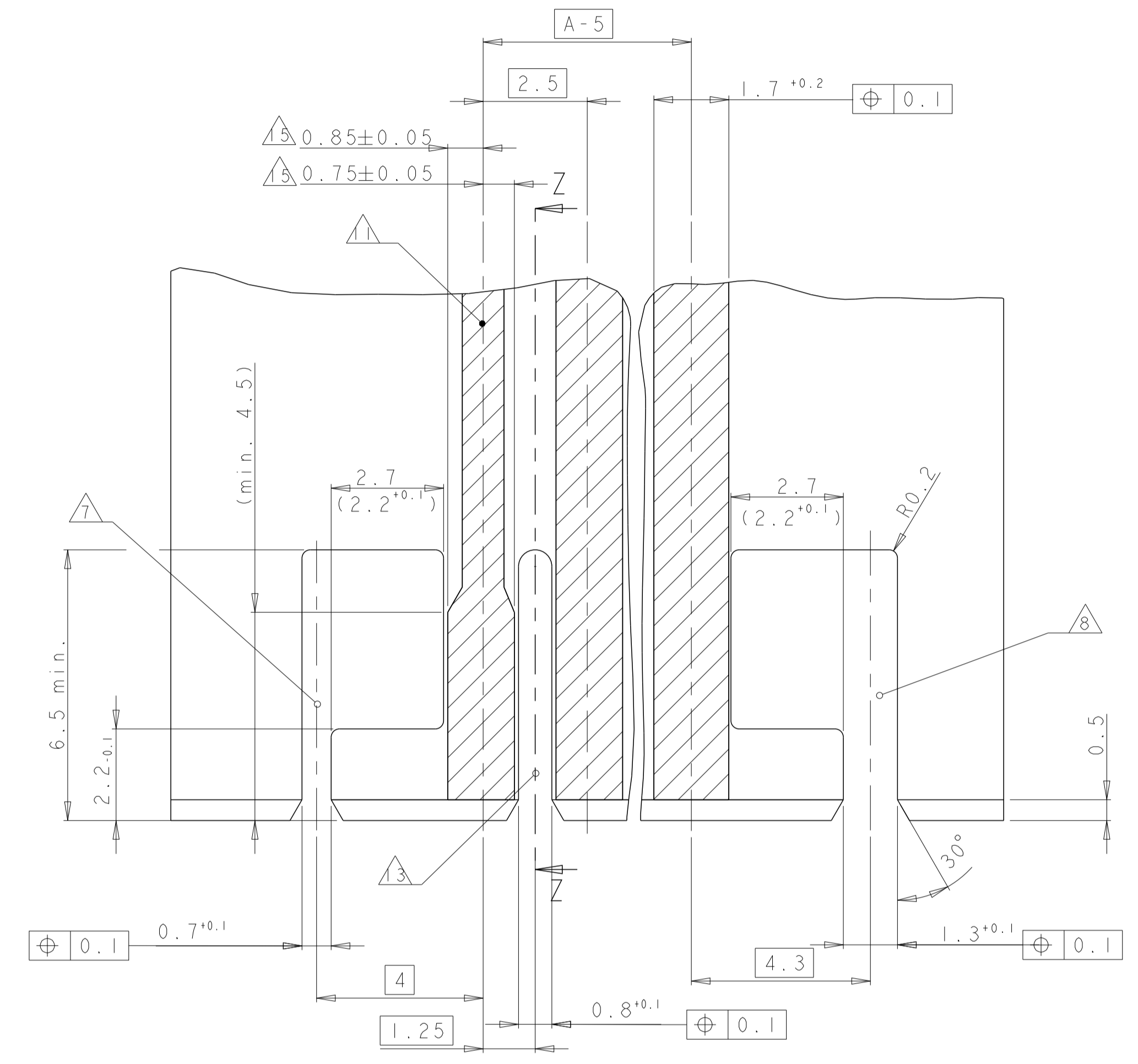
**STE** TE Connectivity

AMP DUOPLUG 2,5 TM WITH PCB LOCKING DEVICE DGB 11

SIZE: A100779 C=1355181

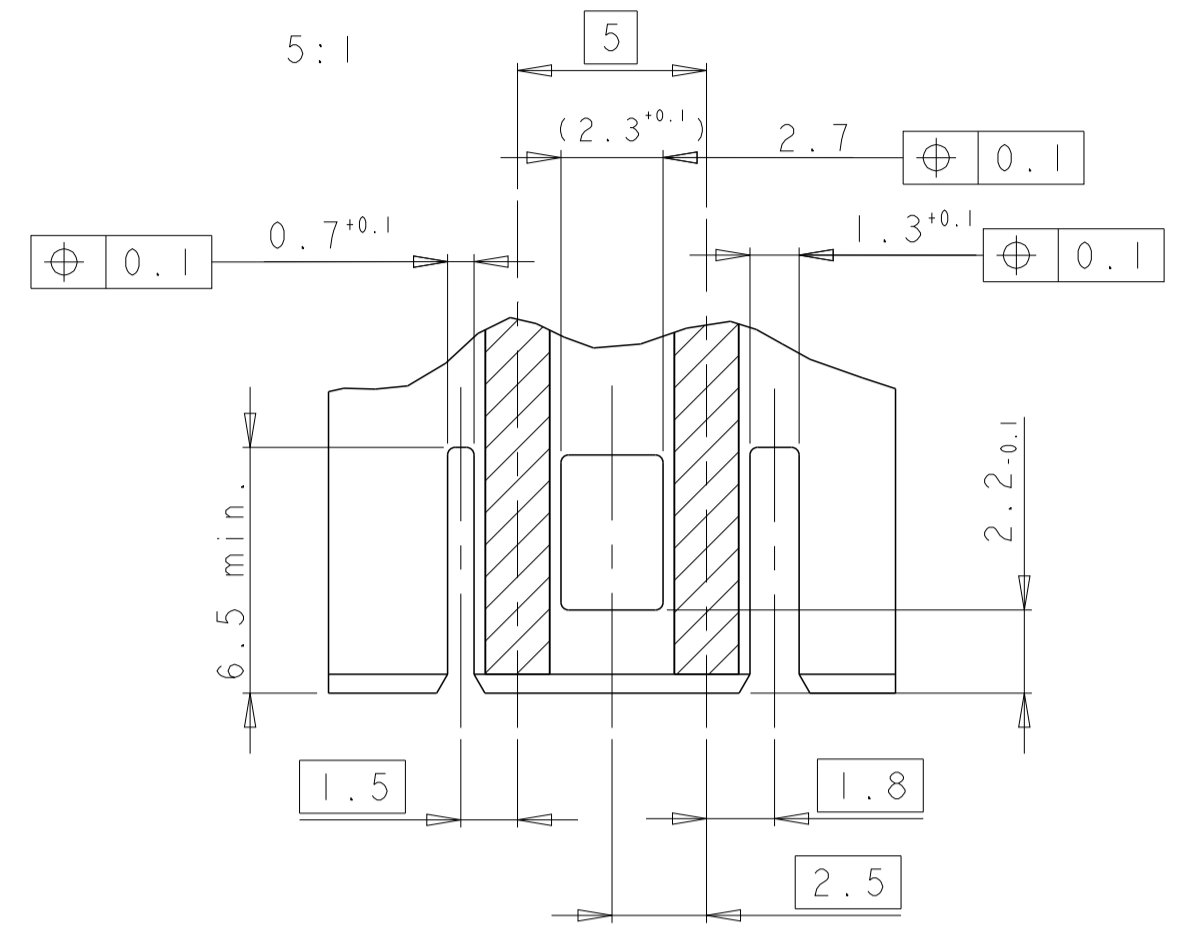
REVISIONS				
P.	LTN.	DESCRIPTION	DATE	APVD.
-	-	SEE SHEET 1	-	-

PCB LAYOUT  
Leiterplattenanschluss

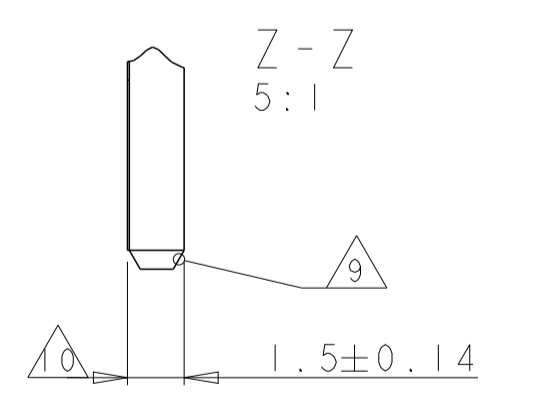
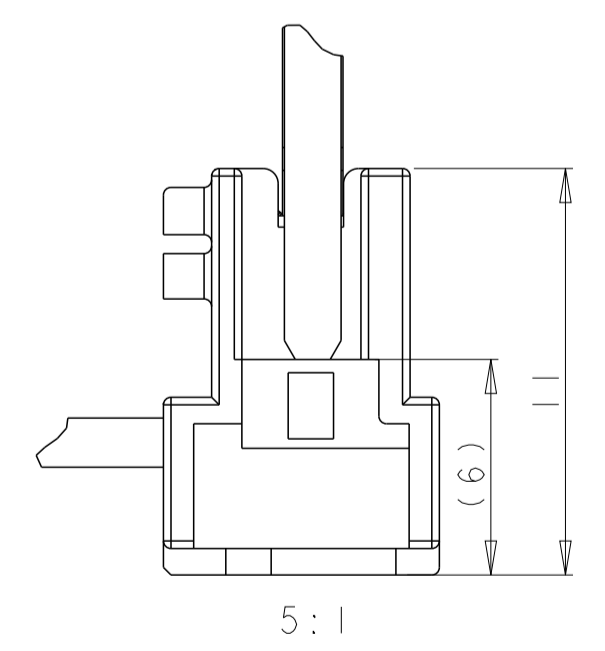
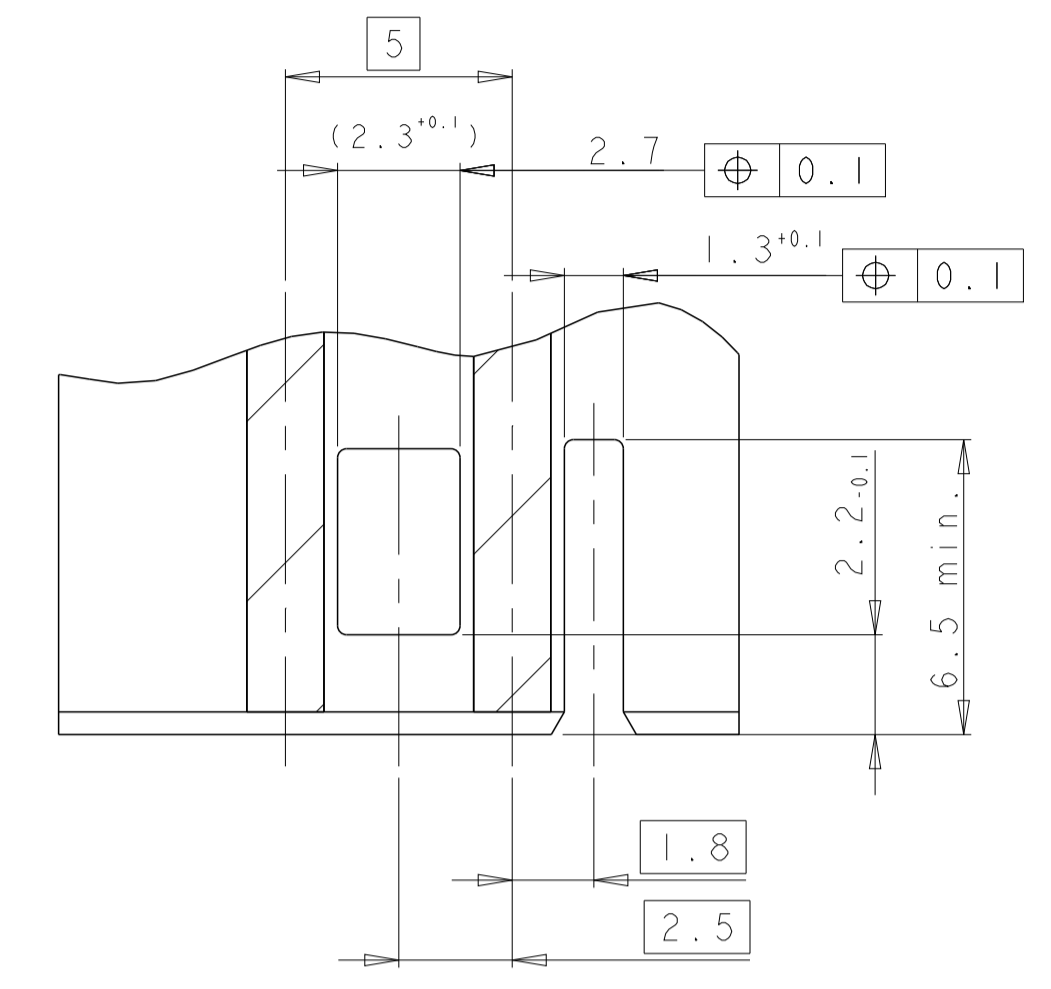


TOLERANCES UNLESS OTHERWISE SPEC. ±0.1 mm  
 Freimasstoleranz ±0.1 mm

SPECIAL VERSION 2 POSN.  
Sondervariante 2 pol.



3-1355181-2, 2311512-2



THIS DRAWING IS A CONTROLLED DOCUMENT.		DWN: Weber 16MRZ99	TE Connectivity	
		CHK: Schnaubelt 06JUL99		
DIMENSIONS: mm		DIMENSIONS: mm TOLERANCES UNLESS OTHERWISE SPECIFIED: 0 PLC ±0.2 1 PLC ±0.2 2 PLC ±0.2 3 PLC ±0.2 4 PLC ±0.2 ANGLES ±2° FINISH SEE TABLE		NAME: AMP DUOPLUG 2.5 WITH PCB LOCKING DEVICE DGB 11 PRODUCT SPEC: - APPLICATION SPEC: - SIZE: 114-18049-1 WEIGHT: - CUSTOMER DRAWING
MATERIAL: SEE TABLE		SCALE: 10:1		SHEET: 2 OF 2 REV: D

## X-ON Electronics

Largest Supplier of Electrical and Electronic Components

*Click to view similar products for [Headers & Wire Housings](#) category:*

*Click to view products by [TE Connectivity](#) manufacturer:*

Other Similar products are found below :

[892-18-020-10-001101](#) [58102-G61-06LF](#) [582553-1](#) [0009485154](#) [009176003701906](#) [0050291907](#) [LY20-4P-DT1-P1E-BR](#) [02.125.8002.8](#)  
[609-3404](#) [61062-3](#) [61082-181009](#) [622-3653LF](#) [63453-116](#) [636-1030](#) [636-1427](#) [636-3427](#) [636-4007](#) [641938-9](#) [641991-4](#) [644827-2](#) [65817-010LF](#) [65817-015LF](#) [65863-015LF](#) [66207-023LF](#) [67095-007LF](#) [67601157](#) [68645-018](#) [68648-049](#) [70.362.1628.0](#) [70-4210](#) [70-4226B](#) [70-4853B](#) [707-5020](#) [707-5028](#) [71.350.2428.0](#) [71918-208LF](#) [71961-016LF](#) [733-134](#) [733-162](#) [754199-000](#) [760-3052](#) [787-8014-00](#) [79531-3000](#)  
[FCN-360C032-B](#) [FCN-367T-T012/H](#) [FCN-723D010/2](#) [80.063.4001.1](#) [800-90-001-10-001000](#) [800-90-010-10-002000](#) [801-43-002-10-013000](#)