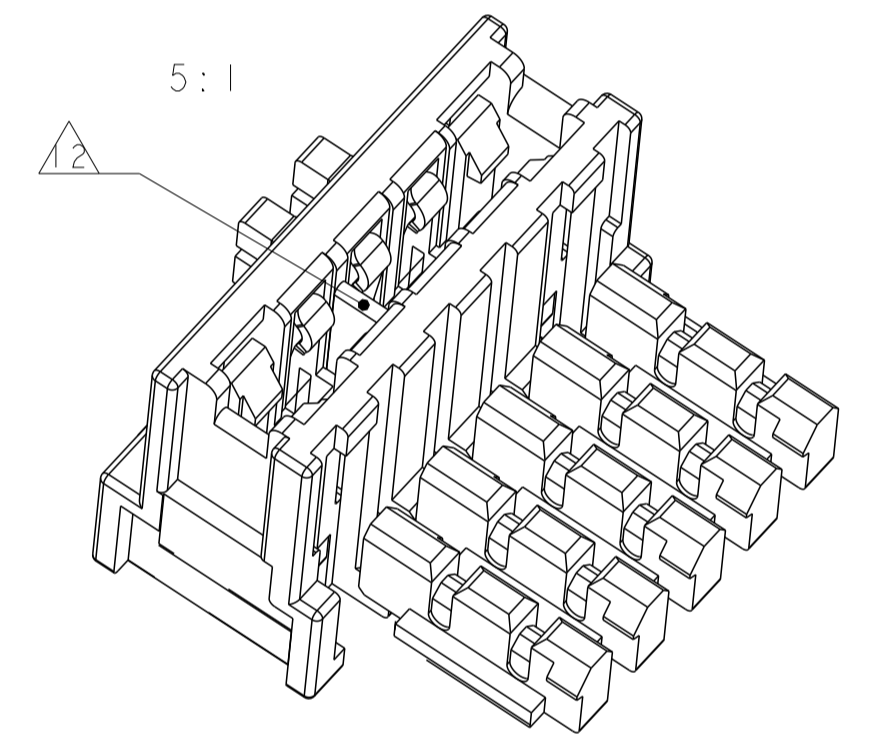
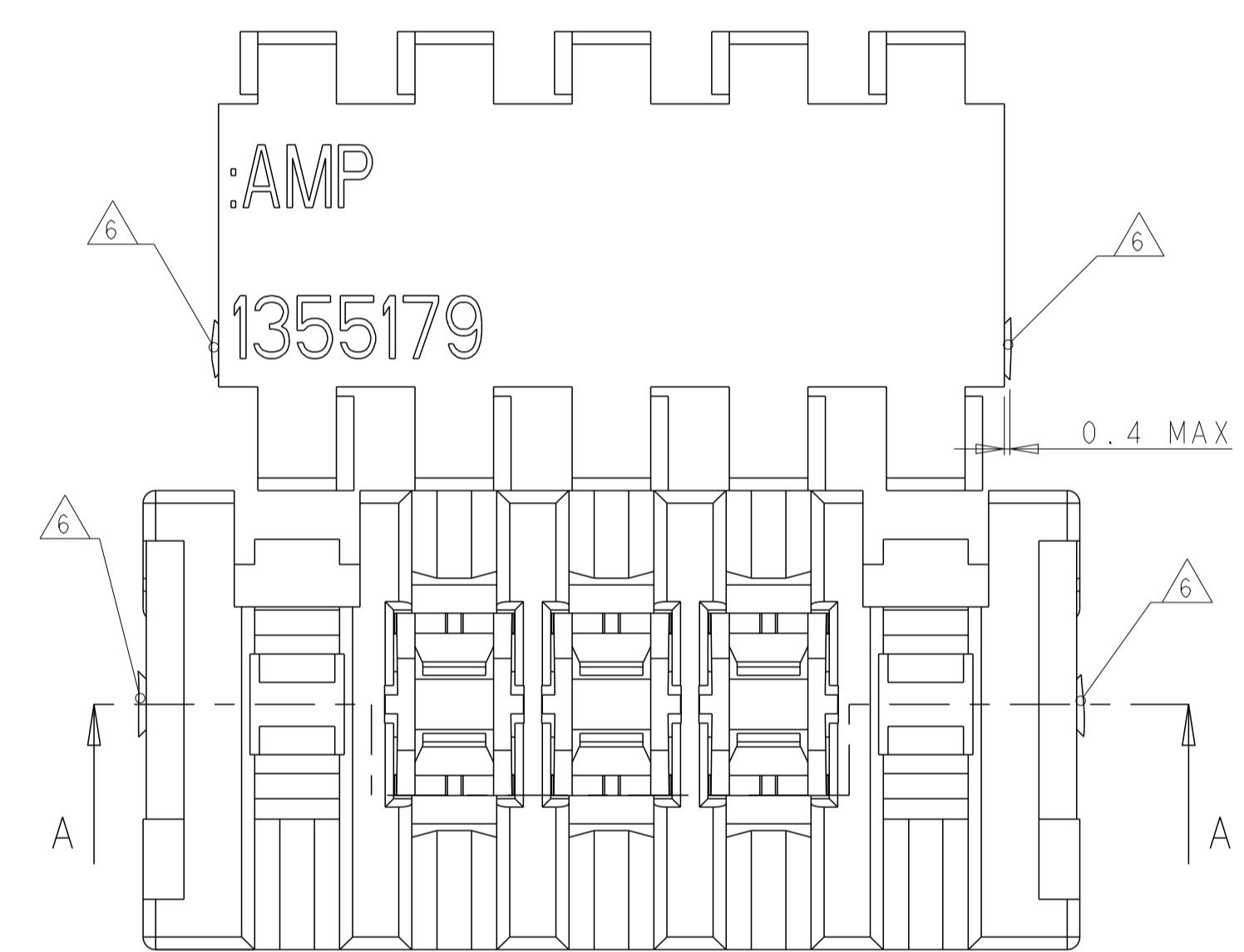
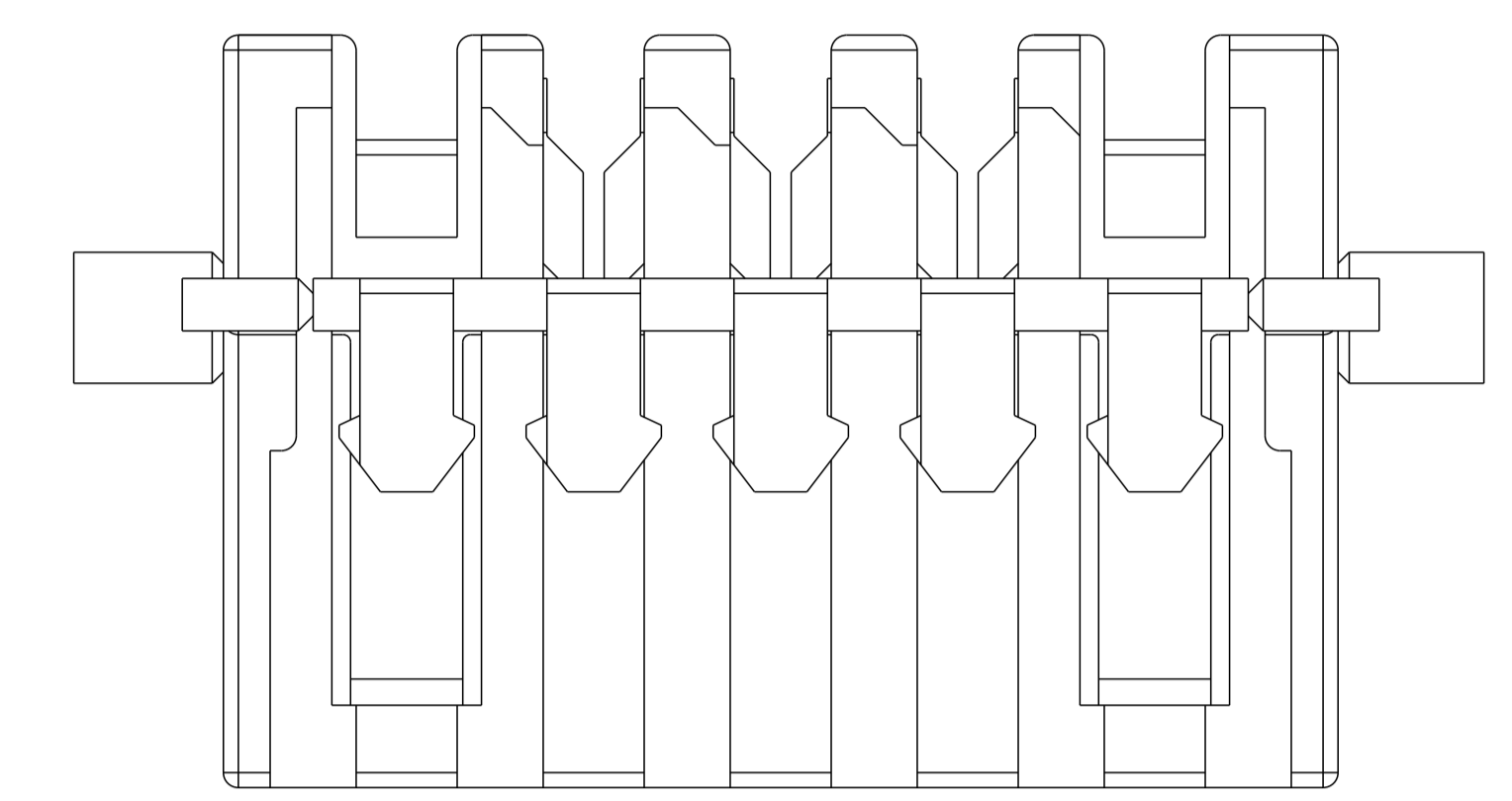
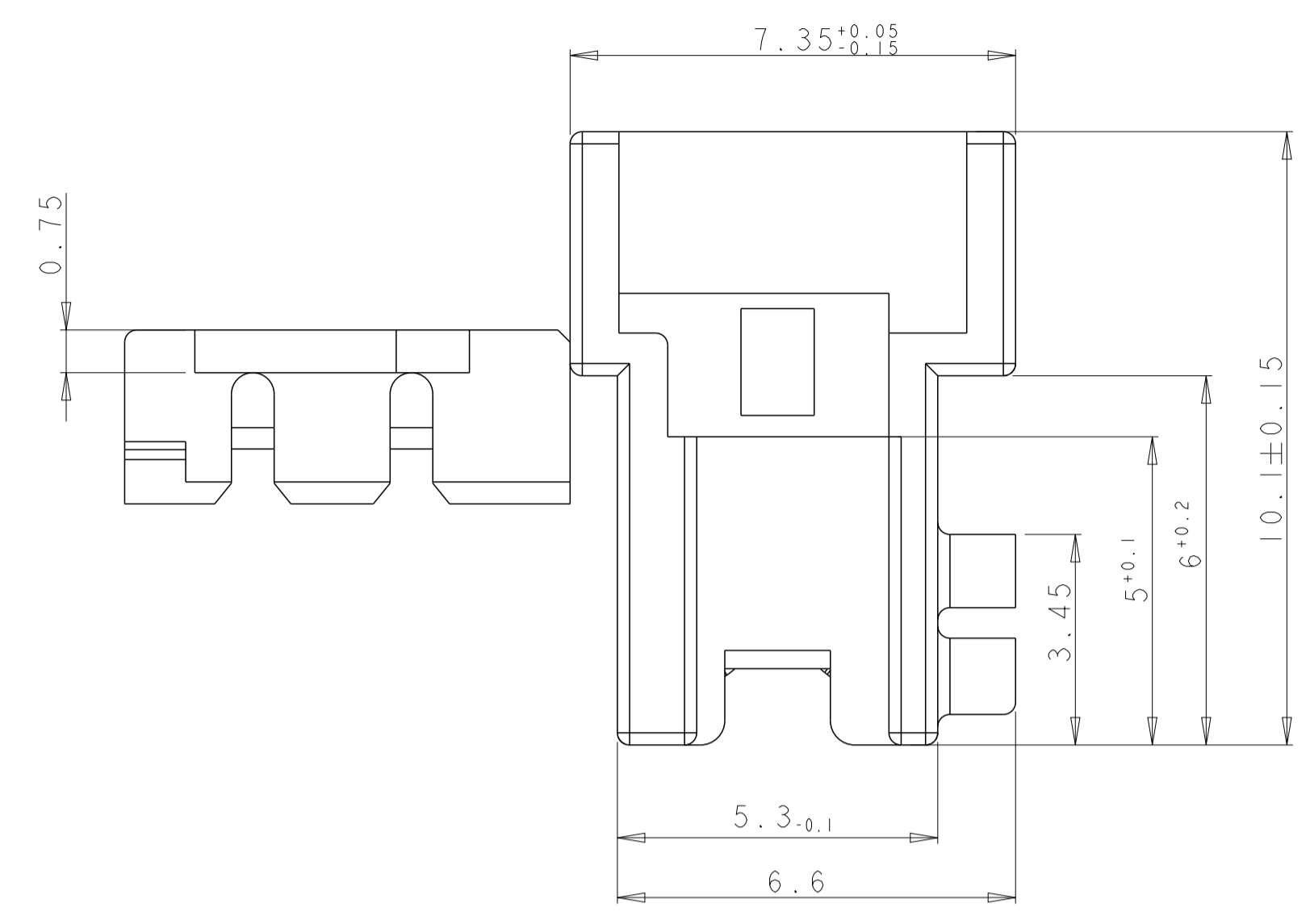
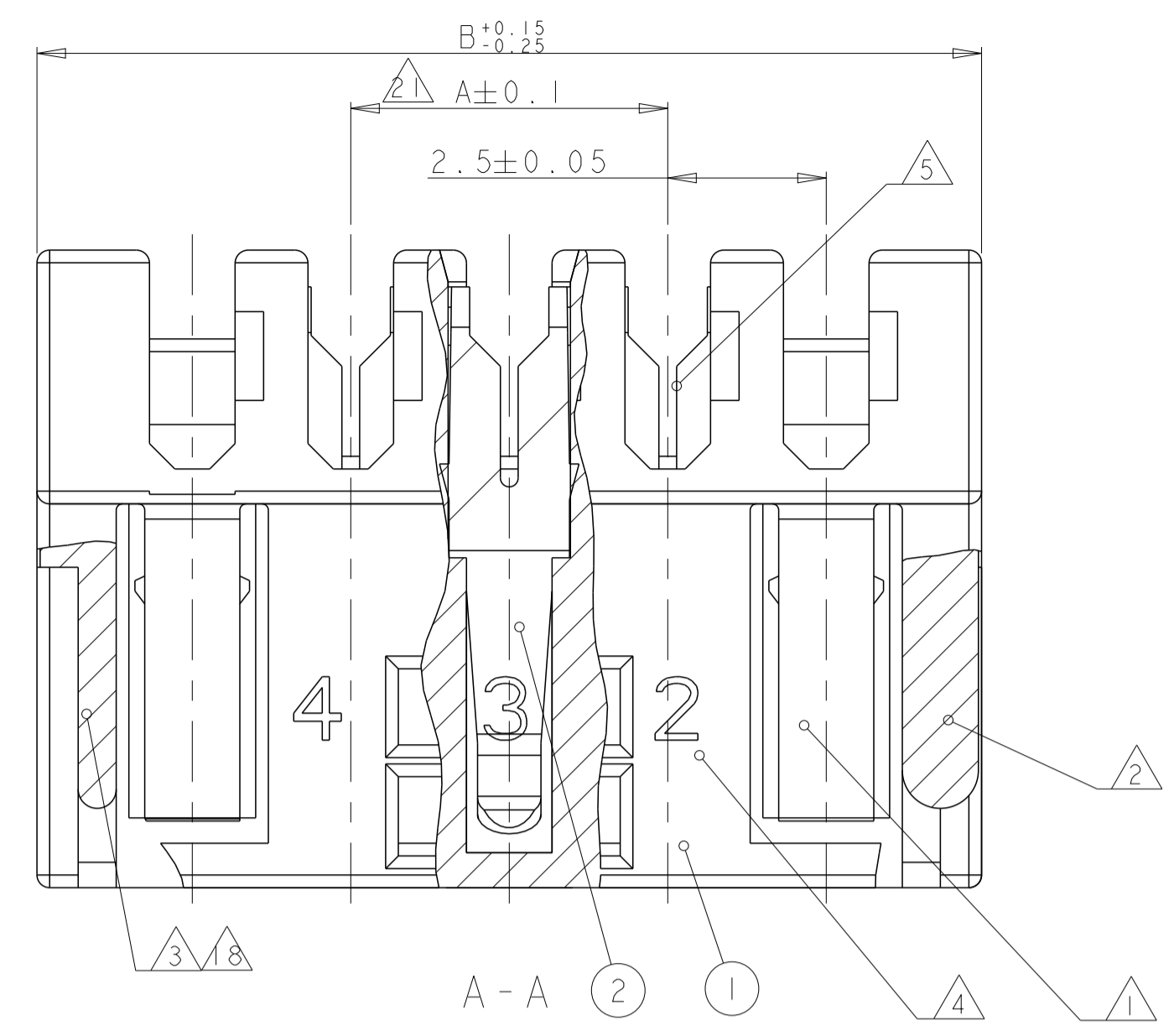


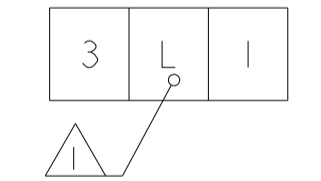
REVISIONS				
P.	LTN.	DESCRIPTION	DATE	APVD.
C6		ECR-16-017578	15DEC2016	KD RR
C7		REVISED PER ECR-18-016904	05NOV2018	BDA DC
C8		REVISED PER ECR-19-007333	09MAY2019	MG FL
D		REVISED PER ECR-19-015555	04NOV2019	KD FL



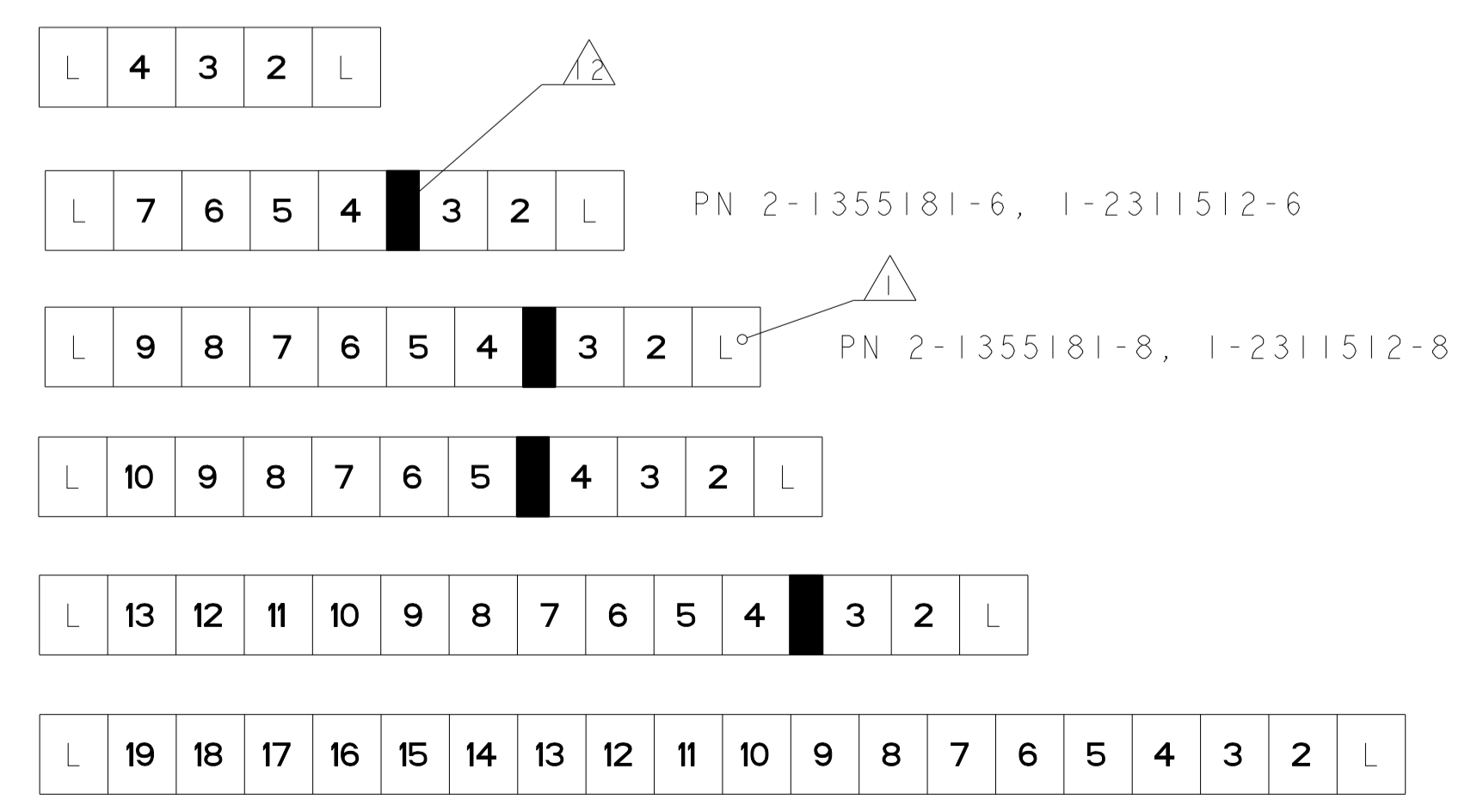
LOCKING AND KEYING PLAN
Rasthaken und Kodierschema

SPECIAL VERSION 2 POSN.
Sondervariante 2 pol.

PN 1-355181-2
1-2311512-2



Variante
3 pol. - 18 pol.



- △2 DIMENSION A BETWEEN FIRST AND LAST CONTACT
- △20 PBT GF, UL94-V0 & GWEPT 750 NO-FLAME
- △19 PBT GF
- △18 ONLY FOR 3-1355181-2 & 2311512-2, REMOVED THE POLARIZATION RIB ON THE LAST CAVITY
- △17 PRELIMINARY - NOT RELEASED FOR PRODUCTION
- △16 OBSOLETE PARTS: OBSOLETE CIS STREAMLINING PER D.RENAUD/D.SINISI
- △15 DIMENSION OF THE PADS ON BOTH SIDES OF THE SLOT (NOTE 13), MIRRORED Leiterbahnabmessung beidseitig vom Schlitz (Note 13), spiegelbildlich
- △14 DIMENSION IN BRACKET ONLY USED WITH AMP DUOPLUG 2.5 mm FEMALE CONNECTOR. Masse in Klammer nur geeignet fuer AMP DUOPLUG 2.5 mm Federleisten.
- △13 SLOT FOR ADDITIONAL KEYING RIB Schlitz fuer zusaetzliche Kodierrippe
- △12 ADDITIONAL KEYING RIB BETWEEN CAVITY NO. Zusaeztliche Kodierrippe zwischen Kammer Nr.
- △11 REDUCTION OF PAD WIDTH OF ALL PADS AS SHOWN IS POSSIBLE. Verjuengung aller Leiterbahnen wie dargestellt moeglich.
- △10 INCLUSIVE COPPER CLADDING: Inclusive Kupferkaschierung:
- △9 PCB PREFERABLY CHAMFERED. Leiterplatte vorzugsweise angefast.
- △8 SLOT FOR KEYING RIB. Schlitz fuer Kodierrippe.
- △7 SLOT FOR POLARIZATION RIB. Schlitz fuer Polarisierungsrippe.
- △6 CUTTING AREA FROM PRODUCING PROCESS. Schnittbereich durch Herstellungsprozess.
- △5 SLOT ACCEPT STRANDED WIRE 7x0.25mm=0.35mm². SEE APPLICATION SPECIFICATION 114-18049. Schlitz geeignet fuer Leitungen 7x0.25mm=0.35mm². Siehe Verarbeitungsanweisung 114-18049.
- △4 CAVITY NO. Kammer Nr.
- △3 POLARIZATION RIB Polarisierungsrippe
- △2 KEYING RIB Kodierrippe
- △1 LOCKING LATCH BEFORE FIRST AND AFTER LAST CAVITY (3-18 POSN.) AND ON MIDDLE CAVITY (2 POSN. ONLY) Rasthaken vor 1. Kammer und nach letzter Kammer (3-18 polig) und bei mittlerer Kammer (nur 2 polig)

OBSOLETE	18	42.5	52.4	-	1-1355182-8	-
OBSOLETE	17	40	49.9	-	1-1355182-7	-
OBSOLETE	16	37.5	47.4	-	1-1355182-6	-
OBSOLETE	15	35	44.9	-	1-1355182-5	-
OBSOLETE	14	32.5	42.4	-	1-1355182-4	-
OBSOLETE	13	30	39.9	-	1-1355182-3	-
OBSOLETE	12	27.5	37.4	3+4	2-1355182-2	-
OBSOLETE	11	25	34.9	-	1-1355182-1	-
OBSOLETE	10	22.5	32.4	-	1-1355181-0	1-2311512-0
OBSOLETE	9	20	29.9	4+5	2-1355181-9	-
				-	1-1355181-9	2311512-9
	8	17.5	27.4	3+4	2-1355181-8	1-2311512-8
				-	1-1355181-8	2311512-8
	7	15	24.9	-	1-1355181-7	2311512-7
	6	12.5	22.4	3+4	2-1355181-6	1-2311512-6
				-	1-1355181-6	2311512-6
	5	10	19.9	-	1-1355181-5	2311512-5
	4	7.5	17.4	-	1-1355181-4	2311512-4
	3	5	14.9	-	1-1355181-3	2311512-3
	2	5	9.9	-	△3-1355181-2	2311512-2
				-	1-1355181-2	1-2311512-2
POS. Polzahl	DIM A Mass A	DIM B Mass B	KEYING Kodierung	PART NUMBER	PART NUMBER	

THIS DRAWING IS A CONTROLLED DOCUMENT.				DWN Heber 16MRZ99 CHK Schnaubelt 06JUL99	
DIMENSIONS: mm		TOLERANCES UNLESS OTHERWISE SPECIFIED:			
SEE TABLE		0 PLC	±0.2	PRODUCT SPEC	
Siehe Tabelle		1 PLC	±0.2	APPLICATION SPEC	
PN Bestell-Nr.		2 PLC	±0.2	114-18049-1	
POS.	NAME	3 PLC	±0.2	WEIGHT	
		4 PLC	±0.2	CUSTOMER DRAWING	
		ANGLES	±0.2	SCALE 10:1	
		FINISH	±0.2	SHEET 1 OF 2	
		COLOR/Farbe		REV D	

X-ON Electronics

Largest Supplier of Electrical and Electronic Components

Click to view similar products for [Standard Card Edge Connectors](#) category:

Click to view products by [TE Connectivity](#) manufacturer:

Other Similar products are found below :

[CR7E-30DB-3.96E\(72\)](#) [6364499-1](#) [6565204-6](#) [PKC-156](#) [1437274-4](#) [147889-1](#) [1489165-4](#) [EBT15622B2X](#) [1-582587-1](#) [284-0102-12100](#)
[286-0052-12101A](#) [306022901000000](#) [307-012-502-202](#) [307-056-520-300](#) [2129318-1](#) [245-062-520-350](#) [287-0032-12101](#) [306-028-525-102](#)
[307-072-526-202](#) [345-060-559-303](#) [392-008-559-201](#) [534671-1](#) [341-240-317](#) [345-044-500-300](#) [346-240-318](#) [395-100-524-300](#) [09-07-2032](#)
[10035388-802LF](#) [10115859-011LF](#) [10122859-009LF](#) [10127905-B04B24BLF](#) [530555-1](#) [5-678046-1](#) [73726-0005](#) [66308-1](#) [1-1437275-6](#)
[PEC-07-02-T-S-A](#) [346-014-520-801](#) [307-048-502-202](#) [CE100F22-9-C](#) [CE100F26-7-C](#) [CE100F28-3-D](#) [CE156F18-9-C](#) [CE156F22-5-D](#)
[CE156F22-9-C](#) [CT100F22-2-D](#) [CT100F22-3-D](#) [CT100F24-2-D](#) [CT100F24-3-D](#) [CT100F24-6-C](#)