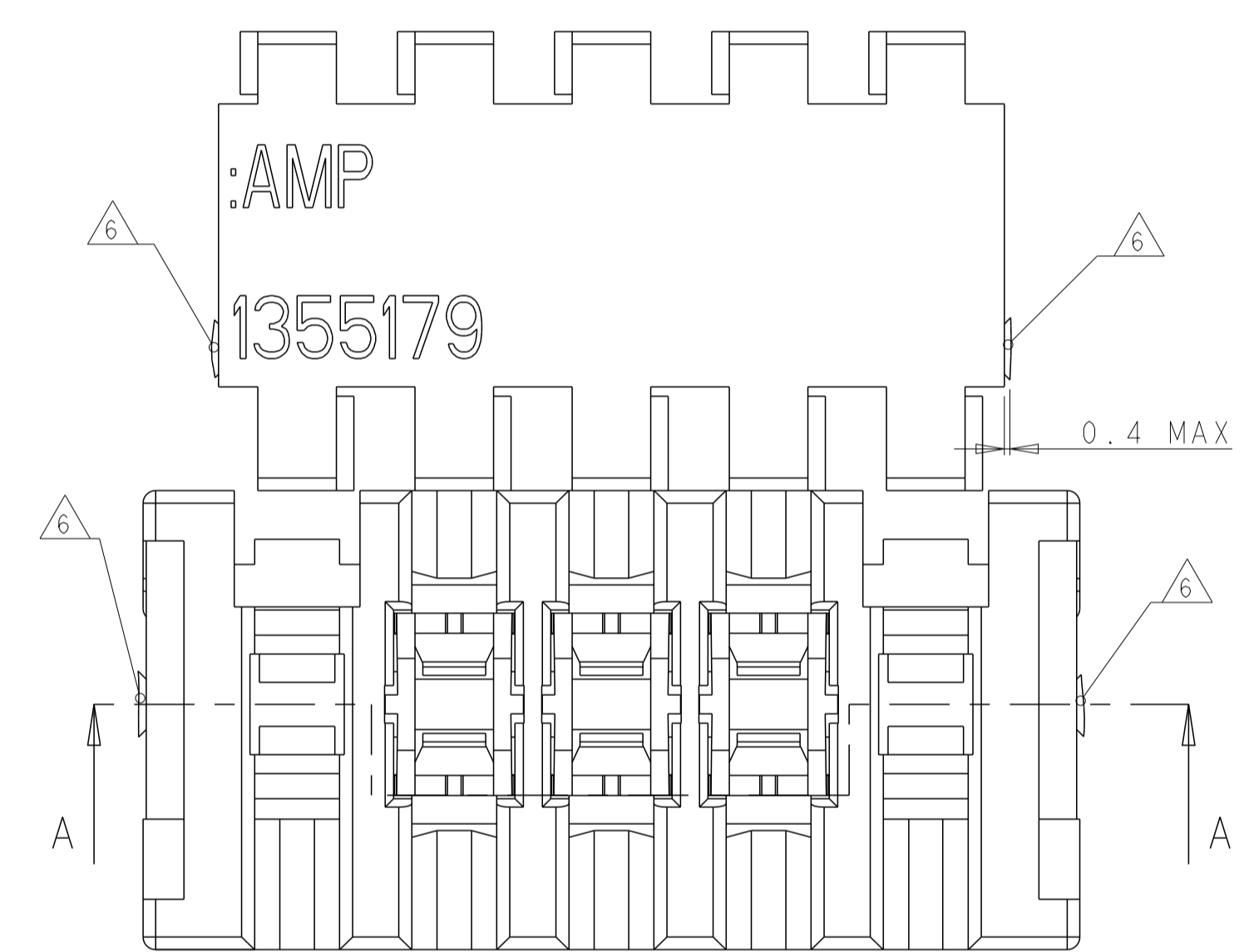
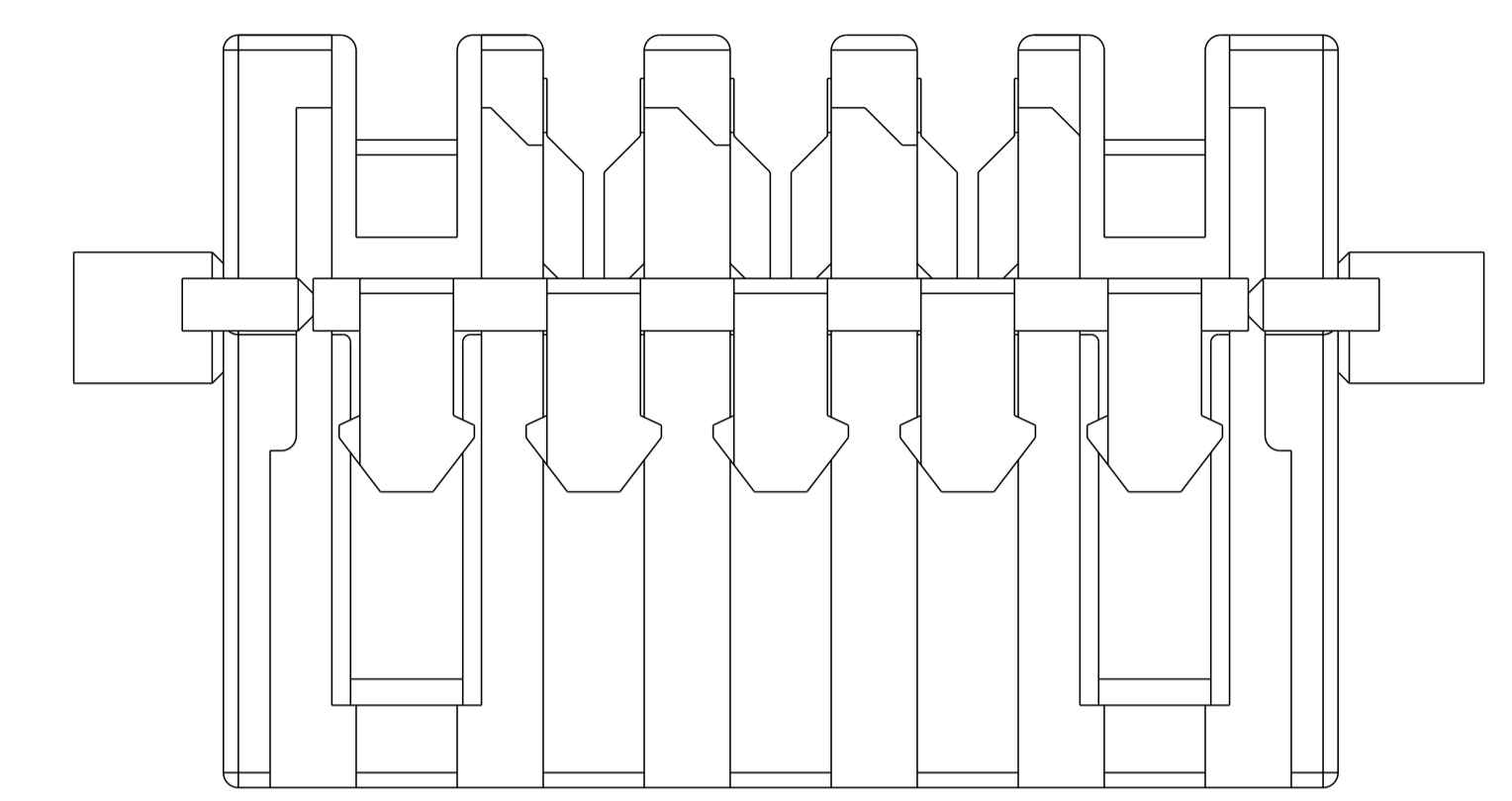
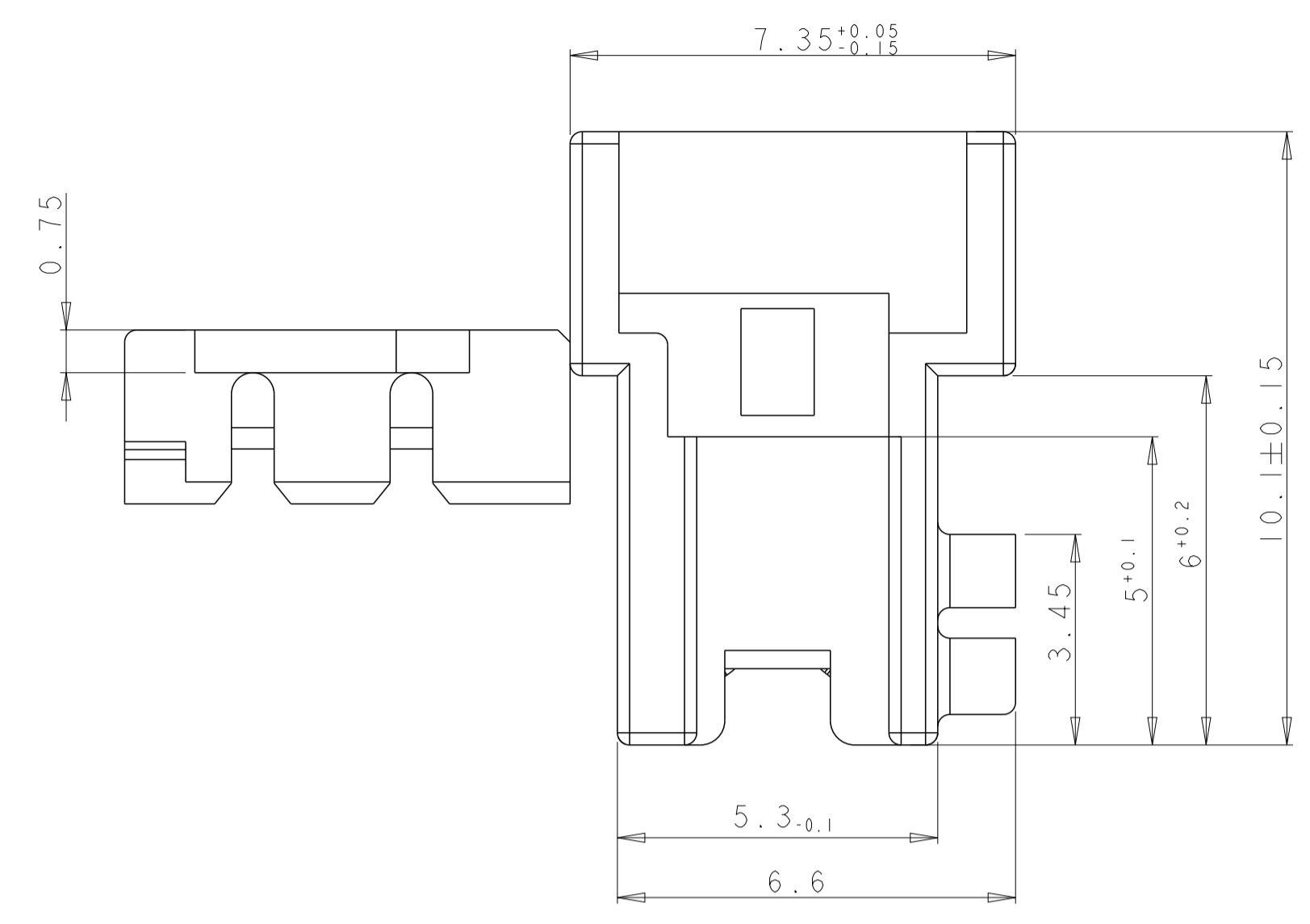
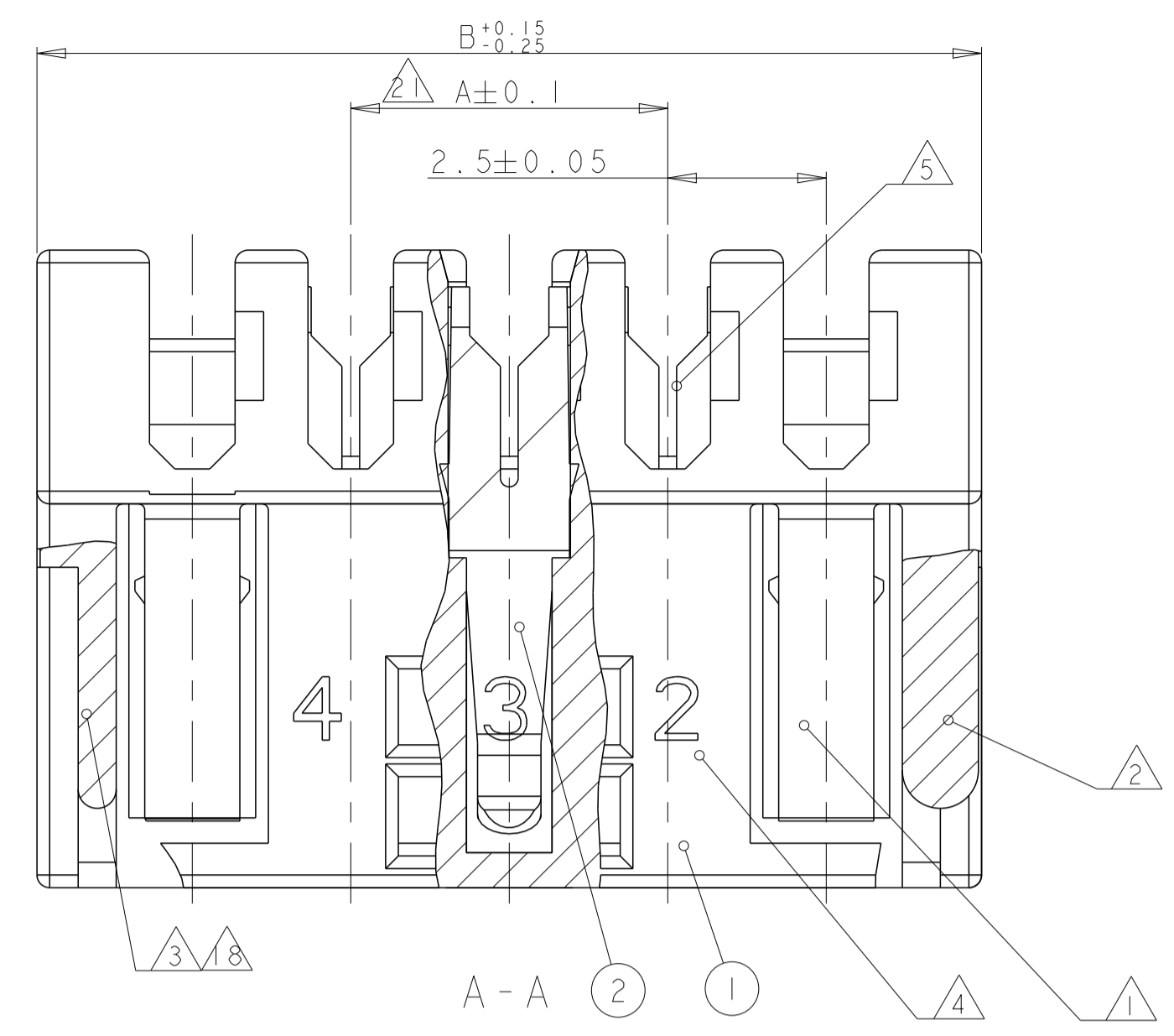
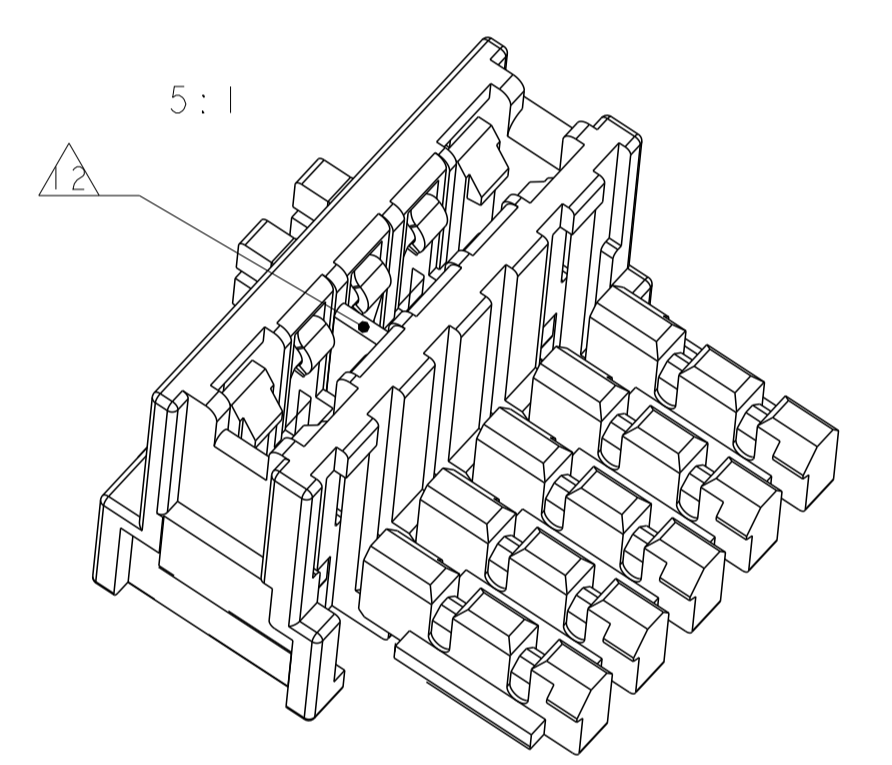


REVISIONS				
P.	LTN.	DESCRIPTION	DATE	APVD.
C6		ECR-16-017578	15DEC2016	KD RR
C7		REVISED PER ECR-18-016904	05NOV2018	BDA DC
C8		REVISED PER ECR-19-007333	09MAY2019	MG FL
D		REVISED PER ECR-19-015555	04NOV2019	KD FL



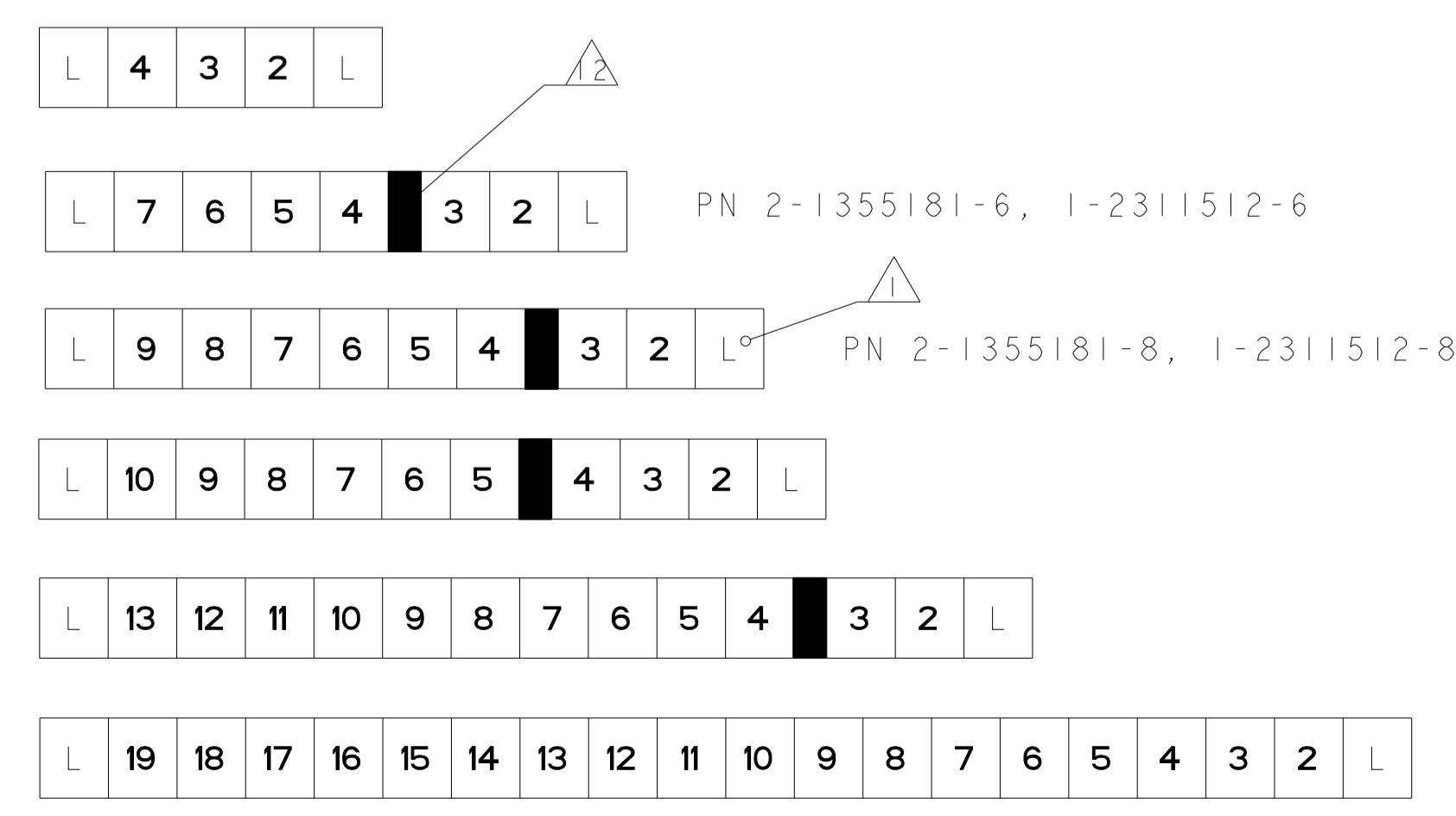
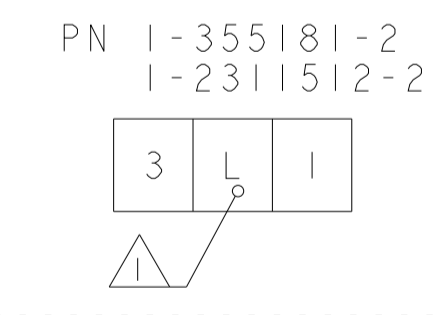
- △2 DIMENSION A BETWEEN FIRST AND LAST CONTACT
- △20 PBT GF, UL94-V0 & GWEPT 750 NO-FLAME
- △19 PBT GF
- △18 ONLY FOR 3-1355181-2 & 2311512-2, REMOVED THE POLARIZATION RIB ON THE LAST CAVITY
- △17 PRELIMINARY - NOT RELEASED FOR PRODUCTION
- △16 OBSOLETE PARTS: OBSOLETE CIS STREAMLINING PER D.RENAUD/D.SINISI
- △15 DIMENSION OF THE PADS ON BOTH SIDES OF THE SLOT (NOTE 13), MIRRORED Leiterbahnabmessung beidseitig vom Schlitz (Note 13), spiegelbildlich
- △14 DIMENSION IN BRACKET ONLY USED WITH AMP DUOPLUG 2.5 mm FEMALE CONNECTOR. Masse in Klammer nur geeignet fuer AMP DUOPLUG 2.5 mm Federleisten.
- △13 SLOT FOR ADDITIONAL KEYING RIB Schlitz fuer zusaetzliche Kodierrippe
- △12 ADDITIONAL KEYING RIB BETWEEN CAVITY NO. Zusaeztliche Kodierrippe zwischen Kammer Nr.
- △11 REDUCTION OF PAD WIDTH OF ALL PADS AS SHOWN IS POSSIBLE. Verjuengung aller Leiterbahnen wie dargestellt moeglich.
- △10 INCLUSIVE COPPER CLADDING: Inclusive Kupferkaschierung:
- △9 PCB PREFERABLY CHAMFERED. Leiterplatte vorzugsweise angefast.
- △8 SLOT FOR KEYING RIB. Schlitz fuer Kodierrippe.
- △7 SLOT FOR POLARIZATION RIB. Schlitz fuer Polarisierungsrippe.
- △6 CUTTING AREA FROM PRODUCING PROCESS. Schnittbereich durch Herstellungsprozess.
- △5 SLOT ACCEPT STRANDED WIRE 7x0.25mm=0.35mm². SEE APPLICATION SPECIFICATION 114-18049. Schlitz geeignet fuer Leitungen 7x0.25mm=0.35mm². Siehe Verarbeitungsanweisung 114-18049.
- △4 CAVITY NO. Kammer Nr.
- △3 POLARIZATION RIB Polarisierungsrippe
- △2 KEYING RIB Kodierrippe
- △1 LOCKING LATCH BEFORE FIRST AND AFTER LAST CAVITY (3-18 POSN.) AND ON MIDDLE CAVITY (2 POSN. ONLY) Rasthaken vor 1. Kammer und nach letzter Kammer(3-18 polig) und bei mittlerer Kammer (nur 2 polig)



LOCKING AND KEYING PLAN
Rasthaken und Kodierschema

SPECIAL VERSION 2 POSN.
Sondervariante 2 pol.

Variante
3 pol. - 18 pol.

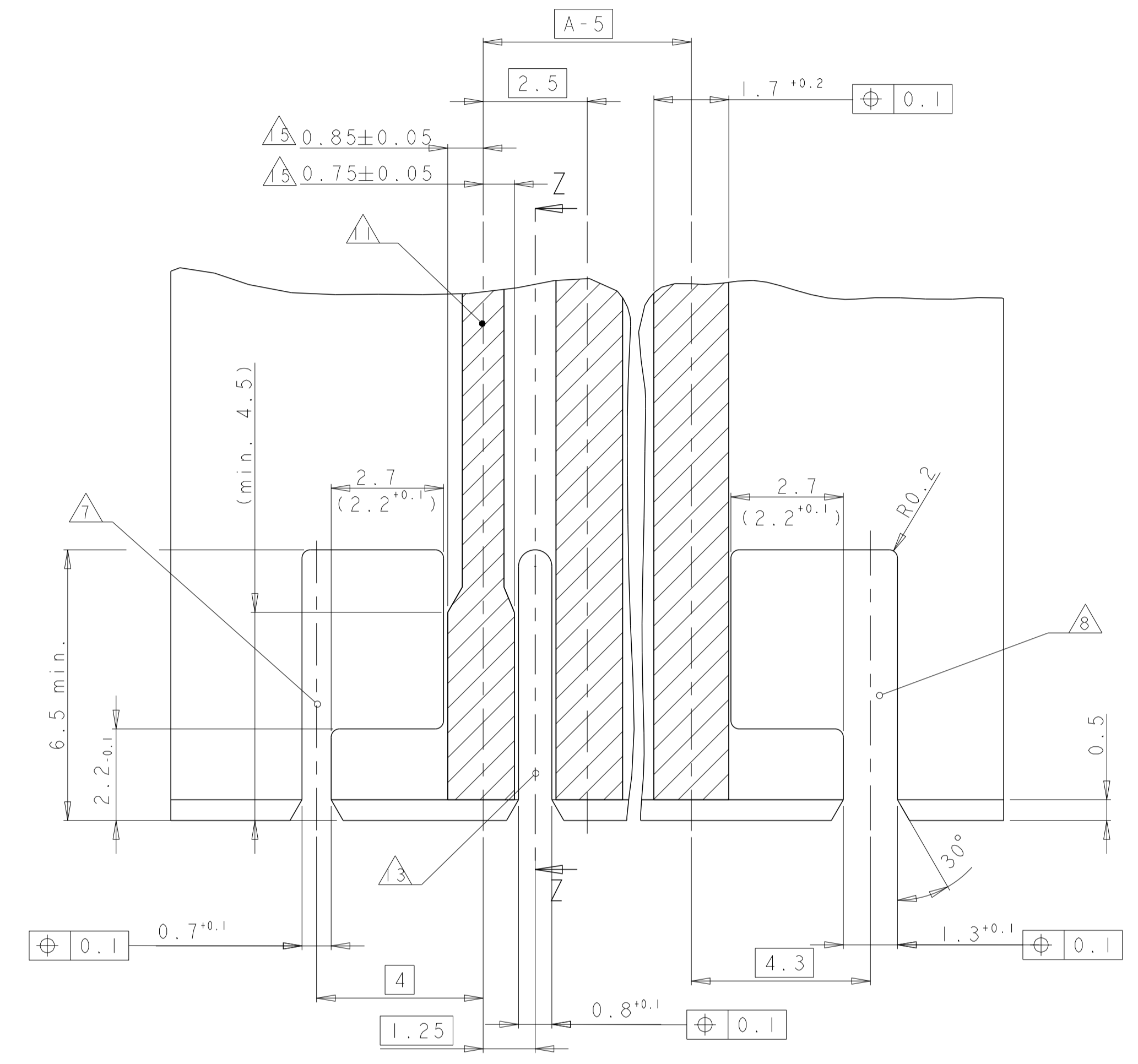


OBSOLETE	18	42.5	52.4	-	+1355182-8	-
OBSOLETE	17	40	49.9	-	+1355182-7	-
OBSOLETE	16	37.5	47.4	-	+1355182-6	-
OBSOLETE	15	35	44.9	-	+1355182-5	-
OBSOLETE	14	32.5	42.4	-	+1355182-4	-
OBSOLETE	13	30	39.9	-	+1355182-3	-
OBSOLETE	12	27.5	37.4	3+4	2-1355182-2	-
OBSOLETE	11	25	34.9	-	+1355182-1	-
OBSOLETE	10	22.5	32.4	-	1-1355181-0	1-2311512-0
OBSOLETE	9	20	29.9	4+5	2-1355181-9	-
	8	17.5	27.4	-	1-1355181-8	2311512-8
	7	15	24.9	-	1-1355181-7	2311512-7
	6	12.5	22.4	3+4	2-1355181-6	1-2311512-6
	5	10	19.9	-	1-1355181-5	2311512-5
	4	7.5	17.4	-	1-1355181-4	2311512-4
	3	5	14.9	-	1-1355181-3	2311512-3
	2	5	9.9	-	△3-1355181-2	2311512-2
				-	1-1355181-2	1-2311512-2
	POS. Polzahl	DIM A Mass A	DIM B Mass B	KEYING Kodierung	PART NUMBER	PART NUMBER

SEE TABLE	2	CONTACT/Kontakt	CuSn	TINNED/vorverzinnt
SEE TABLE	1	HOUSING/Federleistengehaeuse	PBT	NATUR
PN Bestell-Nr.	POS.	NAME	MATERIAL	FINISH/Oberflaeche COLOR/Farbe

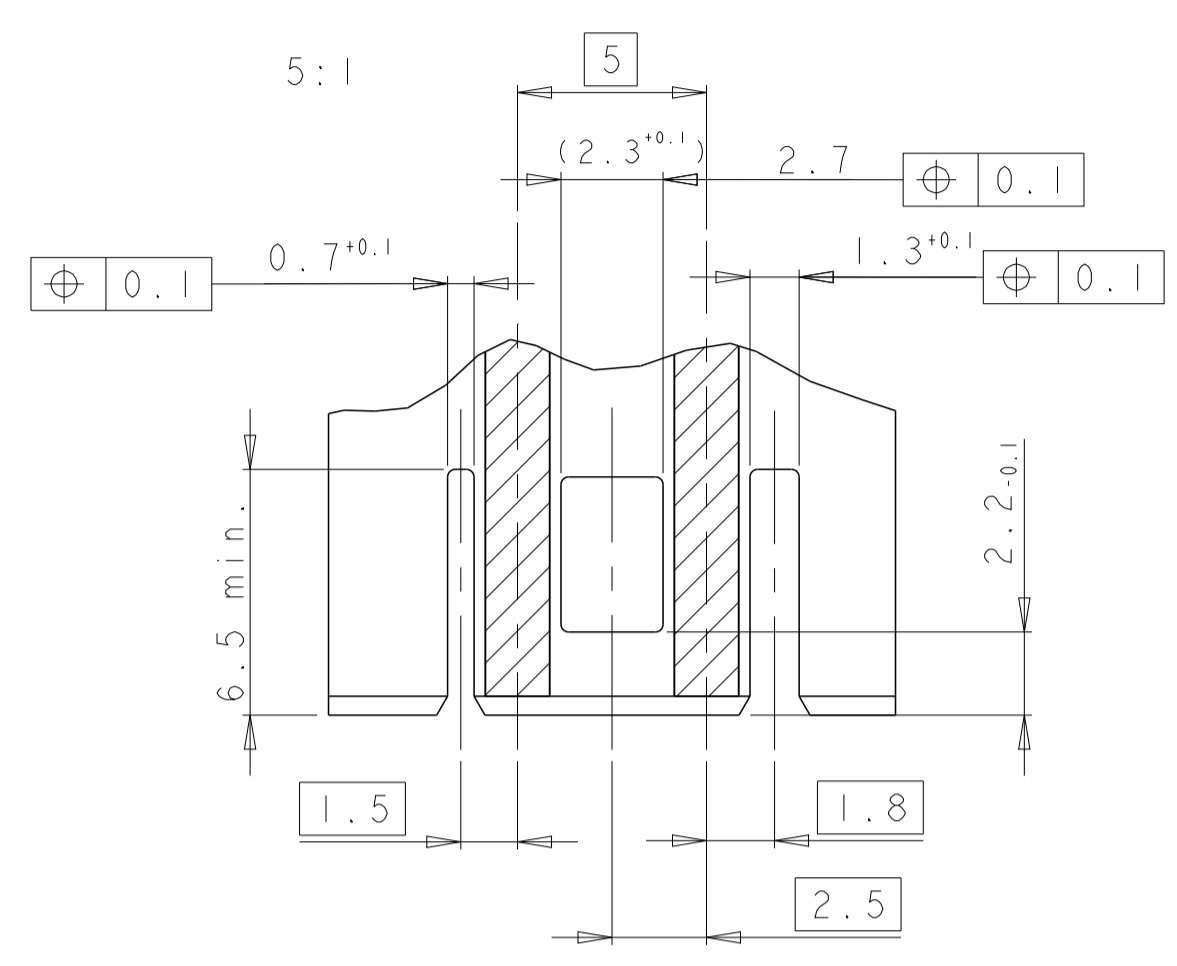
REVISIONS				
P.	LTN.	DESCRIPTION	DATE	APVD.
-	-	SEE SHEET 1	-	-

PCB LAYOUT
Leiterplattenanschluss

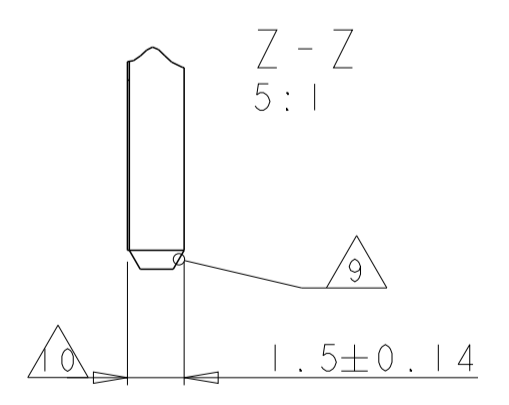
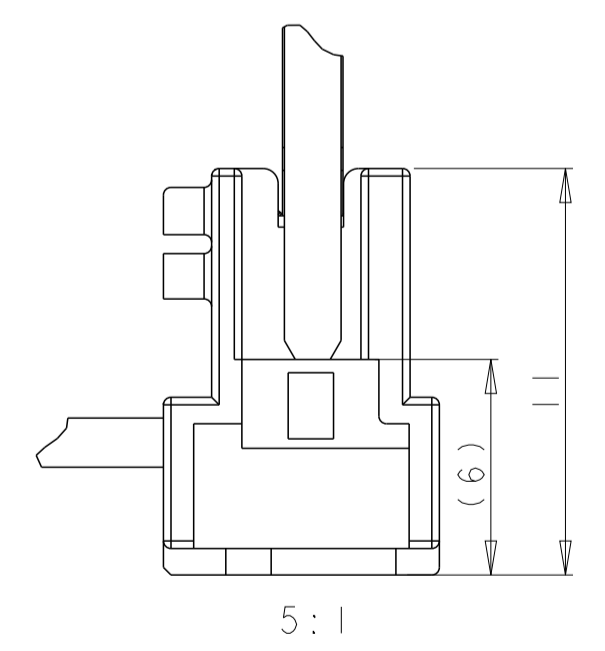
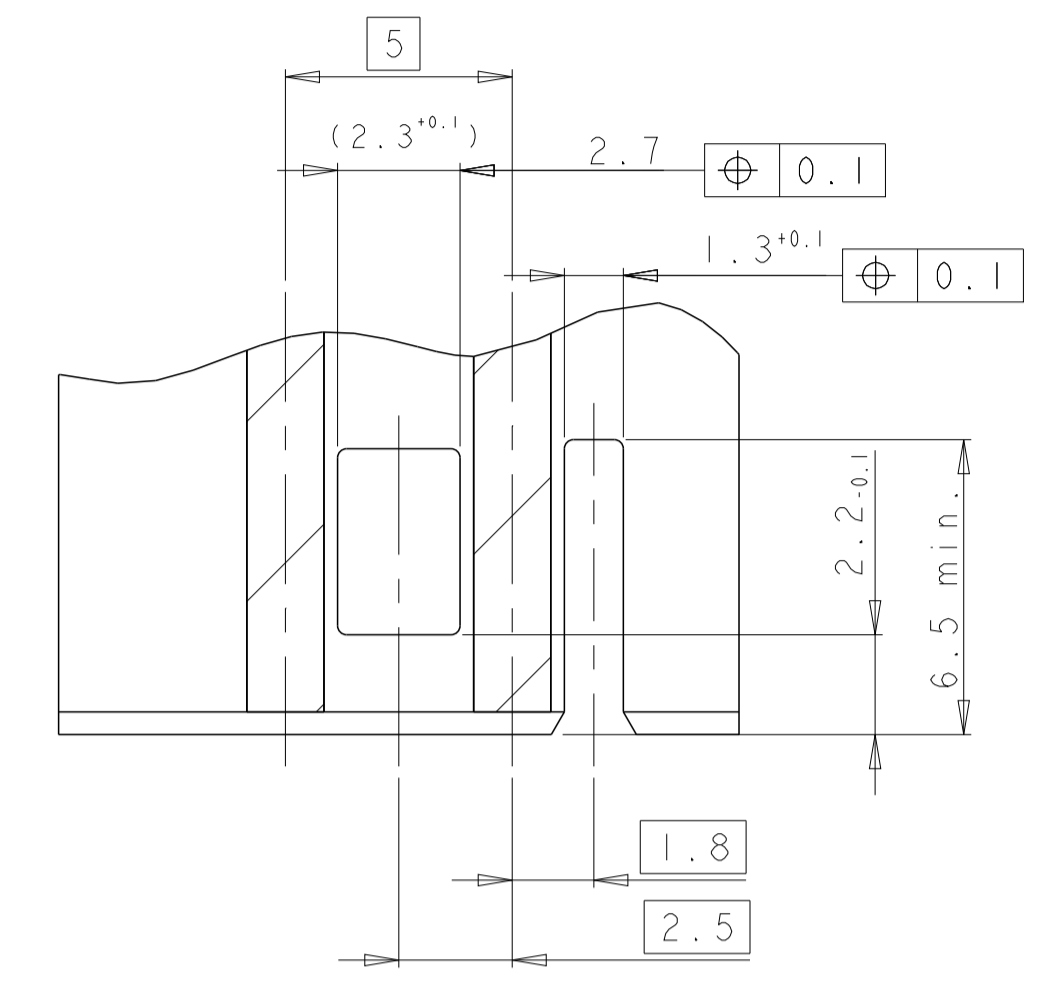


TOLERANCES UNLESS OTHERWISE SPEC. ±0.1 mm
 Freimasstoleranz ±0.1 mm

SPECIAL VERSION 2 POSN.
Sondervariante 2 pol.



3-1355181-2, 2311512-2



THIS DRAWING IS A CONTROLLED DOCUMENT.		DWN: Weber 16MRZ99	TE Connectivity	
		CHK: Schnaubelt 06JUL99		
DIMENSIONS: mm		TOLERANCES UNLESS OTHERWISE SPECIFIED:		NAME: AMP DUOPLUG 2,5 WITH PCB LOCKING DEVICE DGB 11
		0 PLC ±0.2	PRODUCT SPEC	SIZE: 114-18049-1
		1 PLC ±0.2	APPLICATION SPEC	RESTRICTED TO: -
		2 PLC ±0.2	WEIGHT: -	SCALE: 10:1 SHEET 2 OF 2 REV D
		3 PLC ±0.2	CUSTOMER DRAWING	
		4 PLC ±0.2		
		ANGLES ±0.2		
		FINISH ±2°		
MATERIAL: SEE TABLE		SEE TABLE		

X-ON Electronics

Largest Supplier of Electrical and Electronic Components

Click to view similar products for [Headers & Wire Housings](#) category:

Click to view products by [TE Connectivity](#) manufacturer:

Other Similar products are found below :

[95000-104TRLF](#) [10135584-644402LF](#) [DF62W-EP2022PCA](#) [95000-106TRLF](#) [DF62W-2022SCA](#) [DF62W-EP2022PC](#) [2203348](#) [DF62W-2022SC](#) [1084018](#) [1029039](#) [1084017](#) [802-10-012-10-002000](#) [1112640](#) [1112639](#) [000-34000](#) [0009482033](#) [0009507031](#) [57102-S06-03LF](#) [57202-S52-04LF](#) [PCN6-15S-2.5E](#) [0039019024](#) [58102-G61-06LF](#) [582553-1](#) [0009508121](#) [0050291907](#) [018731A](#) [LY20-4P-DT1-P1E-BR](#) [02.125.8002.8](#) [60101931](#) [60598-1 \(Cut Strip\)](#) [M1625-3R/100](#) [61062-3](#) [61082-181009](#) [636-1427](#) [638009-1](#) [641938-9](#) [641991-4](#) [644168-1](#) [647662-1](#) [65039-019ELF](#) [65817-002LF](#) [65817-015LF](#) [65863-015LF](#) [66207-023LF](#) [67016-026LF](#) [67046-001LF](#) [67095-007LF](#) [68002-116](#) [68016-236H](#) [68648-049](#)