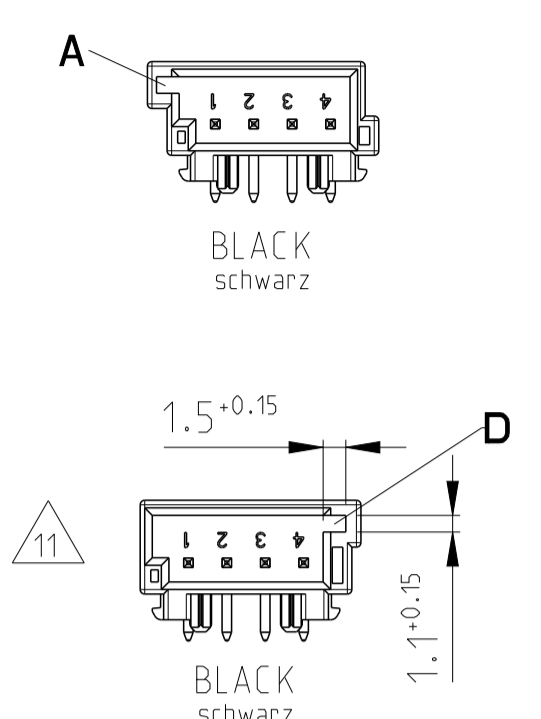
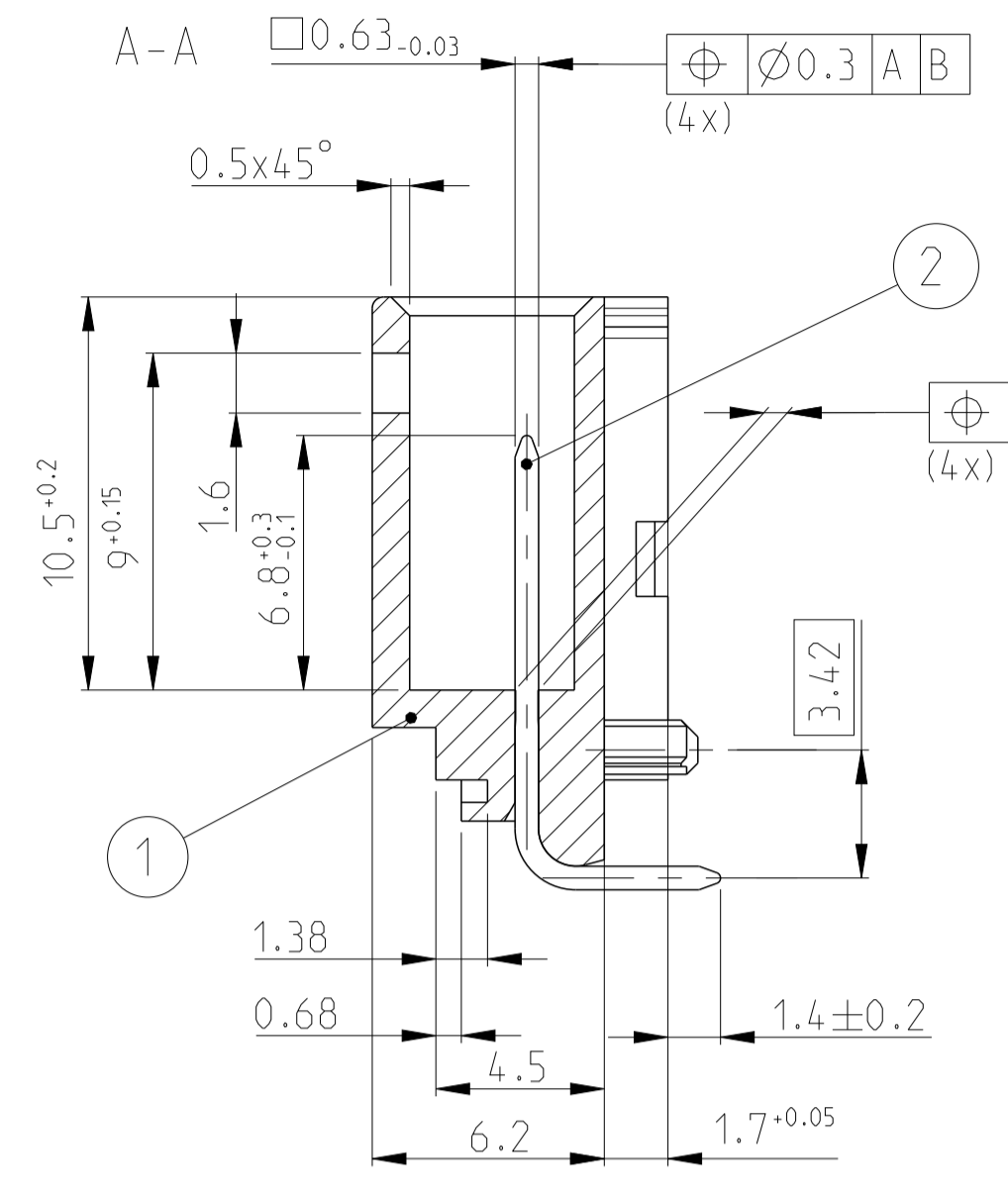
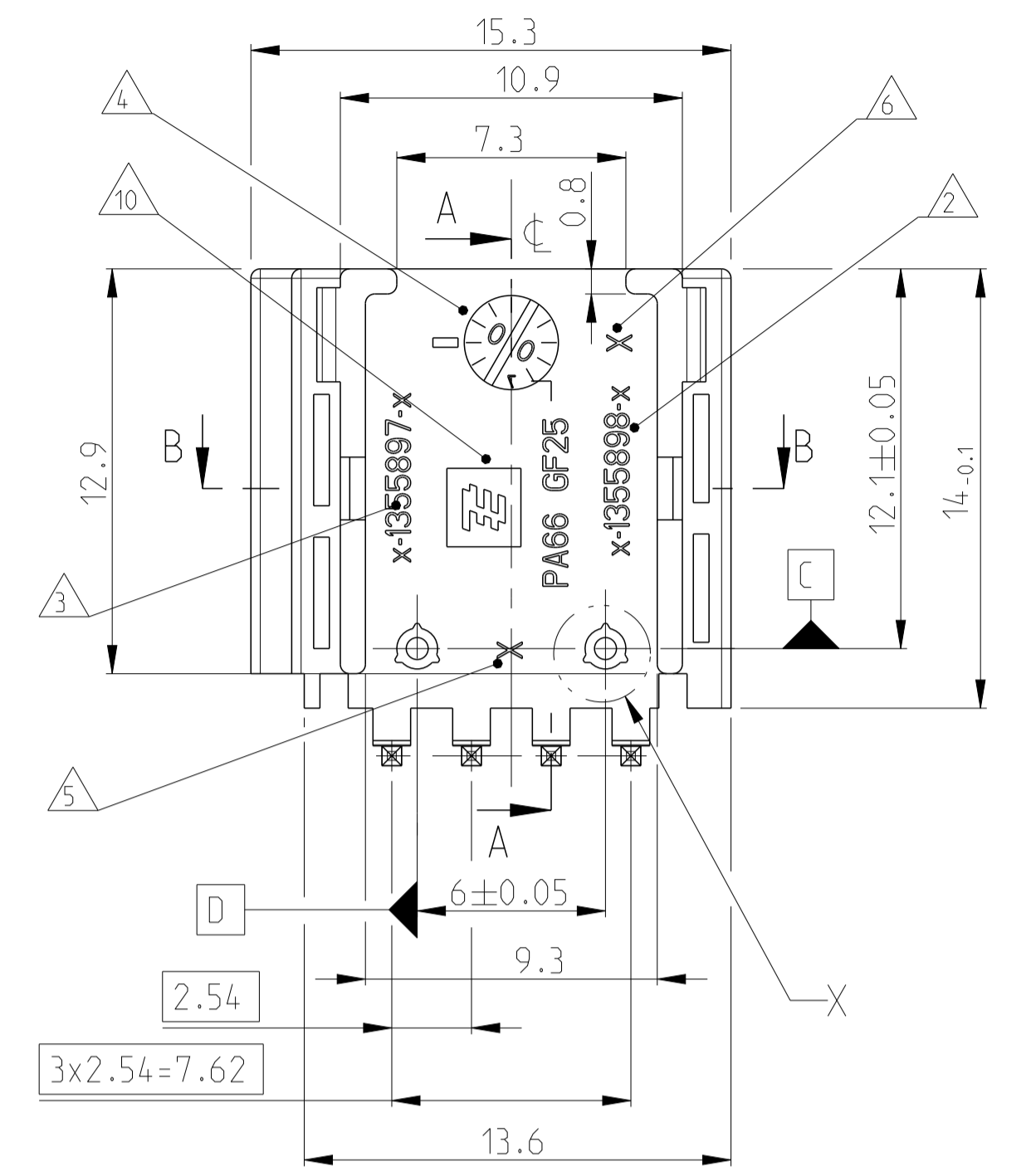


**CODING**  
 Kodierung  
 2:1

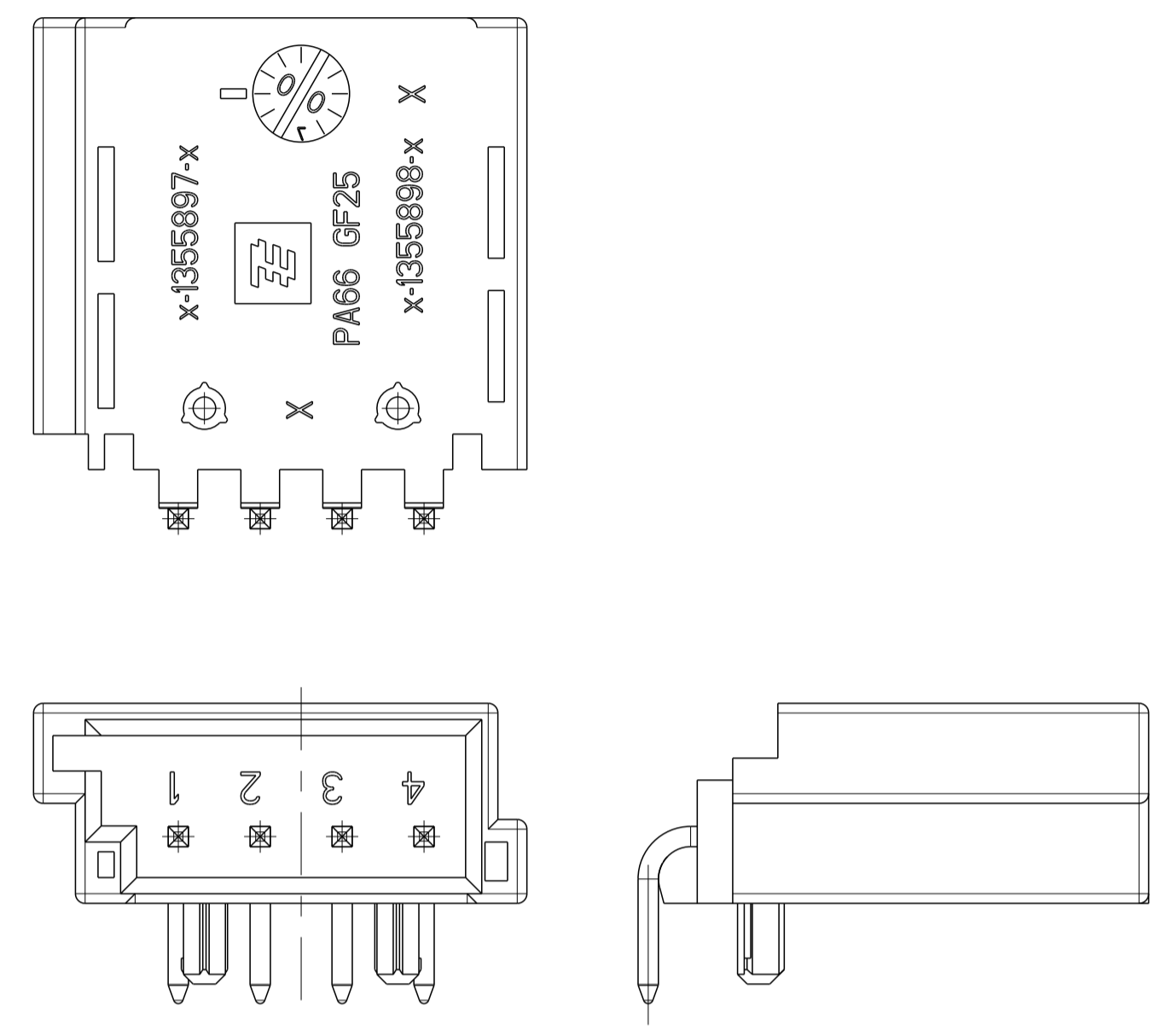


Part number 1-1355897-1 as shown

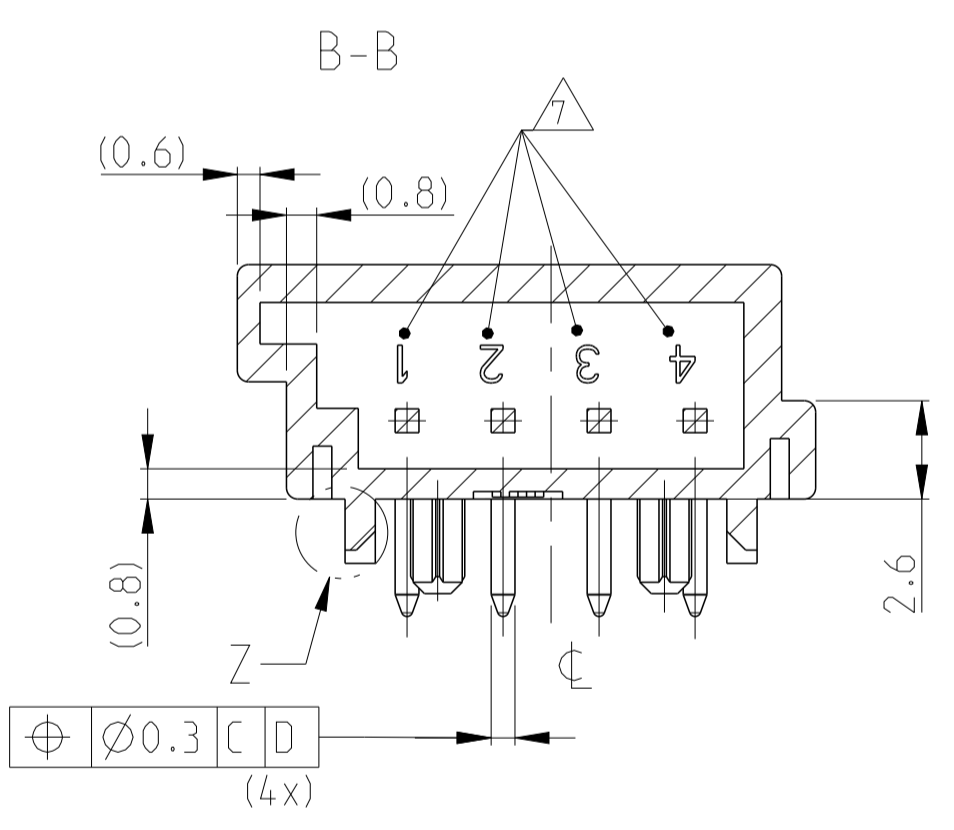
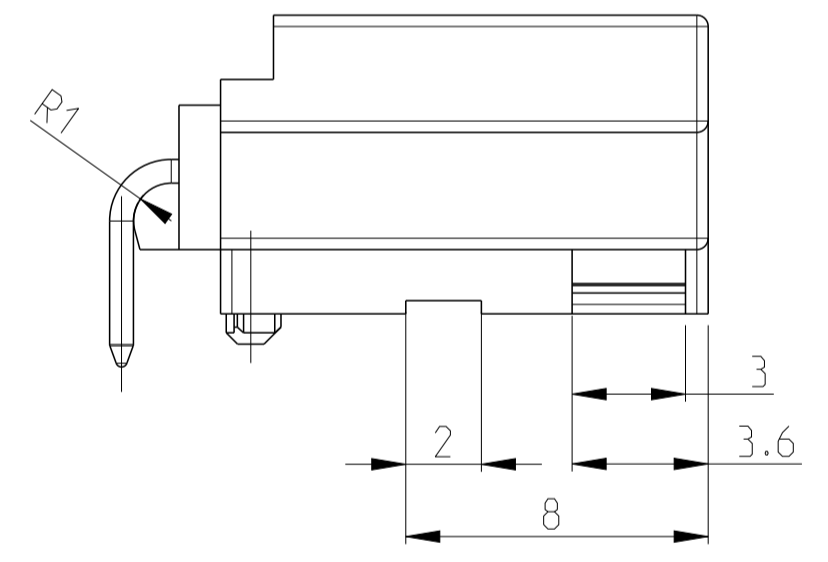
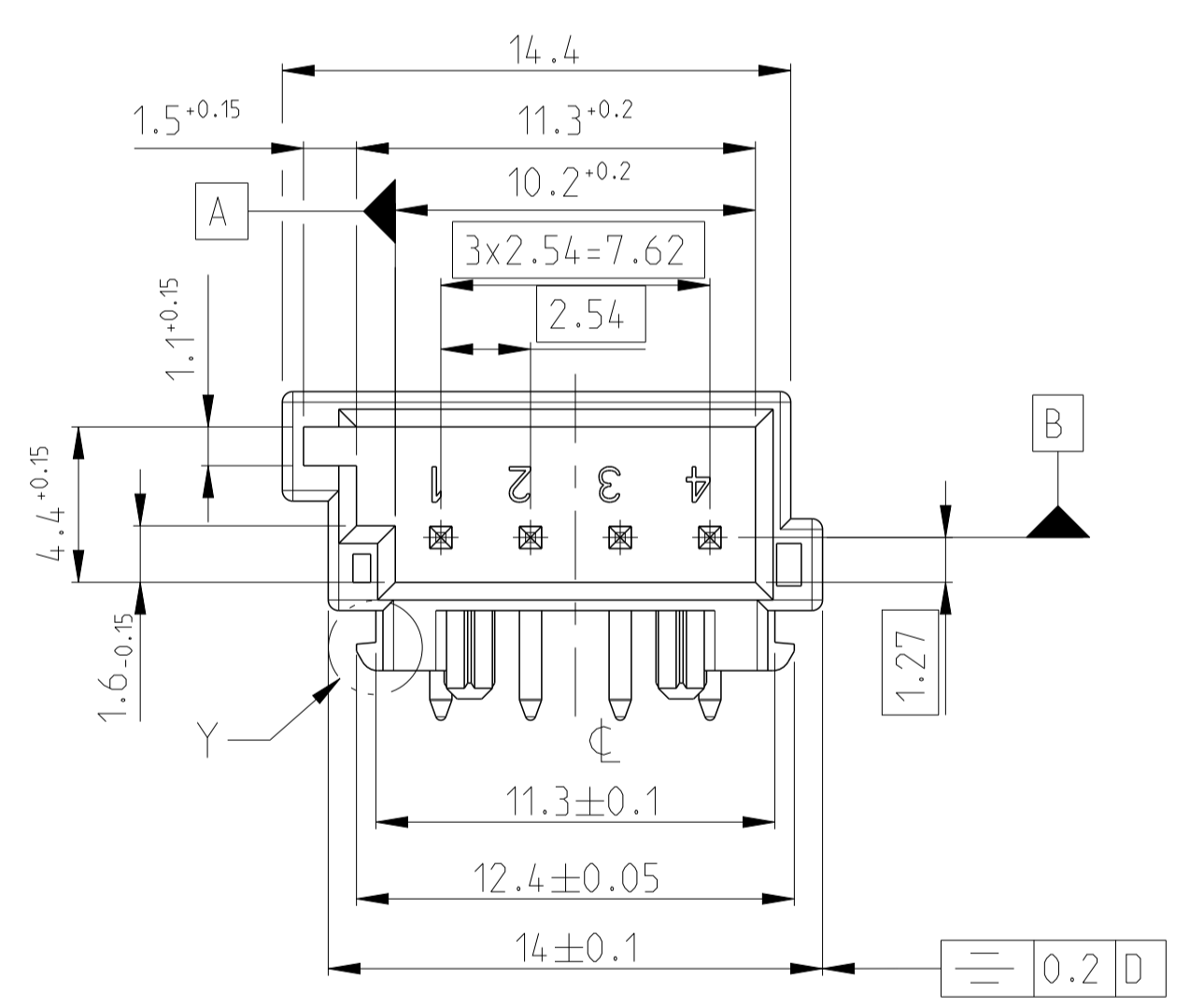
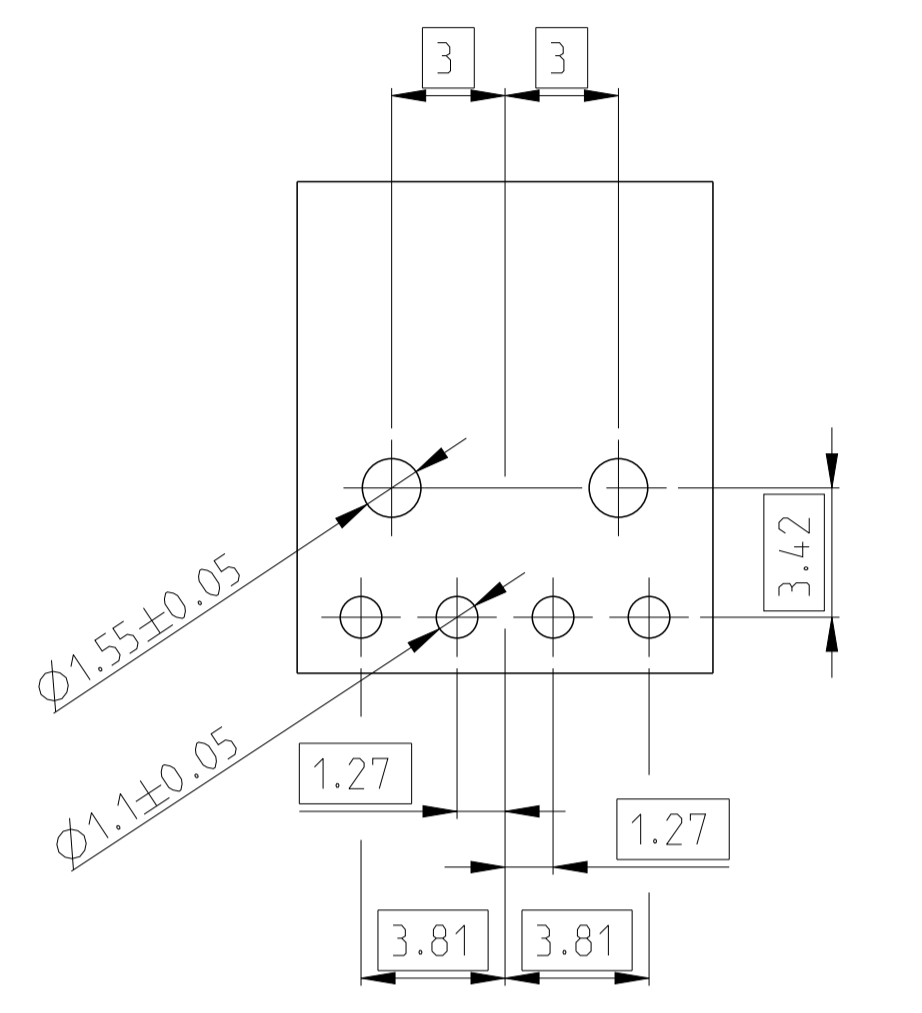


Part number 1-1355897-2 as shown

missing dimension see part number 1-1355897-1

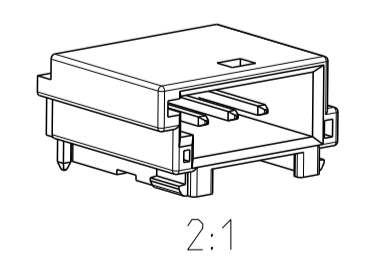


POSSIBLE PCB LAYOUT  
 CUSTOMER IS RESPONSIBLE FOR LAYOUT  
 Mögliches Leiterplattenlayout  
 Kunde ist fuer Layout verantwortlich

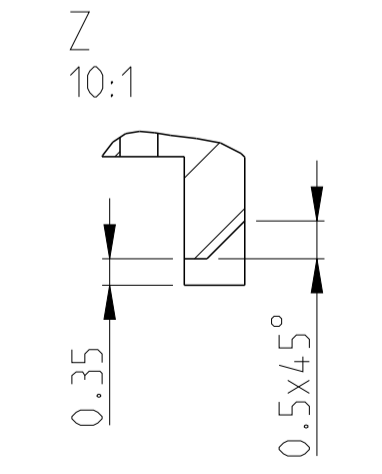
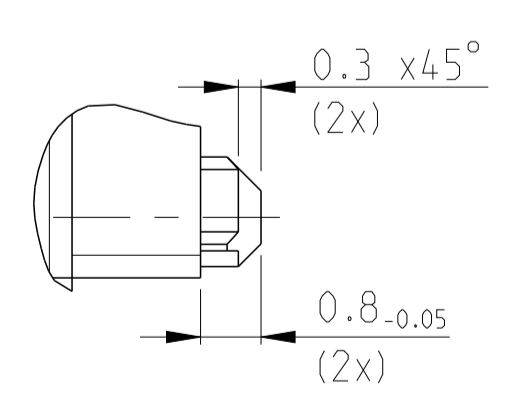
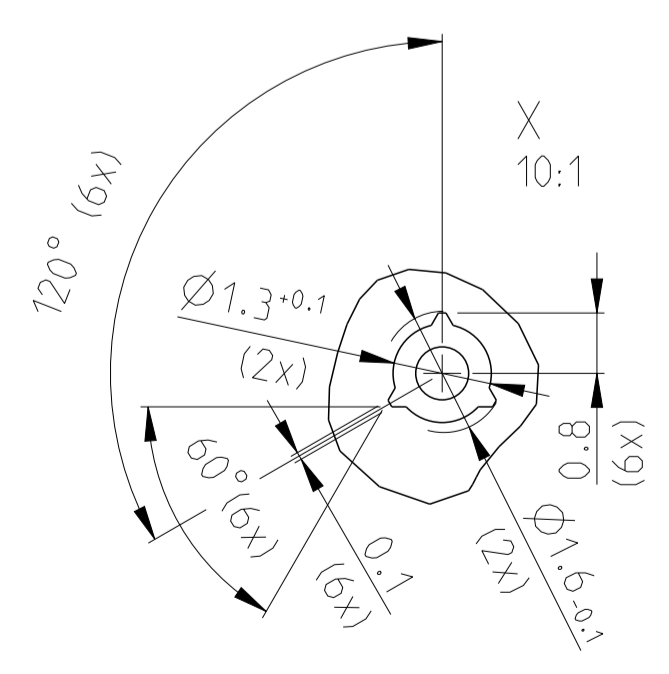
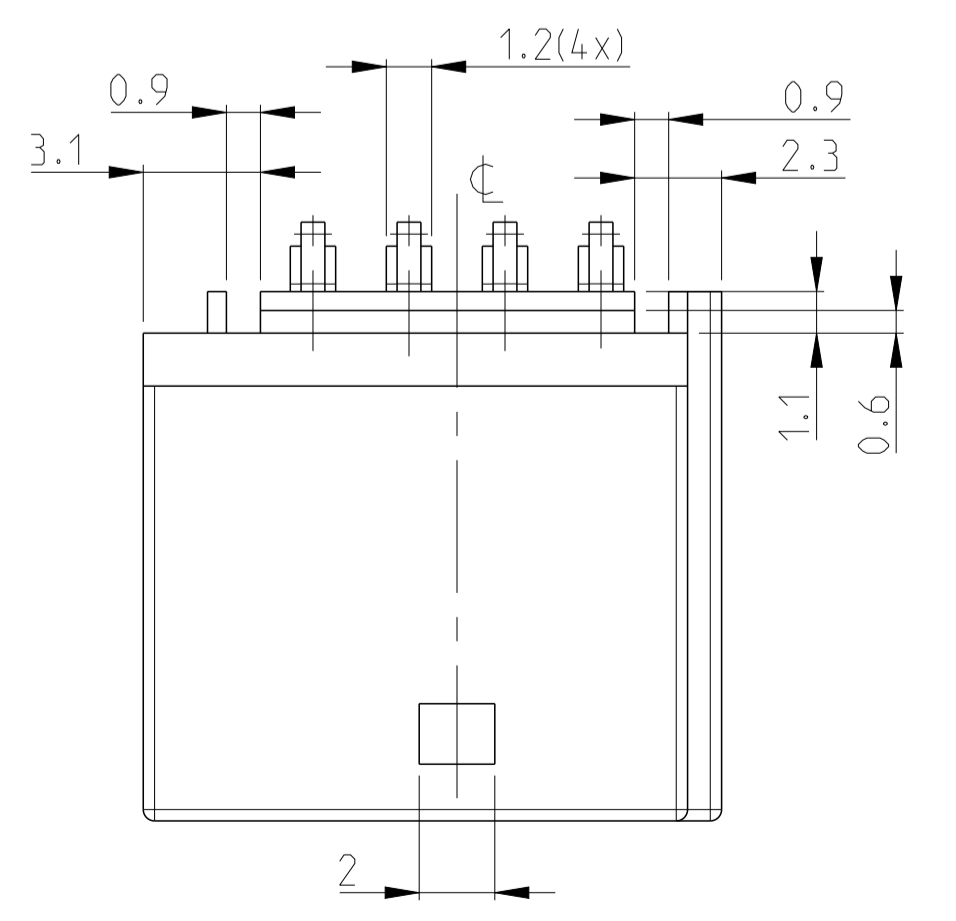
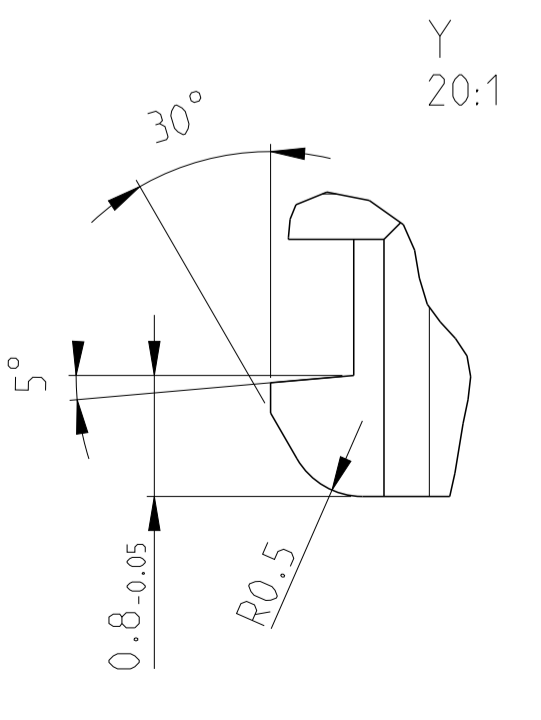


NOTES  
 Bemerkungen

- 1 ALL RADIUS R0.3 EXCEPT AS NOTED  
Nicht bemessene Radien R0.3
- 2 AMP-PART NO.:  
AMP-Teile Nr.:
- 3 AMP-ASSY-NO.:  
AMP-Assy Nr.:
- 4 PRODUCTION-DATE WITH DATE INSERT. Ø3  
Produktionsdatum mit Datumstempel. Ø3
- 5 AREA FOR CAVITY MARKING  
Platz für Nestmarkierung
- 6 REVISION ACCORDING TO PLASTIC PART-REV.  
Änderungsindex gem. B. Kunststoffteil-Rev.
- 7 CAVITY IDENTIFICATION  
Kammerbezeichnung
- 8 PIN RETENTION FORCE MIN. 25N AGAINST STITCHING DIRECTION  
Stiftausdrückkraft min. 25N entgegen der Bestückungsrichtung
- 9 WALL THICKNESS EXCEPT AS NOTED 1mm  
unbemessene Wandstärken 1mm
- 10 MATERIAL IDENTIFICATION  
Materialkennzeichnung
- 11 CONVERSION KIT FOR CODING D IS POSSIBLE  
Umbausatz fuer Kodierung D im Werkzeug vorgesehen
- 12 1-4 µm Sn OVER/ über 1.3-2.5 Ni
- 13 PARTING LINE BURR MAX 0.2mm  
Formtrennprat max. 0.2mm
- 14 SOLDERABILITY ACCORDING DIN IEC 68 PART 2-20  
Lötlbarkeit gem. B. DIN IEC 68 PART 2-20
- 15 PACKAGING: BULK PARTS IN CARDBOARD  
Verpackung: Schüttgut in Karton



CODING A AS SHOWN  
 Kodierung A wie gezeigt



| REV | PCS | DESCRIPTION    | SURFACE       | MATERIAL  | CODING | ITEM NO |
|-----|-----|----------------|---------------|-----------|--------|---------|
| A   | 4   | MODU II PIN    | 12            | CuMg0.1   | A      | 2       |
| A   | 1   | MOS PIN HEADER | BLACK/schwarz | PA66 GF25 | A      | 1       |
| A   | 4   | MODU II PIN    | 12            | CuMg0.1   | A      | 2       |
| A   | 1   | MOS PIN HEADER | BLACK/schwarz | PA66 GF25 | A      | 1       |

|                     |     |             |             |         |          |        |         |
|---------------------|-----|-------------|-------------|---------|----------|--------|---------|
| 1-1355897-2         | 4   | MODU II PIN | 12          | CuMg0.1 | A        | 2      |         |
| 1-1355897-1         | 4   | MODU II PIN | 12          | CuMg0.1 | A        | 2      |         |
| Bestell Nr. PART NO | REV | PCS         | DESCRIPTION | SURFACE | MATERIAL | CODING | ITEM NO |

|             |    |  |               |
|-------------|----|--|---------------|
| DIMENSIONS: | mm | TOLERANCES UNLESS OTHERWISE SPECIFIED: | DIN 16901-140 |
| ANGLES      | °  | FINISH                                 | µm            |

|                  |   |           |                           |
|------------------|---|-----------|---------------------------|
| OWN              | G.Panitz                                    | 09MAR2000 | tyco Electronics AMP GmbH |
| CHK              | H.Schmidt                                   | 06APR2000 | D - 64625 Bensheim        |
| NAME             | MOS PIN HEADER, 4POS. MOS Stifftanne, 4pol. |           |                           |
| PRODUCT SPEC     | -   |           |                           |
| APPLICATION SPEC | -   |           |                           |
| WEIGHT           | -   | SCALE     | 5:1                       |
| CUSTOMER DRAWING | A1  | SHEET     | 1 OF 1                    |

## X-ON Electronics

Largest Supplier of Electrical and Electronic Components

*Click to view similar products for [Automotive Connectors](#) category:*

*Click to view products by [TE Connectivity](#) manufacturer:*

Other Similar products are found below :

[003-018-000](#) [60403001](#) [60993906-B](#) [M902-2131](#) [M902-2161](#) [72.330.1035.1](#) [73.353.4028.0](#) [F119300-B](#) [F166900](#) [F258300-B](#) [F358300-B](#)  
[F407400](#) [F444110](#) [F487000](#) [F509500B-B](#) [827153-1](#) [8N1515-32-24P](#) [9-1326729-8](#) [925474-1](#) [928905-1](#) [964562-4](#) [968782-1](#) [GT17SA-8DS-](#)  
[HU](#) [98891-1012](#) [98947-1016](#) [12004147](#) [12004475-L](#) [12010290](#) [12010309-B](#) [12015454](#) [12020219-B](#) [12020308](#) [12041318-B](#) [12052225-L](#)  
[12052466](#) [12059125](#) [12064869](#) [12004327-B](#) [12010503-B](#) [12015308](#) [12015384](#) [12015909](#) [1-21030-1](#) [12041254](#) [12041318](#) [12047946-B](#)  
[12047957](#) [12047957-L](#) [12059473](#) [12066261](#)