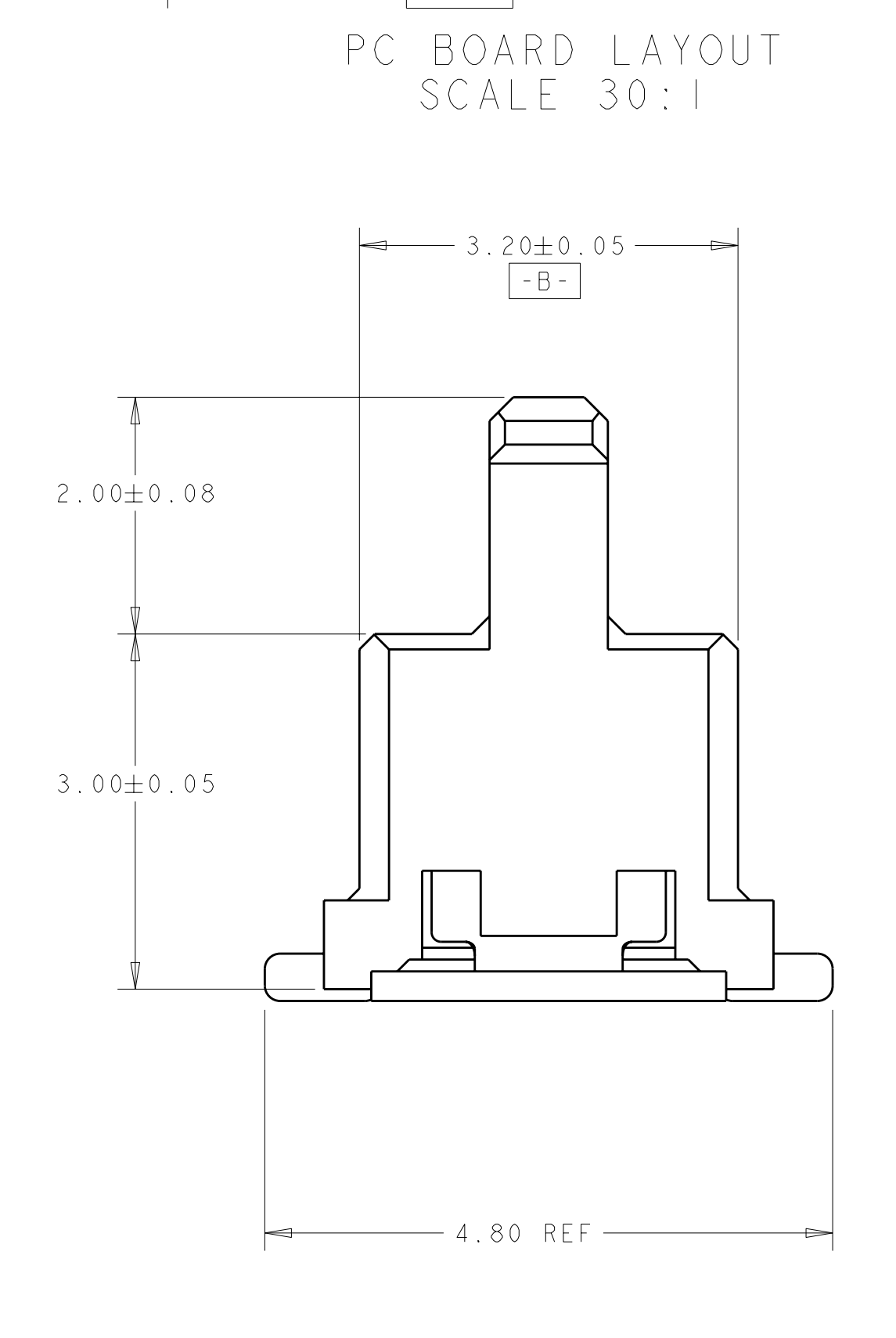
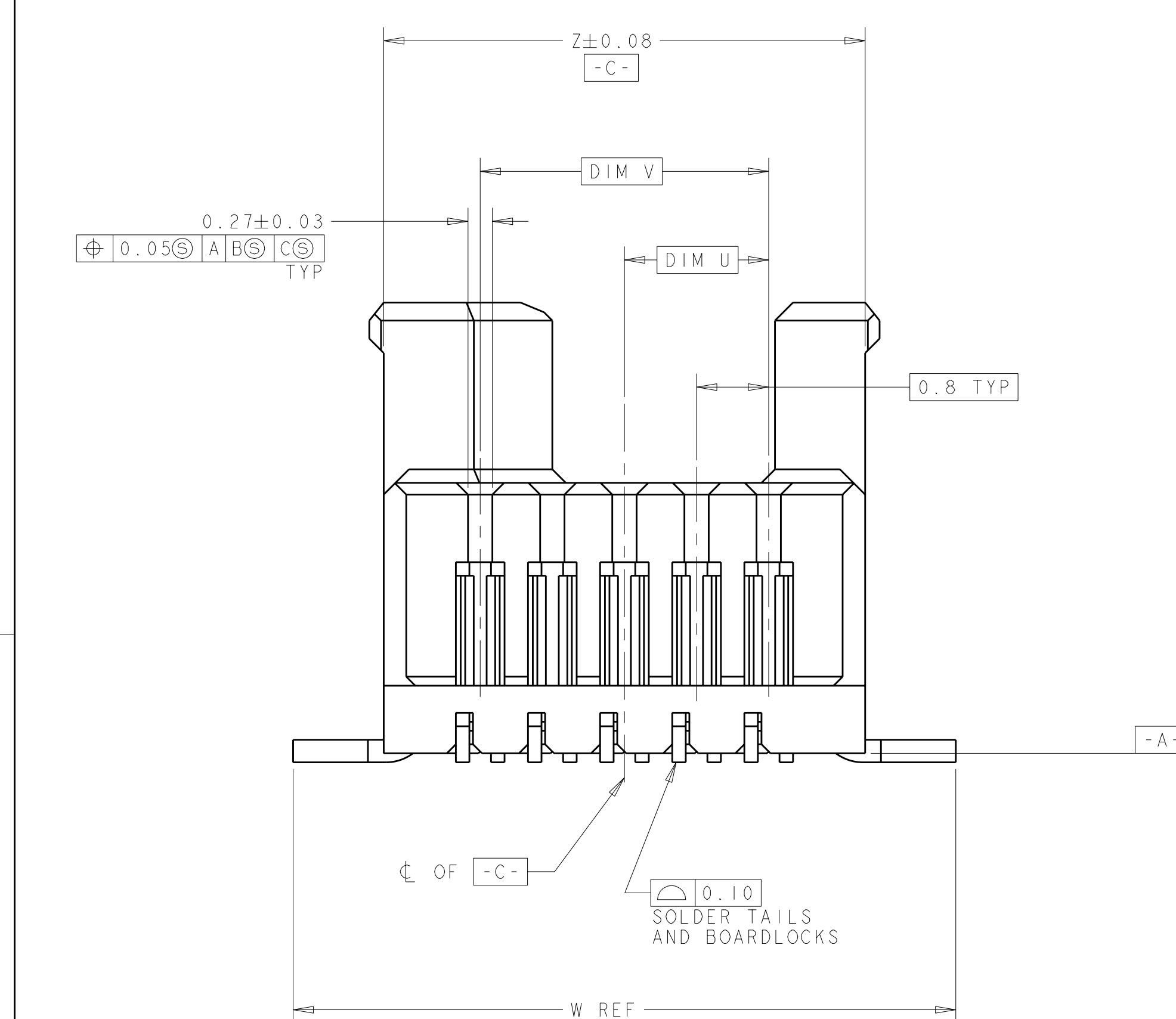
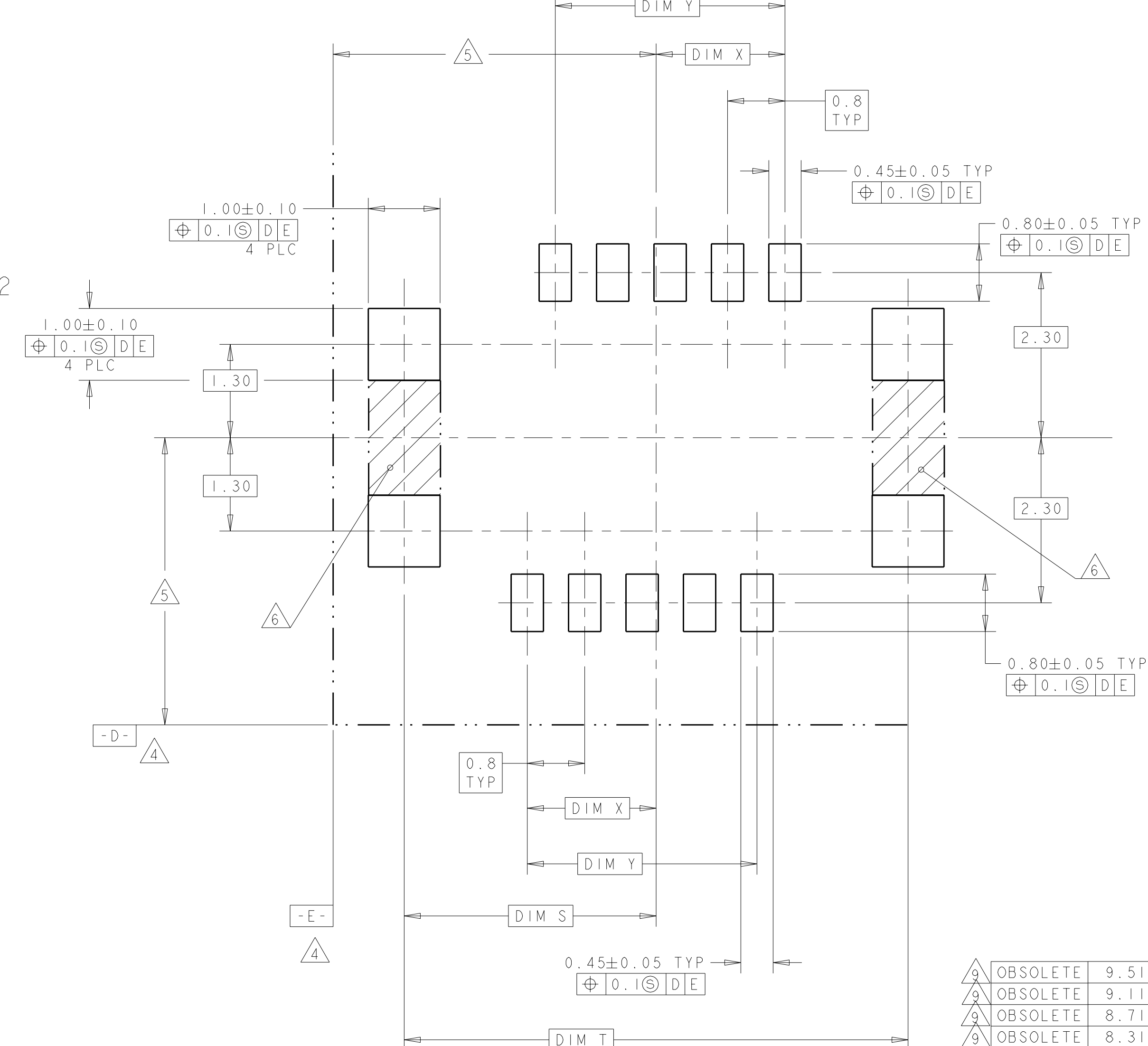
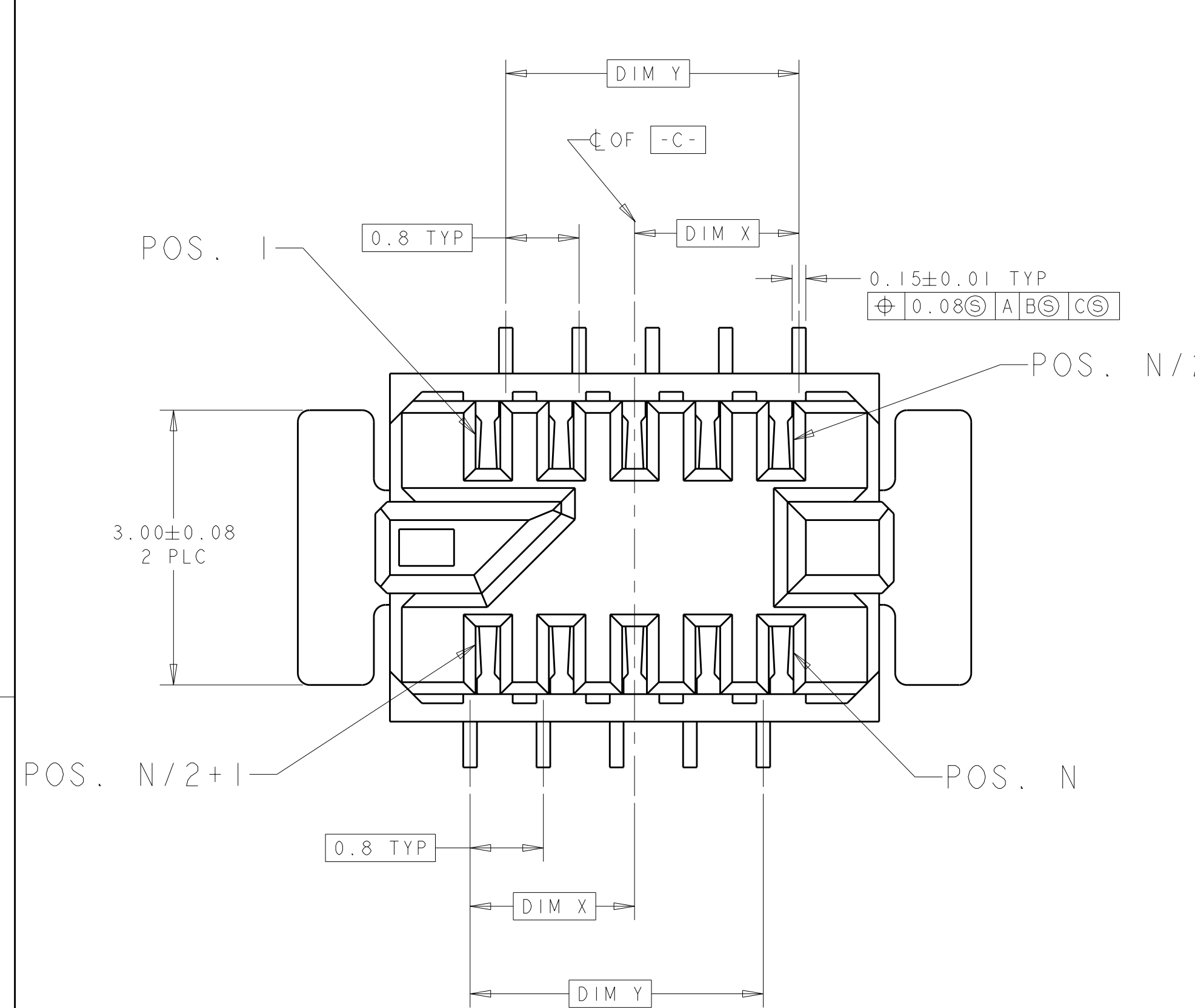


LOC	DIST	REV	DATE	BY	APPD
AD	00	B2	23MAR2011	RK	HMR



- △ HOUSING MATERIAL; UL94 V-0 RATED LCP, COLOR: NATURAL. CONTACT MATERIAL; PHOS BRONZE BOARDLOCK MATERIAL; BRASS
- △ CONTACT PLATING; 0.76 μm MIN GOLD IN MATING AREA 0.13 μm - 0.20 μm GOLD IN SOLDER AREA. BOTH OVER 1.27 μm MIN NICKEL ON ENTIRE STOCK.
- △ BOARDLOCK PLATING; 3.8 μm MIN BRIGHT TIN/LEAD ON ENTIRE STOCK OVER 1.27 μm MIN NICKEL ON ENTIRE STOCK.
- △ DATUMS ESTABLISHED BY CUSTOMER.
- △ BASIC DIMENSIONS ESTABLISHED BY CUSTOMER.
- △ NO TRACES ON EXTERNAL BOARD LAYER IN THIS AREA.
- △ BOARDLOCK PLATING; 3.8 μm MIN TIN ON ENTIRE STOCK OVER 1.27 μm MIN NICKEL ON ENTIRE STOCK
- △ ROHS 2002/95/EC COMPLIANT.
- △ OBSOLETE PARTS: OBSOLETE CIS STREAMLINING PER D.RENAUD/D.SINISI

NO. OF POS.	PART NUMBER	DIM S	DIM T	DIM U	DIM V	W REF	DIM X	DIM Y	Z	FINISH
40	6-1375870-8	9.51	19.02	7.6	15.2	19.35	7.795	15.2	17.34	△ 2 △ 7 △ 8
38	6-1375870-7	9.11	18.22	7.2	14.4	18.55	7.395	14.4	16.54	
36	6-1375870-6	8.71	17.42	6.8	13.6	17.75	6.995	13.6	15.74	
34	6-1375870-5	8.31	16.62	6.4	12.8	16.95	6.595	12.8	14.94	
32	6-1375870-4	7.91	15.82	6	12	16.15	6.195	12	14.14	
30	6-1375870-3	7.51	15.02	5.6	11.2	15.35	5.795	11.2	13.34	
28	6-1375870-2	7.11	14.22	5.2	10.4	14.55	5.395	10.4	12.54	
26	6-1375870-1	6.71	13.42	4.8	9.6	13.75	4.995	9.6	11.74	
24	6-1375870-0	6.31	12.62	4.4	8.8	12.95	4.595	8.8	10.94	
22	5-1375870-9	5.91	11.82	4	8	12.15	4.195	8	10.14	
20	5-1375870-8	5.51	11.02	3.6	7.2	11.35	3.795	7.2	9.34	
18	5-1375870-7	5.11	10.22	3.2	6.4	10.55	3.395	6.4	8.54	
16	5-1375870-6	4.71	9.42	2.8	5.6	9.75	2.995	5.6	7.74	
14	5-1375870-5	4.31	8.62	2.4	4.8	8.95	2.595	4.8	6.94	
12	5-1375870-4	3.91	7.82	2	4	8.15	2.195	4	6.14	
10	5-1375870-3	3.51	7.02	1.6	3.2	7.35	1.795	3.2	5.34	
8	5-1375870-2	3.11	6.22	1.2	2.4	6.55	1.395	2.4	4.54	
6	5-1375870-1	2.71	5.42	0.8	1.6	5.75	0.995	1.6	3.74	
40	1-1375870-8	9.51	19.02	7.6	15.2	19.35	7.795	15.2	17.34	
38	1-1375870-7	9.11	18.22	7.2	14.4	18.55	7.395	14.4	16.54	
36	1-1375870-6	8.71	17.42	6.8	13.6	17.75	6.995	13.6	15.74	
34	1-1375870-5	8.31	16.62	6.4	12.8	16.95	6.595	12.8	14.94	
32	1-1375870-4	7.91	15.82	6	12	16.15	6.195	12	14.14	
30	1-1375870-3	7.51	15.02	5.6	11.2	15.35	5.795	11.2	13.34	
28	1-1375870-2	7.11	14.22	5.2	10.4	14.55	5.395	10.4	12.54	
26	1-1375870-1	6.71	13.42	4.8	9.6	13.75	4.995	9.6	11.74	
24	1-1375870-0	6.31	12.62	4.4	8.8	12.95	4.595	8.8	10.94	
22	1375870-9	5.91	11.82	4	8	12.15	4.195	8	10.14	△ 2 △ 3
20	1375870-8	5.51	11.02	3.6	7.2	11.35	3.795	7.2	9.34	
18	1375870-7	5.11	10.22	3.2	6.4	10.55	3.395	6.4	8.54	
16	1375870-6	4.71	9.42	2.8	5.6	9.75	2.995	5.6	7.74	
14	1375870-5	4.31	8.62	2.4	4.8	8.95	2.595	4.8	6.94	
12	1375870-4	3.91	7.82	2	4	8.15	2.195	4	6.14	
10	1375870-3	3.51	7.02	1.6	3.2	7.35	1.795	3.2	5.34	
8	1375870-2	3.11	6.22	1.2	2.4	6.55	1.395	2.4	4.54	
6	1375870-1	2.71	5.42	0.8	1.6	5.75	0.995	1.6	3.74	

THIS DRAWING IS A CONTROLLED DOCUMENT.

DIMENSIONS: mm

TOLERANCES UNLESS OTHERWISE SPECIFIED:

9 PLC	±
5 PLC	±
4 PLC	±
ANGLES	±

MATERIAL: SEE TABLE

FINISH: SEE TABLE

THIS DRAWING IS A CONTROLLED DOCUMENT.

DRAWN BY: W. DAVIS

CHECKED BY: W. DAVIS

DATE: 07JUN2000

DATE: 07JUN2000

NAME: W. DAVIS

PRODUCT SPEC: 108-1955

APPLICATION SPEC: 114-13051

WEIGHT: -

CUSTOMER DRAWING

NO. OF POS.: N

PART NUMBER: 1375870-8

SCALE: 20:1

SHEET: 1 OF 1

REV: B2

STE TE Connectivity

AMPMODU MICRO INTERCONNECT RECEPTACLE ASSEMBLY

SIZE: A100779C=1375870

## X-ON Electronics

Largest Supplier of Electrical and Electronic Components

*Click to view similar products for [Headers & Wire Housings](#) category:*

*Click to view products by [TE Connectivity](#) manufacturer:*

Other Similar products are found below :

[892-18-020-10-001101](#) [58102-G61-06LF](#) [582553-1](#) [0009485154](#) [009176003701906](#) [0050291907](#) [LY20-4P-DT1-P1E-BR](#) [02.125.8002.8](#)  
[609-3404](#) [61062-3](#) [61082-181009](#) [622-3653LF](#) [63453-116](#) [636-1030](#) [636-1427](#) [636-3427](#) [636-4007](#) [641938-9](#) [641991-4](#) [644827-2](#) [65817-](#)  
[010LF](#) [65817-015LF](#) [65863-015LF](#) [66207-023LF](#) [67095-007LF](#) [67601157](#) [68645-018](#) [68648-049](#) [70.362.1628.0](#) [70-4210](#) [70-4226B](#) [70-](#)  
[4853B](#) [707-5020](#) [707-5028](#) [71.350.2428.0](#) [71918-208LF](#) [71961-016LF](#) [733-134](#) [733-162](#) [754199-000](#) [760-3052](#) [787-8014-00](#) [79531-3000](#)  
[FCN-360C032-B](#) [FCN-367T-T012/H](#) [FCN-723D010/2](#) [80.063.4001.1](#) [800-90-001-10-001000](#) [800-90-010-10-002000](#) [801-43-002-10-013000](#)