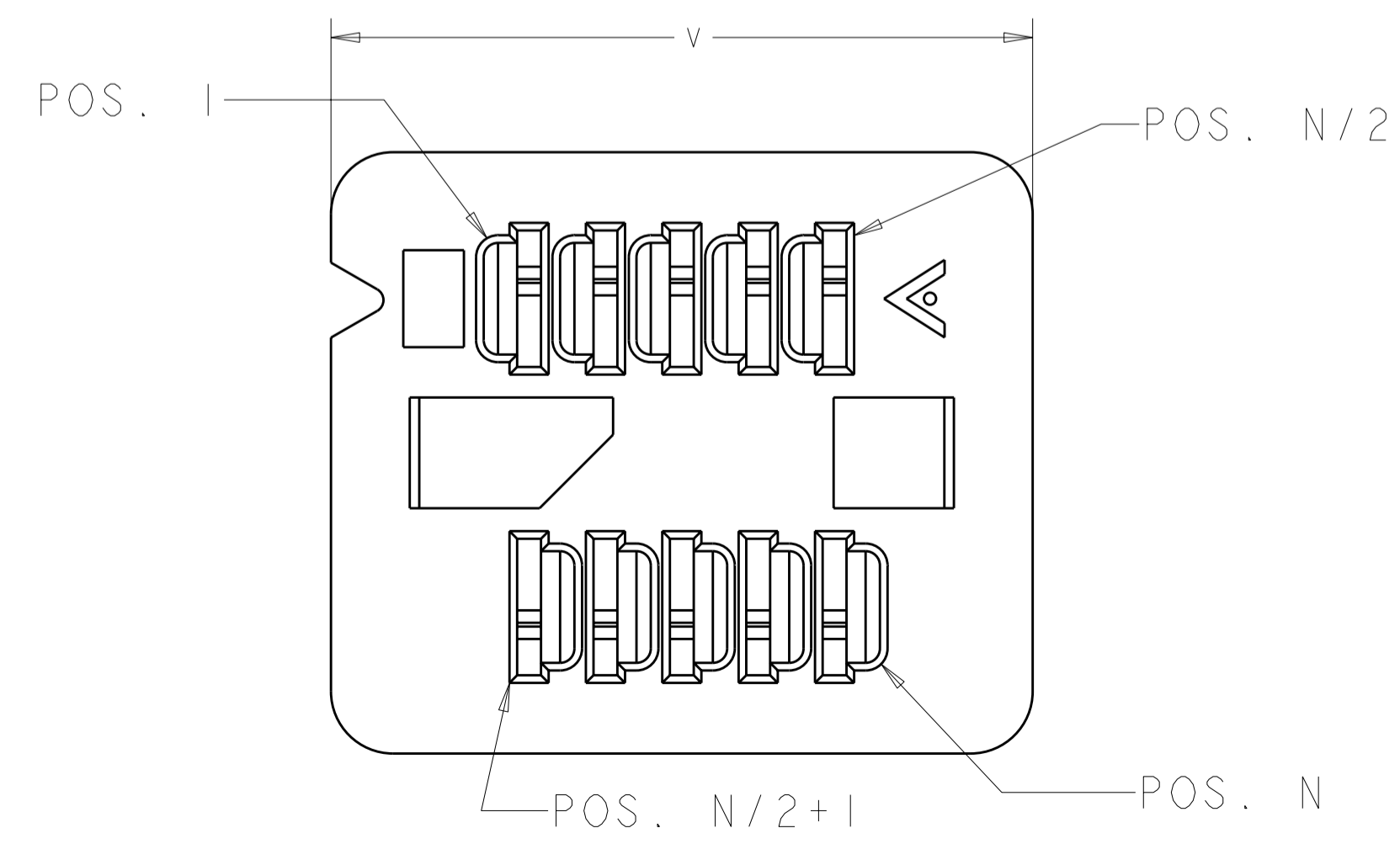
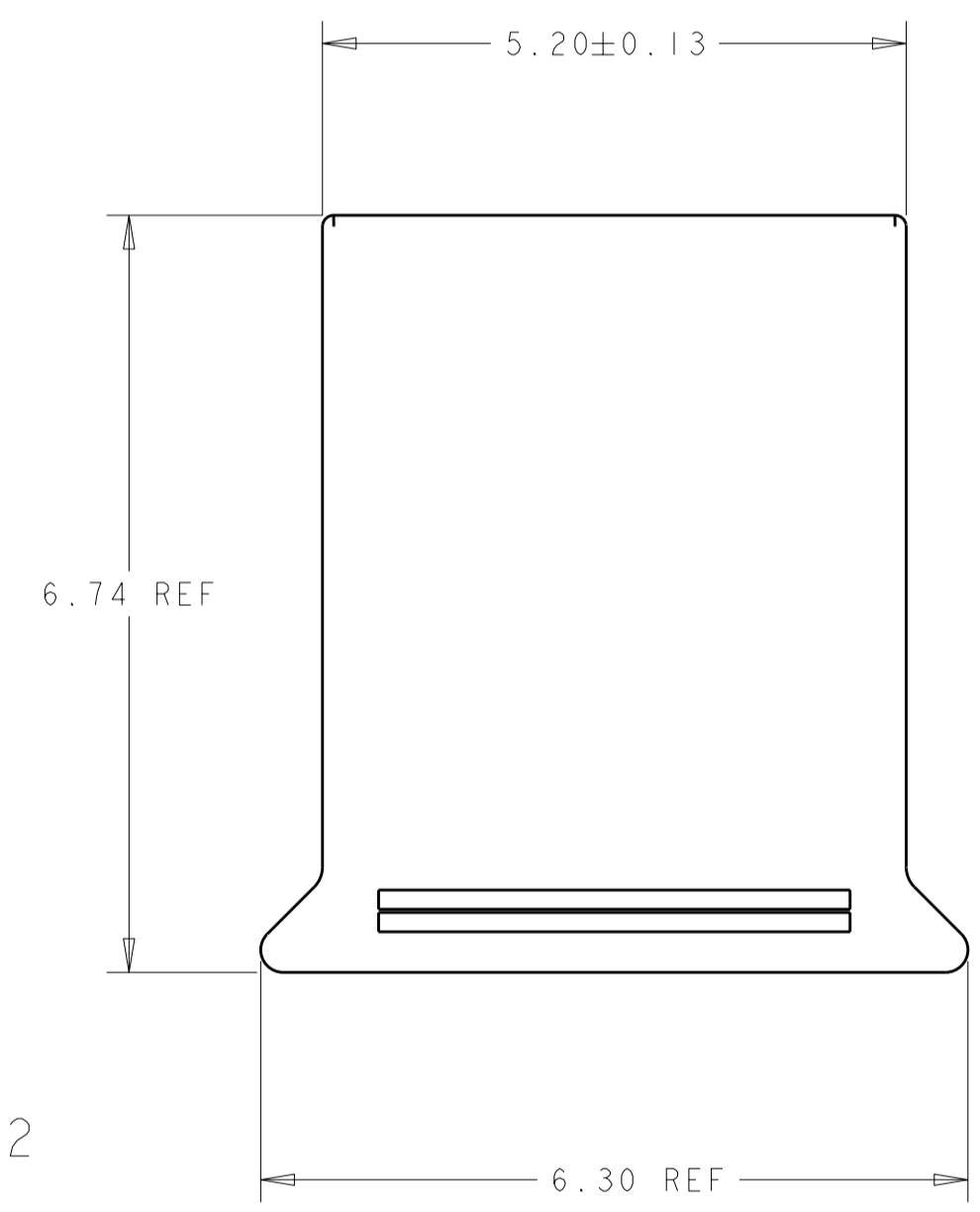
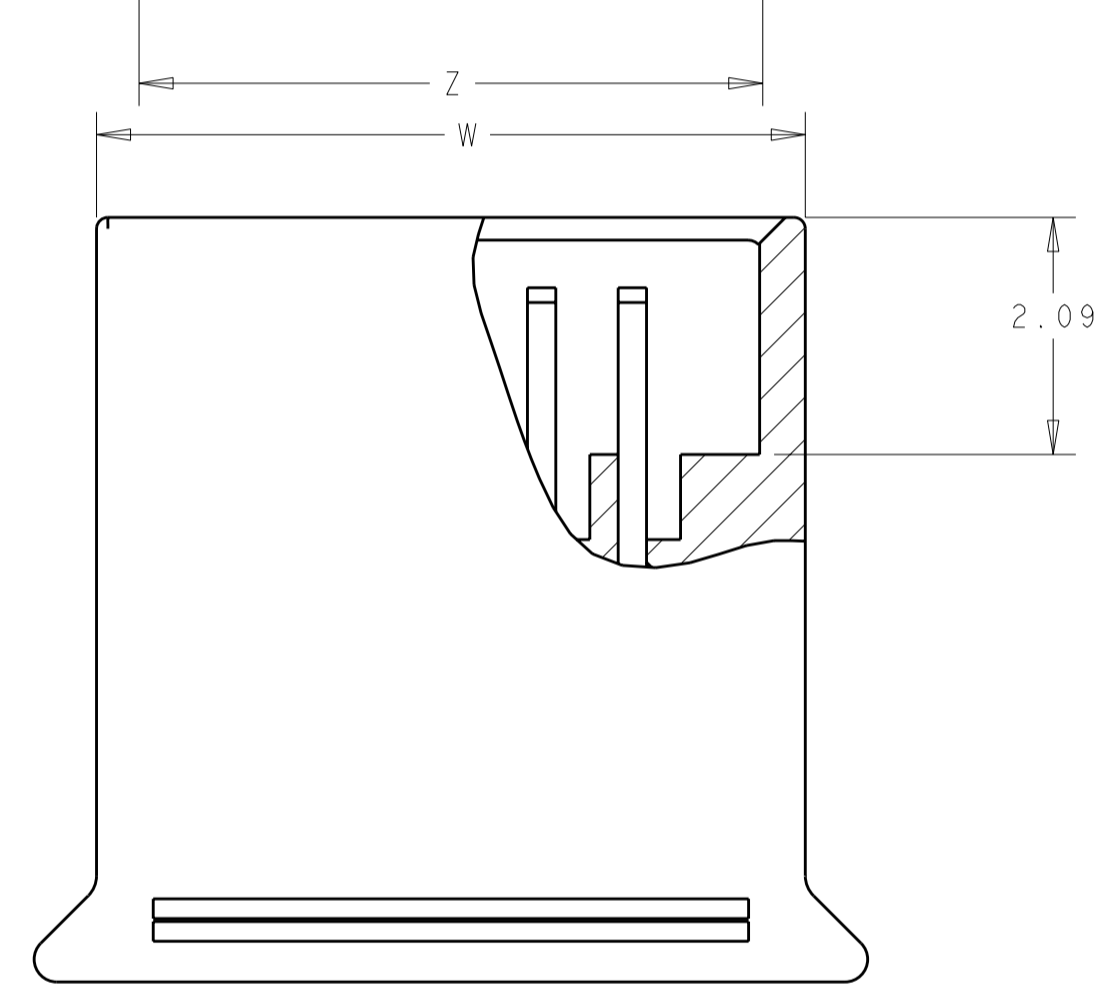
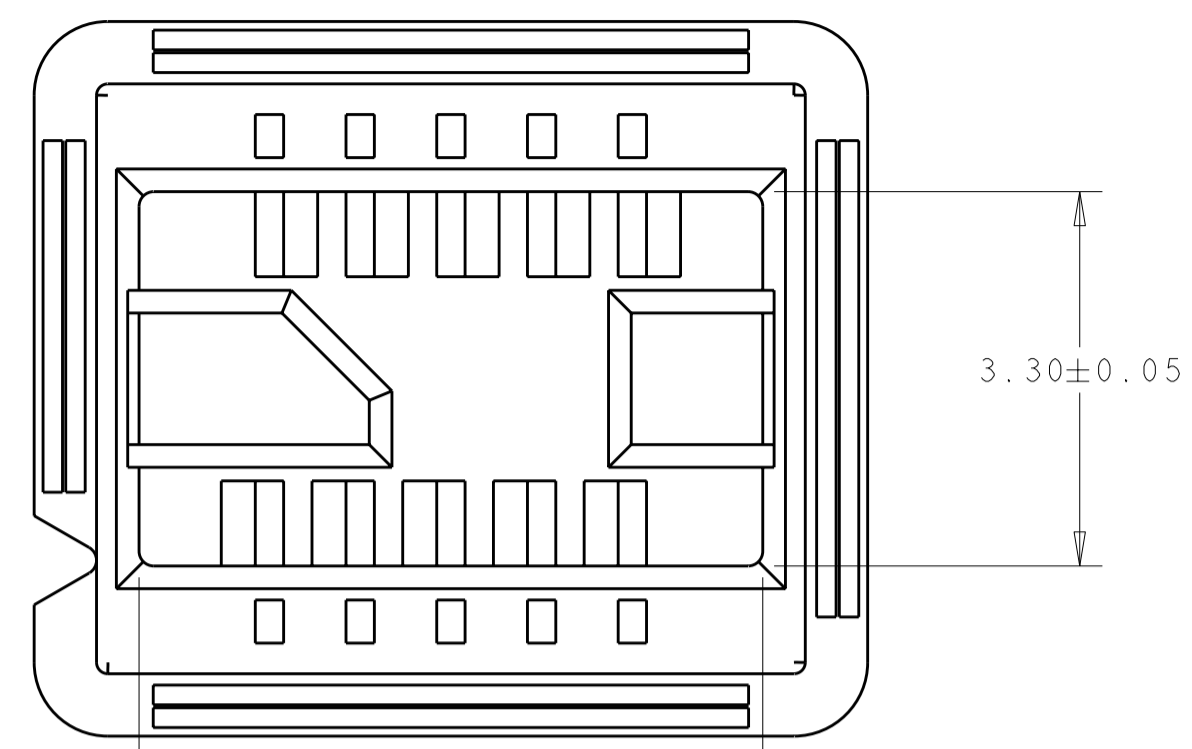


THIS DRAWING IS UNPUBLISHED. RELEASED FOR PUBLICATION 20  
 © COPYRIGHT 20 BY - ALL RIGHTS RESERVED.

| LOC |     | DIST                      |           | REVISIONS |      |  |  |
|-----|-----|---------------------------|-----------|-----------|------|--|--|
| P   | LTR | DESCRIPTION               | DATE      | DWN       | APVD |  |  |
|     | A2  | REVISED PER ECO-11-005140 | 23MAR2011 | RK        | HMR  |  |  |
|     |     |                           |           |           |      |  |  |
|     |     |                           |           |           |      |  |  |



- 1 UL94 V-0 RATED LCP, COLOR: NATURAL.
- 2 OBSOLETE PARTS: OBSOLETE CIS STREAMLINING PER D.RENAUD/D.SINISI

|            | V     | W     | Z     | NO. OF POS | PART NUMBER |
|------------|-------|-------|-------|------------|-------------|
| 2 OBSOLETE | 19.35 | 18.25 | 17.50 | 40         | 1-1375875-8 |
| 2 OBSOLETE | 18.55 | 17.45 | 16.70 | 38         | 1-1375875-7 |
| 2 OBSOLETE | 17.75 | 16.65 | 15.90 | 36         | 1-1375875-6 |
| 2 OBSOLETE | 16.95 | 15.85 | 15.10 | 34         | 1-1375875-5 |
| 2 OBSOLETE | 16.15 | 15.05 | 14.30 | 32         | 1-1375875-4 |
| 2 OBSOLETE | 15.35 | 14.25 | 13.50 | 30         | 1-1375875-3 |
| 2 OBSOLETE | 14.55 | 13.45 | 12.70 | 28         | 1-1375875-2 |
| 2 OBSOLETE | 13.75 | 12.65 | 11.90 | 26         | 1-1375875-1 |
| 2 OBSOLETE | 12.95 | 11.85 | 11.10 | 24         | 1-1375875-0 |
| 2 OBSOLETE | 12.15 | 11.05 | 10.30 | 22         | 1375875-9   |
|            | 11.35 | 10.25 | 9.50  | 20         | 1375875-8   |
|            | 10.55 | 9.45  | 8.70  | 18         | 1375875-7   |
|            | 9.75  | 8.65  | 7.90  | 16         | 1375875-6   |
|            | 8.95  | 7.85  | 7.10  | 14         | 1375875-5   |
|            | 8.15  | 7.05  | 6.30  | 12         | 1375875-4   |
|            | 7.35  | 6.25  | 5.50  | 10         | 1375875-3   |
|            | 6.55  | 5.45  | 4.70  | 8          | 1375875-2   |
|            | 5.75  | 4.65  | 3.90  | 6          | 1375875-1   |

THIS DRAWING IS A CONTROLLED DOCUMENT.

|             |   |                  |           |   |           |            |               |
|-------------|---|------------------|-----------|---|-----------|------------|---------------|
| DIMENSIONS: | TOLERANCES UNLESS OTHERWISE SPECIFIED:  | DWN              | 03JUN2000 | TE Connectivity<br>AMPMODU MICRO INTERCONNECT<br>PLUG HOUSING |           |            |               |
| mm          | 0 PLC ±<br>1 PLC ±<br>2 PLC ±0.08<br>3 PLC ±<br>4 PLC ±<br>ANGLES ±<br>FINISH | CHK              | 03JUN2000 |   |           |            |               |
|             |   | APVD             | -         |   |           |            |               |
|             |   | PRODUCT SPEC     | 108-1955  |   |           |            |               |
| MATERIAL    |   | APPLICATION SPEC | 114-13051 | SIZE  | CAGE CODE | DRAWING NO | RESTRICTED TO |
|             |   | WEIGHT           | -         | A2  | 0779      | C-1375875  | -             |
|             |   | CUSTOMER DRAWING |           | SCALE   | 15:1      | SHEET      | 1 OF 1        |
|             |   |                  |           | REV   | A2        |            |               |

## X-ON Electronics

Largest Supplier of Electrical and Electronic Components

*Click to view similar products for [Headers & Wire Housings](#) category:*

*Click to view products by [TE Connectivity](#) manufacturer:*

Other Similar products are found below :

[892-18-020-10-001101](#) [58102-G61-06LF](#) [582553-1](#) [0009485154](#) [009176003701906](#) [0050291907](#) [LY20-4P-DT1-P1E-BR](#) [02.125.8002.8](#)  
[609-3404](#) [61062-3](#) [61082-181009](#) [622-3653LF](#) [63453-116](#) [636-1030](#) [636-1427](#) [636-3427](#) [636-4007](#) [641938-9](#) [641991-4](#) [644827-2](#) [65817-010LF](#) [65817-015LF](#) [65863-015LF](#) [66207-023LF](#) [67095-007LF](#) [67601157](#) [68645-018](#) [68648-049](#) [70.362.1628.0](#) [70-4210](#) [70-4226B](#) [70-4853B](#) [707-5020](#) [707-5028](#) [71.350.2428.0](#) [71918-208LF](#) [71961-016LF](#) [733-134](#) [733-162](#) [754199-000](#) [760-3052](#) [787-8014-00](#) [79531-3000](#)  
[FCN-360C032-B](#) [FCN-367T-T012/H](#) [FCN-723D010/2](#) [80.063.4001.1](#) [800-90-001-10-001000](#) [800-90-010-10-002000](#) [801-43-002-10-013000](#)