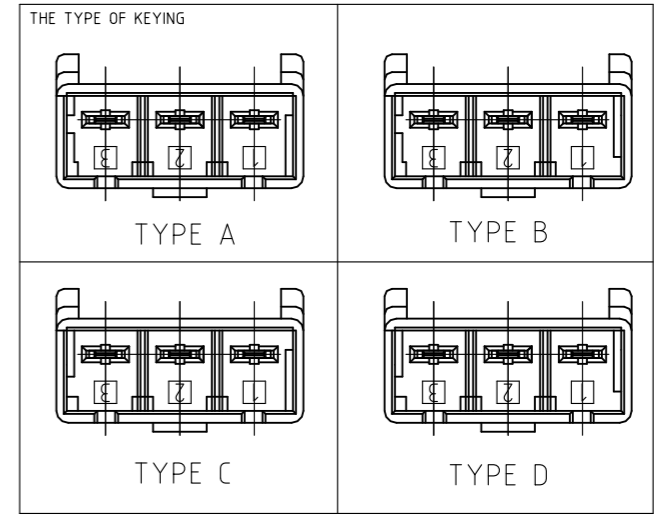
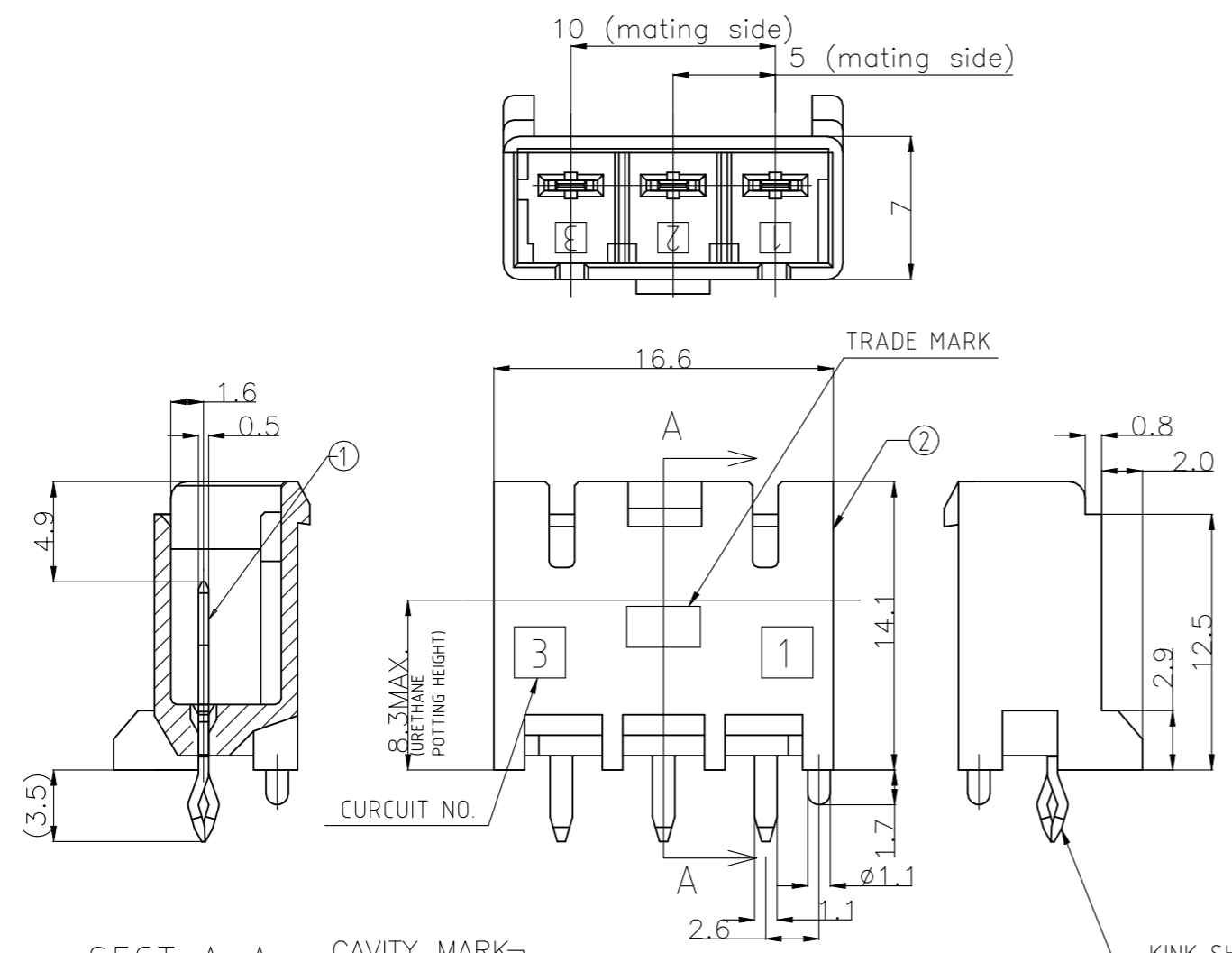
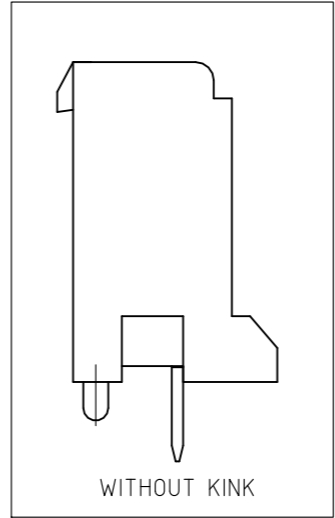


THIS DRAWING IS UNPUBLISHED. RELEASED FOR PUBLICATION  
 © COPYRIGHT - Tyco Electronics JAPAN G.K. ALL RIGHTS RESERVED.

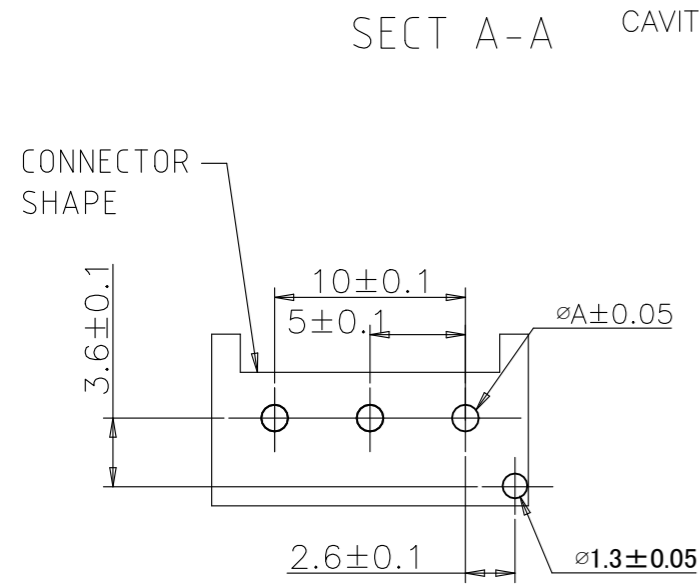
P	LTR	DESCRIPTION	DATE	DWN	APVD
	H2	REVISED PER ECR-21-101026	23MAR2021	SK	DZ



NO.	NAME	MATERIAL
②	HEADER HOUSING	6/6 NYLON GRASS FILLED/ NYLON 6
①	TAB	COPPER ALLOY TIN PLATED



⑦	⑥	⑤	⑥	⑥	⑥	⑥	⑥	⑥	⑥	⑥	⑥	⑥	⑥	⑥	⑥	⑥
	1376389-1	WITH KINK	TYPE A	NATURAL	3Pos	1376383-6										
	1376389-5	WITH KINK	TYPE A	NATURAL	3Pos	1376383-5										
	3-1376389-4	WITHOUT KINK	TYPE D	YELLOW	3Pos	8-1376383-4										
	2-1376389-3	WITHOUT KINK	TYPE C	BLUE	3Pos	7-1376383-3										
	1-1376389-2	WITHOUT KINK	TYPE B	RED	3Pos	6-1376383-2										
	1376389-1	WITHOUT KINK	TYPE A	NATURAL	3Pos	5-1376383-1										
	3-1376389-4	WITH KINK	TYPE D	YELLOW	3Pos	3-1376383-4										
	2-1376389-3	WITH KINK	TYPE C	BLUE	3Pos	2-1376383-3										
	1-1376389-2	WITH KINK	TYPE B	RED	3Pos	1-1376383-2										
	1376389-1	WITH KINK	TYPE A	NATURAL	3Pos	1376383-1										



- ① RECOMMENDED P.C.B LAY OUT
- ② APPLICABLE P.C.B. THICKNESS:1.6
- ③ MATING CONN. P/N PLUG HOUSING :SEE TABLE
- ④ PARTS COMPLY WITH GLOW WIRE REQUIREMENT FOR PARTS OF NON-METALLIC MATERIAL SUPPORTING A CURRENT-CARRYING CONNECTION DETAILED IN IEC 60335-1, SECTION 30 (GWT).
- ⑤ NYLON 6, GWT, V-2.
- ⑥ NYLON 66, GWT, V-0. PRELIMINARY-HIGH CURRENT RATING VERSION.
- ⑦

	DIM A
PUNCHING	1.25
DRILLING	1.4

① RECOMMENDED PCB HOLES

THIS DRAWING IS A CONTROLLED DOCUMENT.

DIMENSIONS:	TOLERANCES UNLESS OTHERWISE SPECIFIED:
mm	
0 PLC	± 0.2
1 PLC	±
2 PLC	±
3 PLC	±
4 PLC	±
ANGLES	±
FINISH	-

DWN	A.OISHI	28AUG'00
CHK	Y.KASHIWA	28AUG'00
APVD	Y.KASHIWA	28AUG'00
PRODUCT SPEC	108-5699	
APPLICATION SPEC	114-5292	
WEIGHT	-	

**STE** TE Connectivity

5.0 POWER KEY CONNECTOR  
3P HEADER ASSEMBLY

SIZE	CAGE CODE	DRAWING NO	RESTRICTED TO
A3	00779	C-1376383	-

CUSTOMER DRAWING SCALE 3:1 SHEET 1 OF 1 REV H2

## X-ON Electronics

Largest Supplier of Electrical and Electronic Components

*Click to view similar products for [Power to the Board](#) category:*

*Click to view products by [TE Connectivity](#) manufacturer:*

Other Similar products are found below :

[6450171-4](#) [6450552-7](#) [6600323-8](#) [6643429-1](#) [6646040-2](#) [6651939-1](#) [6766604-1](#) [120959-1](#) [1393557-2](#) [1393532-2](#) [1393532-3](#) [1393532-4](#)  
[1393557-1](#) [1600812-5](#) [1-6450861-2](#) [1744132-7](#) [1761122-1](#) [1766250-1](#) [1892109-1](#) [2-6450860-5](#) [2-6450870-0](#) [1-6450161-4](#) [1-6450850-6](#) [1-6450869-6](#) [1645526-2](#) [1-6600130-0](#) [2005243-2](#) [377-0020-11130](#) [TE34-12-16P-F0](#) [51700-10201602AALF](#) [5-6450830-6](#) [5646956-4](#) [377-0080-11131A](#) [4-6450830-9](#) [4-6600333-3](#) [10125416-4050LF](#) [10130248-005LF](#) [6600320-3](#) [3-6450860-5](#) [1888123-2](#) [6450166-1](#) [6643978-1](#)  
[6766605-1](#) [701-15-02109](#) [N11444](#) [6651938-1](#) [6450810-7](#) [46437-1112](#) [1-1589677-8](#) [5646956-5](#)