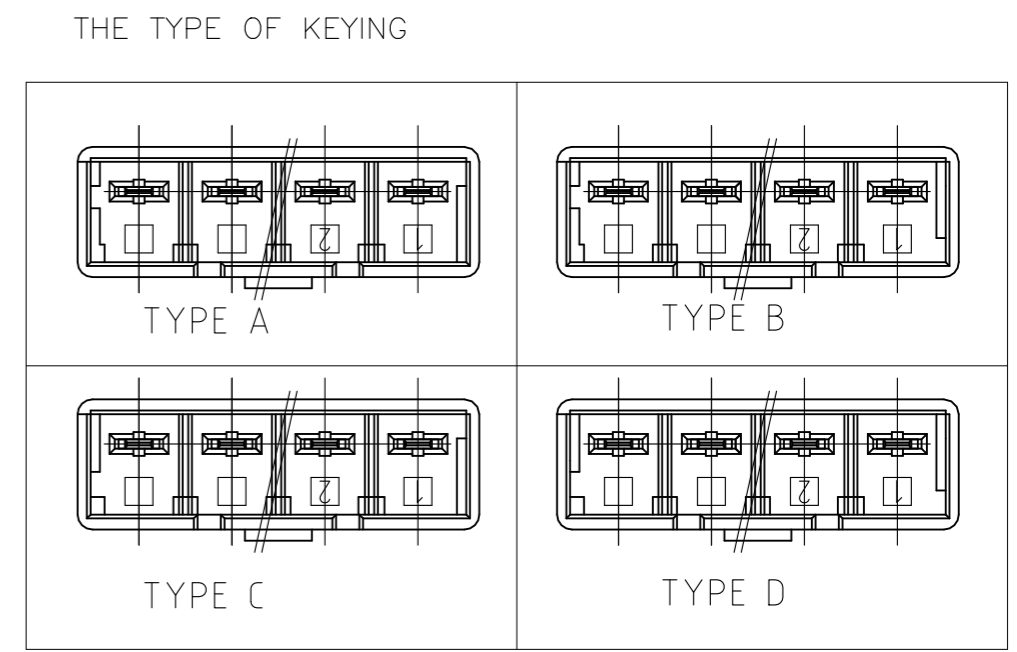
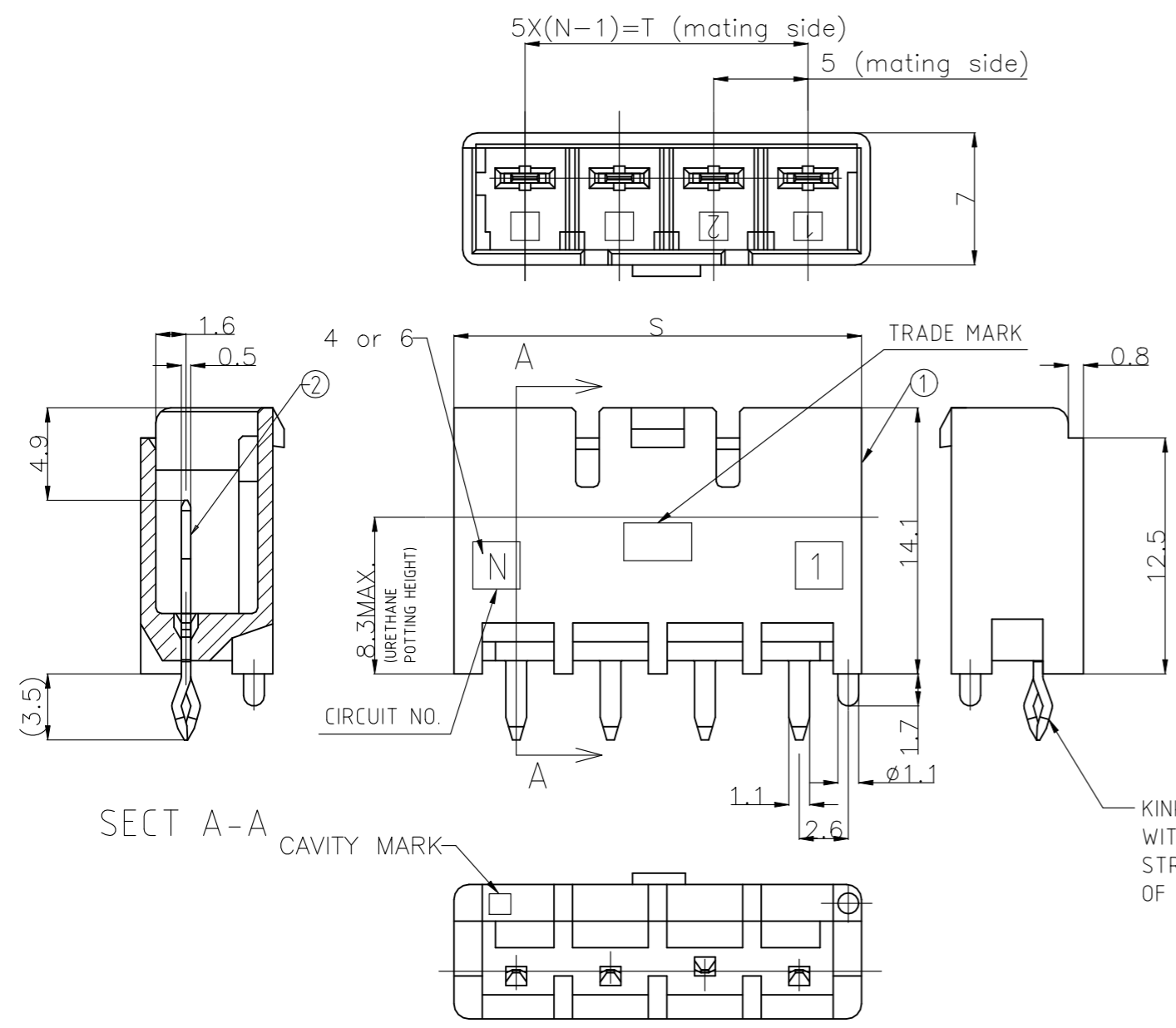


THIS DRAWING IS UNPUBLISHED. RELEASED FOR PUBLICATION
 © COPYRIGHT - By - ALL RIGHTS RESERVED.

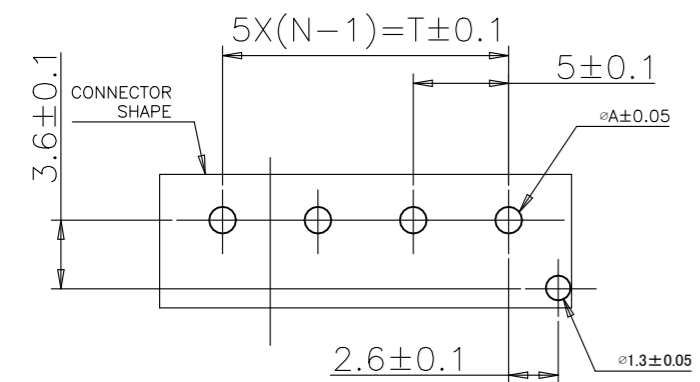
REVISIONS				
P	LTR	DESCRIPTION	DATE	APVD
E5	REVISED PER	ECR-21-103027	24MAY2021	KS DZ



NO.	NAME	MATERIAL	NO.	NAME	MATERIAL	NO.	NAME	MATERIAL	NO.	NAME	MATERIAL	NO.	NAME	MATERIAL	NO.	NAME	MATERIAL	NO.	NAME	MATERIAL
8	9	25	31.6	6	1376391-1	WITH KINK	TYPE A	NATURAL	5Pos	7-1376385-1										
7	25	31.6	6	1376391-1	WITH KINK	TYPE A	NATURAL	5Pos	6-1376385-1											
6	25	31.6	6	1376391-1	WITHOUT KINK	TYPE A	NATURAL	6Pos	5-1376385-1											
6	25	31.6	6	3-1376391-4	WITH KINK	TYPE D	YELLOW	6Pos	3-1376385-4											
6	25	31.6	6	2-1376391-3	WITH KINK	TYPE C	BLUE	6Pos	2-1376385-3											
6	25	31.6	6	1-1376391-2	WITH KINK	TYPE B	RED	6Pos	1-1376385-2											
6	25	31.6	6	1376391-1	WITH KINK	TYPE A	NATURAL	6Pos	1376385-1											
6	15	21.6	4	1376390-1	WITH KINK	TYPE A	NATURAL	4Pos	1376384-6											
5	15	21.6	4	1376390-5	WITH KINK	TYPE A	NATURAL	4Pos	1-1376384-6											
5	15	21.6	4	1-1376390-5	WITH KINK	TYPE B	RED	4Pos	1-1376384-5											
6	15	21.6	4	1376390-1	WITHOUT KINK	TYPE A	NATURAL	4Pos	5-1376384-1											
6	15	21.6	4	3-1376390-4	WITH KINK	TYPE D	YELLOW	4Pos	3-1376384-4											
6	15	21.6	4	2-1376390-3	WITH KINK	TYPE C	BLUE	4Pos	2-1376384-3											
6	15	21.6	4	1-1376390-2	WITH KINK	TYPE B	RED	4Pos	1-1376384-2											
6	15	21.6	4	1376390-1	WITH KINK	TYPE A	NATURAL	4Pos	1376384-1											
T	S	N	MATING CONN. P/N		WITH/WITHOUT KINK	TYPE OF KEYING	Color	Pos	PART NO.											

NO.	NAME	MATERIAL
2	HEADER HOUSING	6/6 NYLON GRASS FILLED/ NYLON 6
1	TAB	COPPER ALLOY TIN PLATED

- 1 RECOMMENDED P.C.B LAY OUT.
- 2 APPLICABLE P.C.B. THICKNESS:1.6.
- 3 MATING CONN. P/N PLUG HOUSING :SEE TABLE.
- 4 PARTS COMPLY WITH GLOW WIRE REQUIREMENT FOR PARTS OF NON-METALLIC MATERIAL SUPPORTING A CURRENT-CARRYING CONNECTION DETAILED IN IEC 60335-1, SECTION 30 (GWT) .
- 5 NYLON 6, GWT, V-2.
- 6 NYLON 66, GWT, V-0.
- 7 THE PART 6-1376385-1 IS THE SAME AS 1376385-1 BUT REMOVE THE SECOND PIN.
- 8 THE PART 7-1376385-1 IS THE SAME AS 1376385-1 BUT REMOVE THE FOURTH PIN.
- 9 PRELIMINARY - NOT FOR PRODUCTION.



	DIM A
PUNCHING	1.25
DRILLING	1.4

1 RECOMMENDED PCB HOLES

THIS DRAWING IS A CONTROLLED DOCUMENT.

DIMENSIONS: mm	TOLERANCES UNLESS OTHERWISE SPECIFIED:	DWN A.OISHI 28AUG'00	TE Connectivity 5.0 POWER KEY CONNECTOR 4P HEADER ASSEMBLY			
	0 P/LC ± 0.2	CHK Y.KASHIWA 28AUG'00				
	1 P/C ±	APVD Y.KASHIWA 28AUG'00				
	2 P/C ±	NAME				
MATERIAL SEE TABLE	SEE TABLE	PRODUCT SPEC 108-5699	SIZE A3	CAGE CODE 00779	DRAWING NO C-1376384	RESTRICTED TO
		APPLICATION SPEC 114-5292	SCALE 3:1	SHEET 1 OF 1	REV E5	
		WEIGHT	CUSTOMER DRAWING			

X-ON Electronics

Largest Supplier of Electrical and Electronic Components

Click to view similar products for [Power to the Board](#) category:

Click to view products by [TE Connectivity](#) manufacturer:

Other Similar products are found below :

[6450171-4](#) [6450552-7](#) [6600323-8](#) [6643429-1](#) [6646040-2](#) [6651939-1](#) [6766604-1](#) [120959-1](#) [1393557-2](#) [1393532-2](#) [1393532-3](#) [1393532-4](#)
[1393557-1](#) [1600812-5](#) [1-6450861-2](#) [1744132-7](#) [1761122-1](#) [1766250-1](#) [1892109-1](#) [2-6450860-5](#) [2-6450870-0](#) [1-6450161-4](#) [1-6450850-6](#) [1-](#)
[6450869-6](#) [1645526-2](#) [1-6600130-0](#) [2005243-2](#) [377-0020-11130](#) [TE34-12-16P-F0](#) [51700-10201602AALF](#) [5-6450830-6](#) [5646956-4](#) [377-](#)
[0080-11131A](#) [4-6450830-9](#) [4-6600333-3](#) [10125416-4050LF](#) [10130248-005LF](#) [6600320-3](#) [3-6450860-5](#) [1888123-2](#) [6450166-1](#) [6643978-1](#)
[6766605-1](#) [701-15-02109](#) [N11444](#) [6651938-1](#) [6450810-7](#) [46437-1112](#) [1-1589677-8](#) [5646956-5](#)