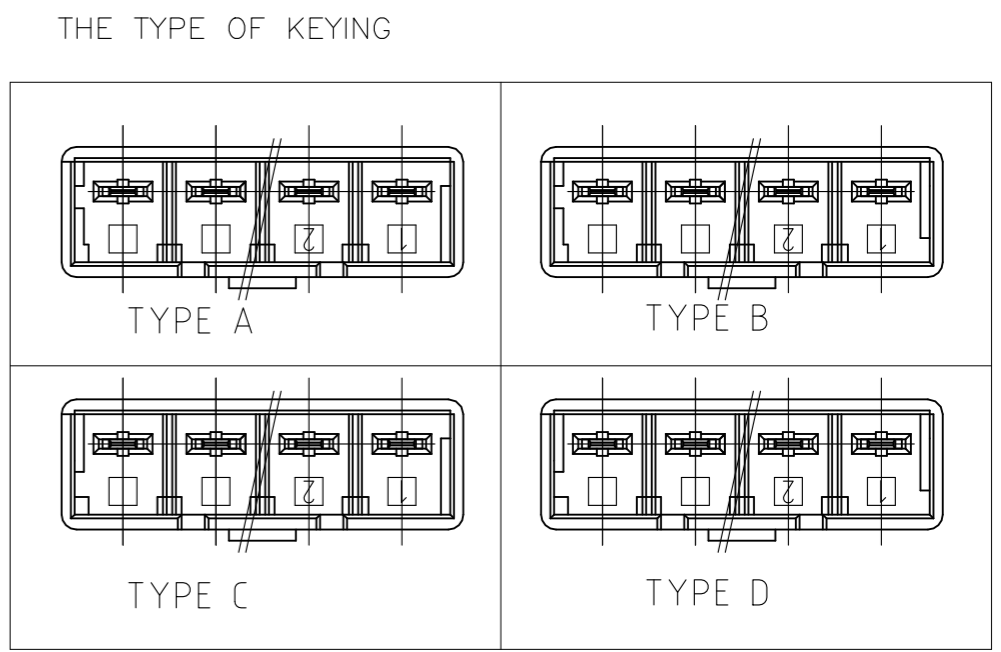
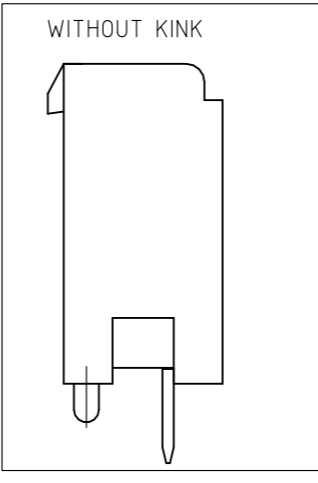
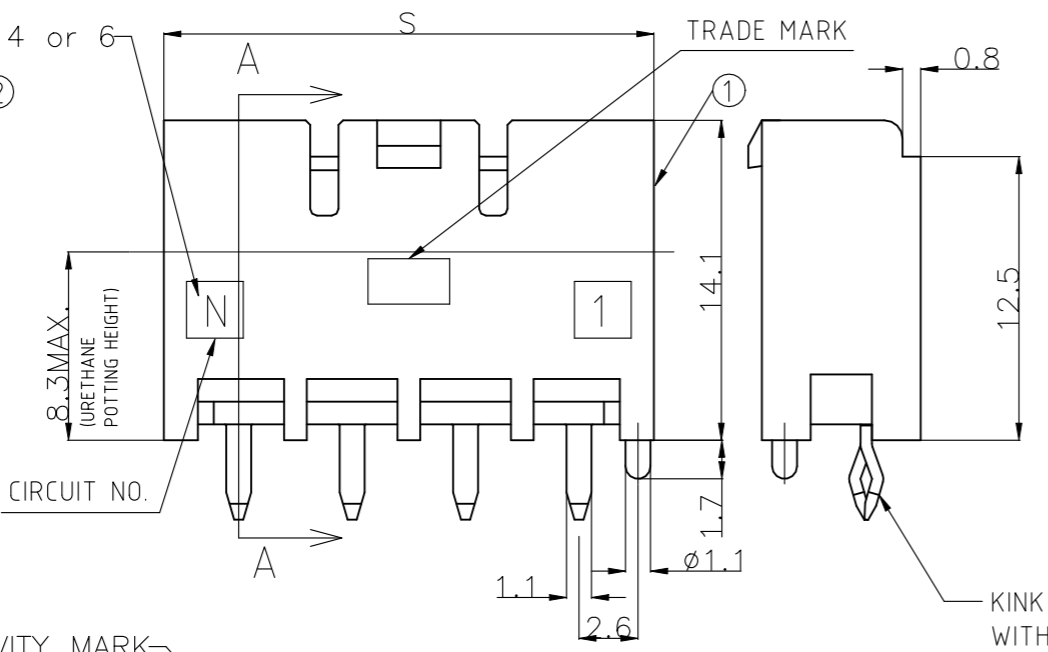
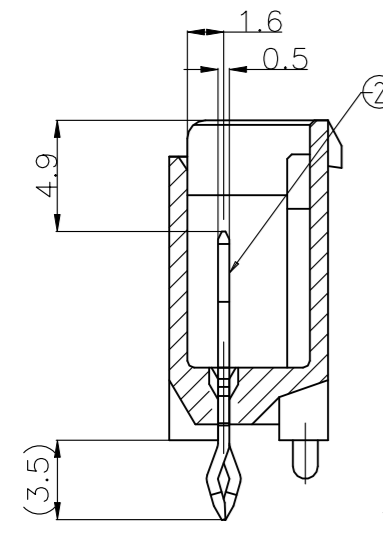
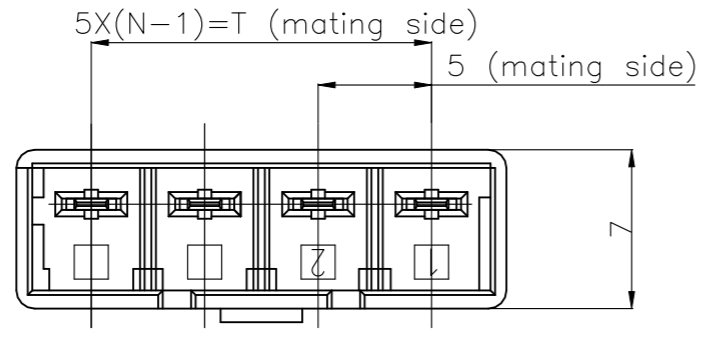


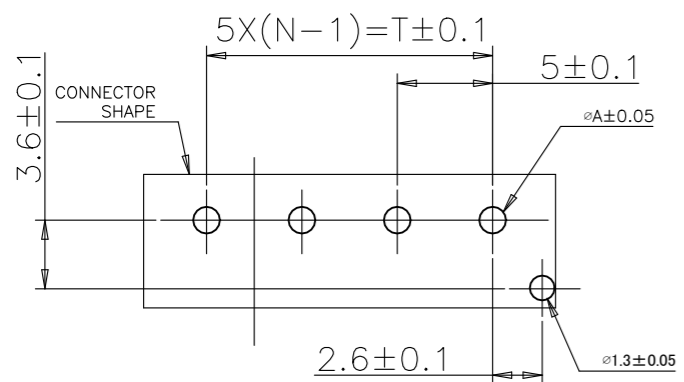
THIS DRAWING IS UNPUBLISHED. RELEASED FOR PUBLICATION. ALL RIGHTS RESERVED.

REVISIONS				
P	LTR	DESCRIPTION	DATE	DWN APVD
E5	REVISED PER	ECR-21-103027	24MAY2021	KS DZ



NO.	NAME	MATERIAL	NO.	NAME	MATERIAL	WITH/WITHOUT KINK	TYPE OF KEYING	Color	Pos	PART NO.
8	9	25	31.6	6	1376391-1	WITH KINK	TYPE A	NATURAL	5Pos	7-1376385-1
7		25	31.6	6	1376391-1	WITH KINK	TYPE A	NATURAL	5Pos	6-1376385-1
6		25	31.6	6	1376391-1	WITHOUT KINK	TYPE A	NATURAL	6Pos	5-1376385-1
6		25	31.6	6	3-1376391-4	WITH KINK	TYPE D	YELLOW	6Pos	3-1376385-4
6		25	31.6	6	2-1376391-3	WITH KINK	TYPE C	BLUE	6Pos	2-1376385-3
6		25	31.6	6	1-1376391-2	WITH KINK	TYPE B	RED	6Pos	1-1376385-2
6		25	31.6	6	1376391-1	WITH KINK	TYPE A	NATURAL	6Pos	1376385-1
6		15	21.6	4	1376390-1	WITH KINK	TYPE A	NATURAL	4Pos	1376384-6
5		15	21.6	4	1376390-5	WITH KINK	TYPE A	NATURAL	4Pos	1-1376384-6
5		15	21.6	4	1-1376390-5	WITH KINK	TYPE B	RED	4Pos	1-1376384-5
6		15	21.6	4	1376390-1	WITHOUT KINK	TYPE A	NATURAL	4Pos	5-1376384-1
6		15	21.6	4	3-1376390-4	WITH KINK	TYPE D	YELLOW	4Pos	3-1376384-4
6		15	21.6	4	2-1376390-3	WITH KINK	TYPE C	BLUE	4Pos	2-1376384-3
6		15	21.6	4	1-1376390-2	WITH KINK	TYPE B	RED	4Pos	1-1376384-2
6		15	21.6	4	1376390-1	WITH KINK	TYPE A	NATURAL	4Pos	1376384-1
		T	S	N	MATING CONN. P/N	WITH/WITHOUT KINK	TYPE OF KEYING	Color	Pos	PART NO.

NO.	NAME	MATERIAL
2	HEADER HOUSING	6/6 NYLON GRASS FILLED/ NYLON 6
1	TAB	COPPER ALLOY TIN PLATED



OPERATION	DIAMETER
PUNCHING	1.25
DRILLING	1.4
	DIM A

- 1 RECOMMENDED P.C.B LAY OUT.
- 2 APPLICABLE P.C.B. THICKNESS:1.6.
- 3 MATING CONN. P/N PLUG HOUSING :SEE TABLE.
- 4 PARTS COMPLY WITH GLOW WIRE REQUIREMENT FOR PARTS OF NON-METALLIC MATERIAL SUPPORTING A CURRENT-CARRYING CONNECTION DETAILED IN IEC 60335-1, SECTION 30 (GWT) .
- 5 NYLON 6, GWT, V-2.
- 6 NYLON 66, GWT, V-0.
- 7 THE PART 6-1376385-1 IS THE SAME AS 1376385-1 BUT REMOVE THE SECOND PIN.
- 8 THE PART 7-1376385-1 IS THE SAME AS 1376385-1 BUT REMOVE THE FOURTH PIN.
- 9 PRELIMINARY - NOT FOR PRODUCTION.

THIS DRAWING IS A CONTROLLED DOCUMENT.

DIMENSIONS: mm	TOLERANCES UNLESS OTHERWISE SPECIFIED: 0 P/LC ± 0.2 1 P/C ± 2 P/LC ± 3 P/LC ± 4 P/LC ANGLES ± 1° FINISH	DWN A.OISHI 28AUG'00 CHK Y.KASHIWA 28AUG'00 APVD Y.KASHIWA 28AUG'00 PRODUCT SPEC 108-5699 APPLICATION SPEC 114-5292 WEIGHT	NAME 5.0 POWER KEY CONNECTOR 4P HEADER ASSEMBLY
MATERIAL SEE TABLE	SEE TABLE	CUSTOMER DRAWING	RESTRICTED TO

STE TE Connectivity

SCALE 3:1 SHEET 1 OF 1 REV E5

X-ON Electronics

Largest Supplier of Electrical and Electronic Components

Click to view similar products for [Heavy Duty Power Connectors](#) category:

Click to view products by [TE Connectivity](#) manufacturer:

Other Similar products are found below :

[647757-1](#) [6643411-1](#) [6646058-2](#) [6646137-1](#) [6646138-1](#) [6646479-1](#) [6646608-1](#) [6646786-1](#) [6646940-1](#) [6651091-1](#) [6651525-1](#) [6651529-1](#)
[6651788-1](#) [696475-1](#) [702-32-01109](#) [703-25-02205](#) [73000005059](#) [73000005642](#) [73080255059](#) [73080965046](#) [765-15-0080A](#) [765-16-0080B](#)
[765-18-0080D](#) [829992-1](#) [902-77-02113](#) [PS00/A0620/6300](#) [PS25/A0420/63](#) [129-1J](#) [1409400](#) [AN0024023](#) [E6374G1](#) [e6389g2](#) [157-43GW8](#)
[MS3117-14AC](#) [1643543-1](#) [1650540-1](#) [1651811-2](#) [1766260-1](#) [1766282-1](#) [1766966-1](#) [1791340000](#) [NLDFT-3-BL-L-S120-M40A](#) [NLDFT-N-](#)
[W-L-C240-M40B](#) [NLS-2-R-C240-M40B](#) [NLS-N-W-C240-M40B](#) [NPS-3-BL-T6](#) [1986615-1](#) [2-1589900-8](#) [2199314-1](#) [KA8102](#)