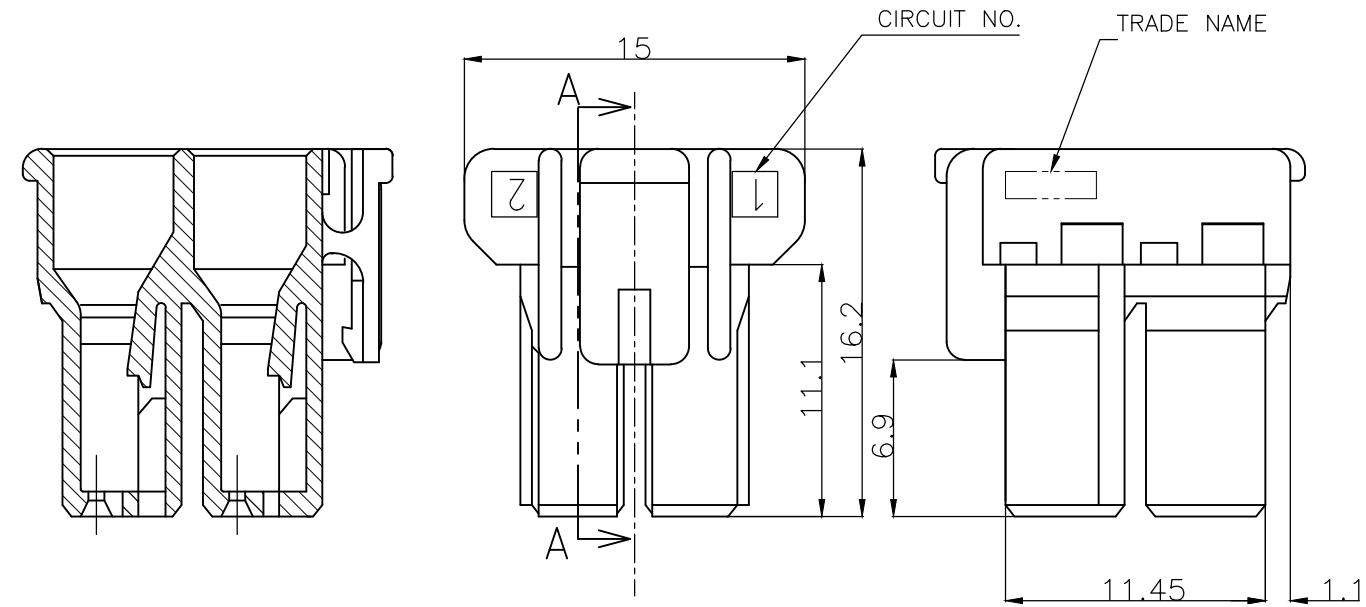
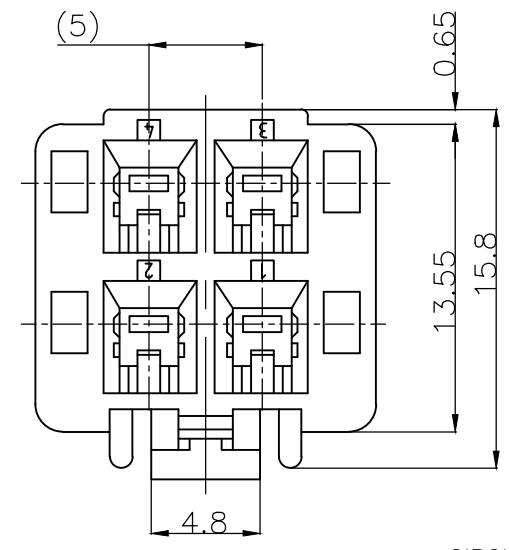
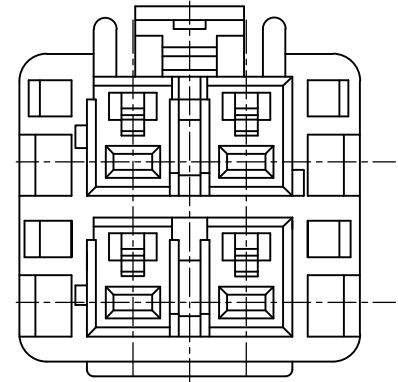


THIS DRAWING IS UNPUBLISHED. RELEASED FOR PUBLICATION
 © COPYRIGHT - By - ALL RIGHTS RESERVED.

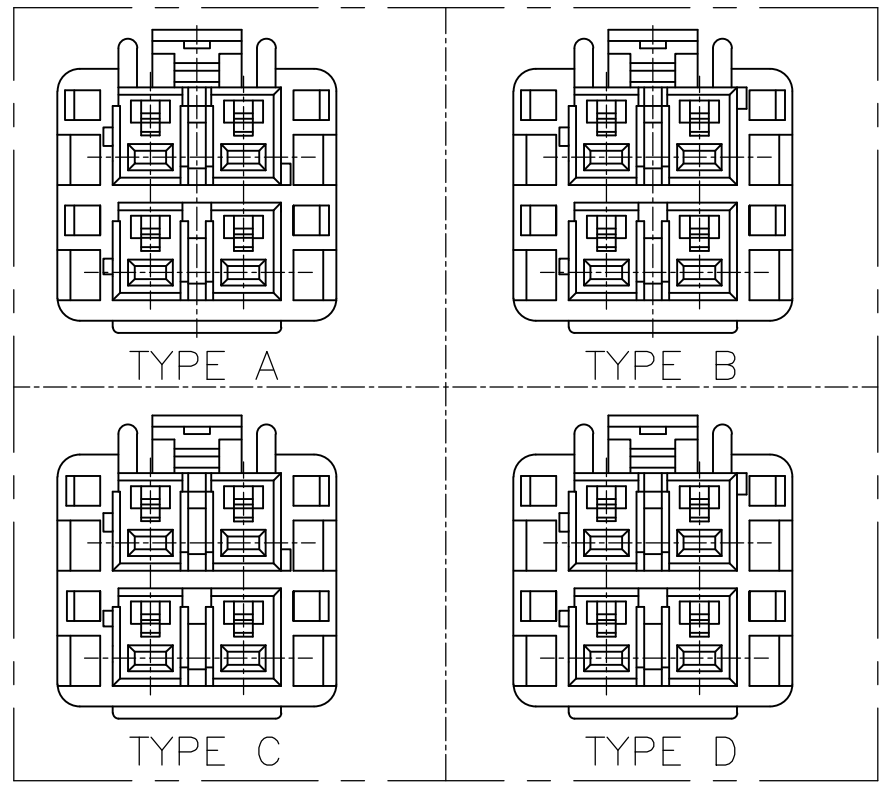
REVISIONS					
P	LTR	DESCRIPTION	DATE	DWN	APVD
	C3	REVISED PER ECO-17-008188	4JAN2018	C.X	D.Z



SECT A-A



THE TYPE OF KEYING



- 1 MATING CONN. P/N
 HEADER ASS'Y :SEE TABLE
 REC CONTACT ;1376347-1,1376348-1
- 2 PARTS MEET IEC 60335-1 (GWT GLOW WIRE TEST 750 DEGREE SPEC)
- 3 NYLON 66, GWT, V-0.

(HOSING)	(6/6 NYLON GRASS FILLED)
(NAME)	(MATERIAL)

3	1376394-1	3-1376386-4	TYPE D	YELLOW	4Pos	3-1376392-4
3	1376394-1	2-1376386-3	TYPE C	BLUE	4Pos	2-1376392-3
3	1376394-1	1-1376386-2	TYPE B	RED	4Pos	1-1376392-2
3	1376394-1	1376386-1	TYPE A	NATURAL	4Pos	1376392-1
	APPLICABLE PLATE. P/N	MATING CONN. P/N	THE TYPE OF KEYING	Color	Pos	PART NO.

THIS DRAWING IS A CONTROLLED DOCUMENT.		DWN A.OISHI 31AUG00	TE Connectivity			
DIMENSIONS: mm		CHK Y.KASHIWA 28AUG'00				
TOLERANCES UNLESS OTHERWISE SPECIFIED:		APVD Y.KASHIWA 28AUG'00	NAME			
0 PLC ± 0.2 1 PLC ± 0.2 2 PLC ± 0.2 3 PLC ± 4 PLC ± ANGLES ± 1°		PRODUCT SPEC 108-5699	5.0 POWER KEY CONNECTOR 4P PLUG HOUSING(2ROW)			
MATERIAL SEE TABLE		FINISH SEE TABLE	APPLICATION SPEC 114-5292	SIZE A3	CAGE CODE 00779	DRAWING NO C-1376392
CUSTOMER DRAWING			WEIGHT	RESTRICTED TO	SCALE 3:1	SHEET 1 OF 2
					REV C3	

THIS DRAWING IS UNPUBLISHED.

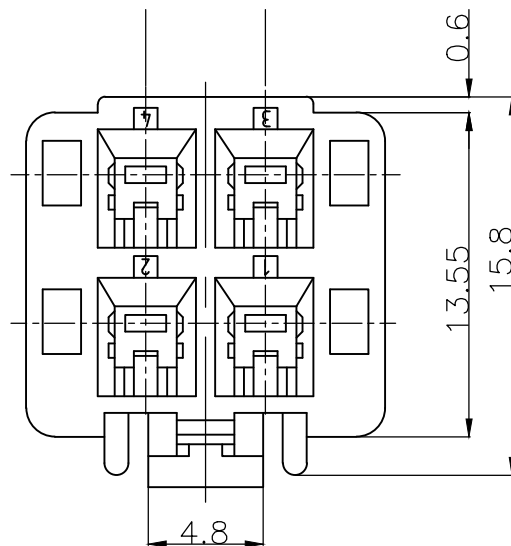
RELEASED FOR PUBLICATION

ALL RIGHTS RESERVED.

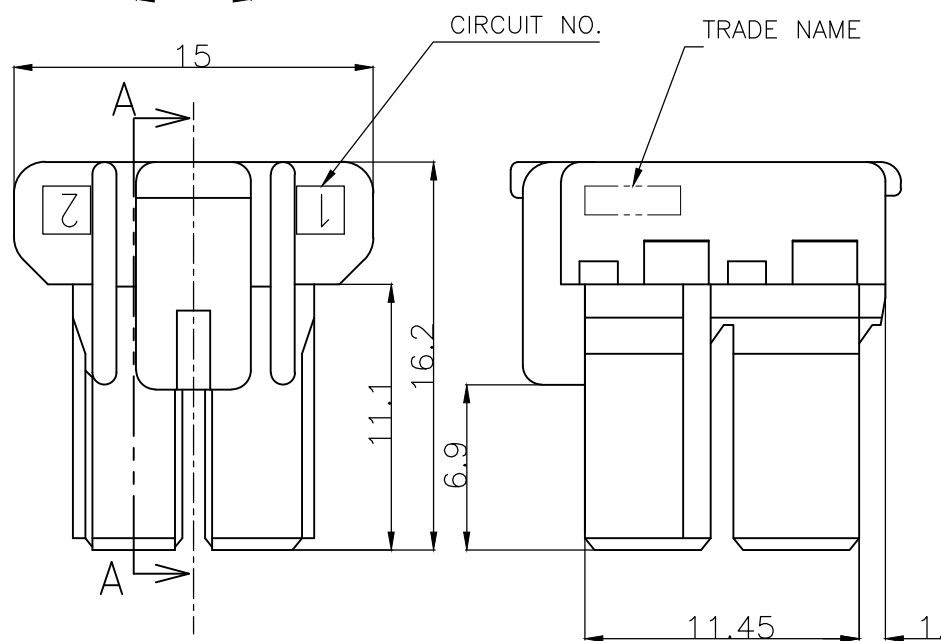
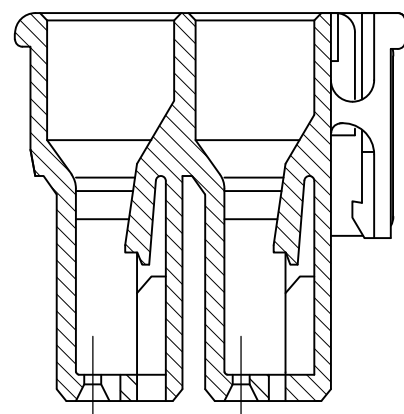
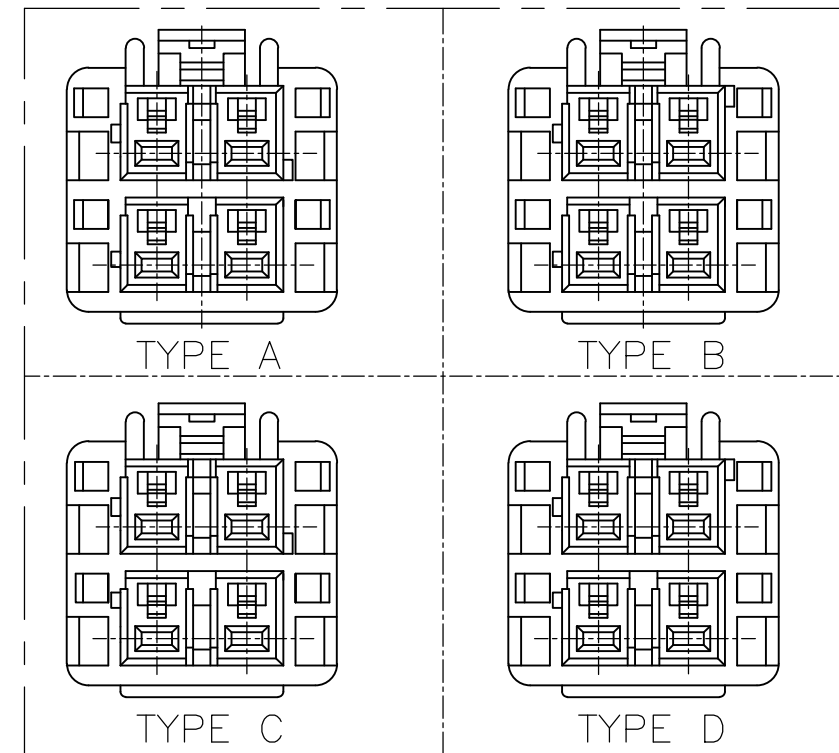
© COPYRIGHT - By -

REVISIONS

P	LTR	DESCRIPTION	DATE	DWN	APVD
-	-	SEE SHEET 1	-	-	-



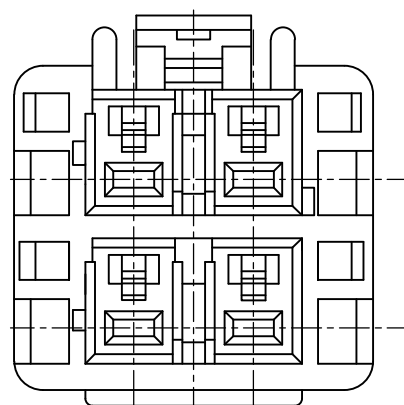
THE TYPE OF KEYING



1 MATING CONN. P/N
 HEADER ASS'Y :SEE TABLE
 REC CONTACT ;1376347-1,1376348-1

HOSING	6 / 6 NYLON
(NAME)	(MATERIAL)

SECT A-A



1376394-1	3-1376386-5	TYPE D	YELLOW	4Pos	3-1376392-5
1376394-1	2-1376386-4	TYPE C	BLUE	4Pos	2-1376392-4
1376394-1	1-1376386-3	TYPE B	RED	4Pos	1-1376392-3
1376394-1	1376386-2	TYPE A	NATURAL	4Pos	1376392-2
APPLICABLE PLATE. P/N	MATING CONN. P/N	THE TYPE OF KEYING	Color	Pos	PART NO.

THIS DRAWING IS A CONTROLLED DOCUMENT.		DWN A.OISHI 31AUG'00	TE Connectivity 5.0 POWER KEY CONNECTOR 4P PLUG HOUSING(2ROW)				
DIMENSIONS: mm		CHK Y.KASHIWA 28AUG'00				NAME	
TOLERANCES UNLESS OTHERWISE SPECIFIED:		APVD Y.KASHIWA 28AUG'00	PRODUCT SPEC				
0 PLC ± 0.2 1 PLC ± 0.2 2 PLC ± 0.2 3 PLC ± 4 PLC ± ANGLES ± 1°		APPLICATION SPEC	108-78863				
MATERIAL SEE TABLE		FINISH SEE TABLE	WEIGHT	SIZE	CAGE CODE	DRAWING NO	RESTRICTED TO
		CUSTOMER DRAWING		A3	00779	C-1376392	-
				SCALE	SHEET	REV	
				3:1	2 OF 2	C2	

X-ON Electronics

Largest Supplier of Electrical and Electronic Components

Click to view similar products for [Automotive Connectors](#) category:

Click to view products by [TE Connectivity](#) manufacturer:

Other Similar products are found below :

[003-018-000](#) [60993906-B](#) [M902-2131](#) [M902-2161](#) [M902-2344](#) [72.330.1035.1](#) [73.353.4028.0](#) [F166900](#) [F358300-B](#) [F407400](#) [776880-1](#)
[827153-1](#) [8N1515-32-24P](#) [9-1326729-8](#) [925474-1](#) [928905-1](#) [964562-4](#) [968782-1](#) [98891-1012](#) [12004475-L](#) [12020308](#) [12041318-B](#)
[12052466](#) [12064869](#) [12015909](#) [1-21030-1](#) [12041254](#) [12041318](#) [12047946-B](#) [12110546-B](#) [12131792](#) [12084688](#) [12092346](#) [HD34-18-14PT](#)
[HD46-24-23SN-059](#) [HDB36-24-16PN-059](#) [HDP26-24-9SE-L015](#) [12185280](#) [12185550](#) [12336-12](#) [12191172-B](#) [12S](#) [13545280](#) [13577943](#)
[13681974](#) [13737722-B](#) [13830674](#) [13832576](#) [13849772](#) [13542772](#)