

THIS DRAWING IS UNPUBLISHED. RELEASED FOR PUBLICATION  
 © COPYRIGHT - Tyco Electronics AMP GmbH ALL RIGHTS RESERVED.

REVISIONS							
LOC	DIST	P	LTR	DESCRIPTION	DATE	DWN	APVD
H	-		G1	PN 2--5, 6--2, 8--3 OBSOLETE	22DEC2017	TJ	NG

SMALL PACK PART NUMBER	UNIT PACKAGE QTY (QTY/PLASTIC BOX)	BULK PACKAGING	
		UNIT PACKAGE QTY (QTY/PLASTIC BOX)	PART NUMBER
1377173	1	100	0-0034151-0
<del>1377173</del>	<del>2</del>	<del>100</del>	<del>0-0034157-0</del> OBSOLETE
1377173	3	100	0-0034158-0
1377173	4	100	0-0034160-0
1377173	5	100	0-0130102-0
1377173	6	100	0-0034162-0
1377173	7	100	0-0130126-0
1377173	8	100	0-0034163-0
1377173	9	50	0-0034853-0
1 1377173	0	50	0-0160292-0
1 1377173	1	50	0-0160294-0
1 1377173	2	50	0-0160296-0
1 1377173	3	50	0-0160124-0
1 1377173	4	100	0-0165004-0
1 1377173	5	100	0-0327043-0
1 1377173	6	100	0-0320665-0
1 1377173	7	100	0-0034154-0
1 1377173	8	100	0-0034155-0
1 1377173	9	100	0-0165008-0
2 1377173	0	100	0-0034156-0
2 1377173	1	100	0-0322249-0
2 1377173	2	100	0-0324169-0
2 1377173	3	100	0-0328516-0
2 1377173	4	100	0-0165010-0
<del>2 1377173</del>	<del>5</del>	<del>100</del>	<del>0-0106730-0</del>
2 1377173	6	100	0-0322994-0
2 1377173	7	100	0-0034165-0
2 1377173	8	100	0-0165012-0
2 1377173	9	100	0-0326741-0
3 1377173	0	100	0-0034166-0
3 1377173	1	100	0-0160171-0
3 1377173	2	100	0-0130568-0
<del>3 1377173</del>	<del>3</del>	<del>100</del>	<del>0-0324165-0</del> OBSOLETE 1
3 1377173	4	100	0-0160212-0
3 1377173	5	100	0-0160213-0
3 1377173	6	50	0-0165015-0
3 1377173	7	50	0-0165017-0
3 1377173	8	50	0-0165019-0
3 1377173	9	50	0-0324172-0
4 1377173	0	50	0-0052856-0
4 1377173	1	100	0-0165143-0
4 1377173	2	100	0-0165167-0
4 1377173	3	100	0-0131443-0
<del>4 1377173</del>	<del>4</del>	<del>100</del>	<del>9-0165075-0</del> SUPERSEDED BY PARTNR. 4-1377173-5
<del>4 1377173</del>	<del>5</del>	<del>100</del>	<del>0-0165075-0</del> SUPERSEDED BY PARTNR. 4-1377173-7
<del>4 1377173</del>	<del>6</del>	<del>100</del>	<del>9-0165171-0</del>
4 1377173	7	100	0-0165171-0
4 1377173	8	100	0-0131444-0
4 1377173	9	100	0-0165085-0
5 1377173	0	50	0-0131445-0
5 1377173	1	100	0-0321026-0
5 1377173	2	100	0-0034070-0
5 1377173	3	100	0-0034071-0
5 1377173	4	50	0-0034072-0
5 1377173	5	100	0-0034132-0
5 1377173	6	50	0-0034134-0
5 1377173	7	50	0-0034136-0
5 1377173	8	100	0-0035115-0
5 1377173	9	50	0-0328730-0
<del>6 1377173</del>	<del>0</del>	<del>100</del>	<del>0-0165198-0</del> OBSOLETE 1
6 1377173	1	25	0-055808-1
<del>6 1377173</del>	<del>2</del>	<del>100</del>	<del>0-0323913-0</del>
<del>6 1377173</del>	<del>3</del>	<del>100</del>	<del>0-0323914-0</del> OBSOLETE
6 1377173	4	100	0-0323915-0
6 1377173	5	100	0-0323916-0
6 1377173	6	100	0-0031880-0
6 1377173	7	100	0-0036150-0
6 1377173	8	100	0-0031890-0
6 1377173	9	100	0-0130008-0

SMALL PACK PART NUMBER	UNIT PACKAGE QTY (QTY/PLASTIC BOX)	BULK PACKAGING	
		UNIT PACKAGE QTY (QTY/PLASTIC BOX)	PART NUMBER
7 1377173	0	100	0-0031894-0
<del>7 1377173</del>	<del>1</del>	<del>100</del>	<del>0-0328996-0</del> OBSOLETE 1
7 1377173	2	100	0-0320619-0
7 1377173	3	100	0-0320565-0
7 1377173	4	100	0-0130094-0
7 1377173	5	100	0-0321045-0
7 1377173	6	100	0-0328998-0
7 1377173	7	50	0-0035108-0
7 1377173	8	50	0-0130171-0
7 1377173	9	50	0-0165034-0
8 1377173	0	50	0-0160298-0
8 1377173	1	50	0-0130207-0
<del>8 1377173</del>	<del>2</del>	<del>100</del>	<del>0-0321035-0</del> OBSOLETE
<del>8 1377173</del>	<del>3</del>	<del>100</del>	<del>0-0323011-0</del>
8 1377173	4	100	0-0130522-0
8 1377173	5	100	0-0034541-0
8 1377173	6	100	0-0130517-0
8 1377173	7	100	0-0032053-0
<del>8 1377173</del>	<del>8</del>	<del>100</del>	<del>0-0032498-0</del> OBSOLETE
8 1377173	9	100	0-0032054-0
9 1377173	0	100	0-0032562-0
9 1377173	1	100	0-0326861-0
9 1377173	2	100	0-0130527-0
<del>9 1377173</del>	<del>3</del>	<del>100</del>	<del>0-0032058-0</del> OBSOLETE
9 1377173	4	100	0-0035559-0
9 1377173	5	100	0-0130532-0
9 1377173	6	100	0-0321233-0
9 1377173	7	100	0-0032059-0
9 1377173	8	100	0-0160170-0
9 1377173	9	100	0-0130537-0

NOTES:-

1. OBSOLETE PARTS: OBSOLETE C IS STREAMLINING PER D.RENAUD/D.SINISI


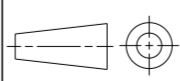
2. REFERENCE:

PN 1377172  
 1377173  
 1377174  
 1377175

3. SHIPPER QTY = 20 X QTY/PLASTIC BOX

4. FOR PN 4-1377173-9 SHIPPER QTY IS 1400 PCS

← SUPERSEDED BY PARTNR. 4-1377173-5  
 ← SUPERSEDED BY PARTNR. 4-1377173-7

THIS DRAWING IS A CONTROLLED DOCUMENT.		DWN RyHEUVEN	30 JUNE 06	 TE Connectivity	
DIMENSIONS: mm		CHK MyDRIEL	30 JUNE 06		
TOLERANCES UNLESS OTHERWISE SPECIFIED:		APVD MyDRIEL	30 JUNE 06	NAME SMALL PACK	
		PRODUCT SPEC		RESTRICTED TO	
MATERIAL		APPLICATION SPEC		SIZE	CAGE CODE
-		-		A2	0779
FINISH		WEIGHT		DRAWING NO	
-		-		C-1377173	
-		CUSTOMER DRAWING		SCALE	SHEET 1 OF 1
-		-		REV G1	

## X-ON Electronics

Largest Supplier of Electrical and Electronic Components

*Click to view similar products for [Terminals](#) category:*

*Click to view products by [TE Connectivity](#) manufacturer:*

Other Similar products are found below :

[00-054007-01074-6](#) [00-054007-70206-1](#) [00-054007-70210-8](#) [00-054007-70217-7](#) [00-054007-70226-9](#) [00-054007-70228-3](#) [00-054007-70248-1](#) [00-054007-70256-6](#) [00-054007-70301-3](#) [00-054007-70316-7](#) [0-0320562-0](#) [00-054007-49560-4](#) [00-054007-70209-2](#) [00-054007-70225-2](#) [00-054007-70227-6](#) [00-054007-70231-3](#) [00-054007-70241-2](#) [00-054007-70242-9](#) [00-054007-70244-3](#) [00-054007-70246-7](#) [00-054007-70263-4](#) [00-054007-70288-7](#) [00-054007-70290-0](#) [00-054007-70300-6](#) [00-054007-70304-4](#) [01-2065-1-0216](#) [01-2900-1-04412](#) [00581P0075](#) [600TS-10](#) [60205-1](#) [604200-1](#) [605601-1](#) [60598-1-CUT-TAPE](#) [61314-6-C](#) [61810-3](#) [61-S](#) [61-SN](#) [626-0194](#) [62-NBM-A](#) [62-SN](#) [62-SP](#) [63-S](#) [640179-1](#) [M55155/059I03](#) [M55155/079C01](#) [M55155/099H02](#) [M55155/109H01](#) [M55155/109H02](#) [M55155/12XH05](#) [M55155/16XH02](#)