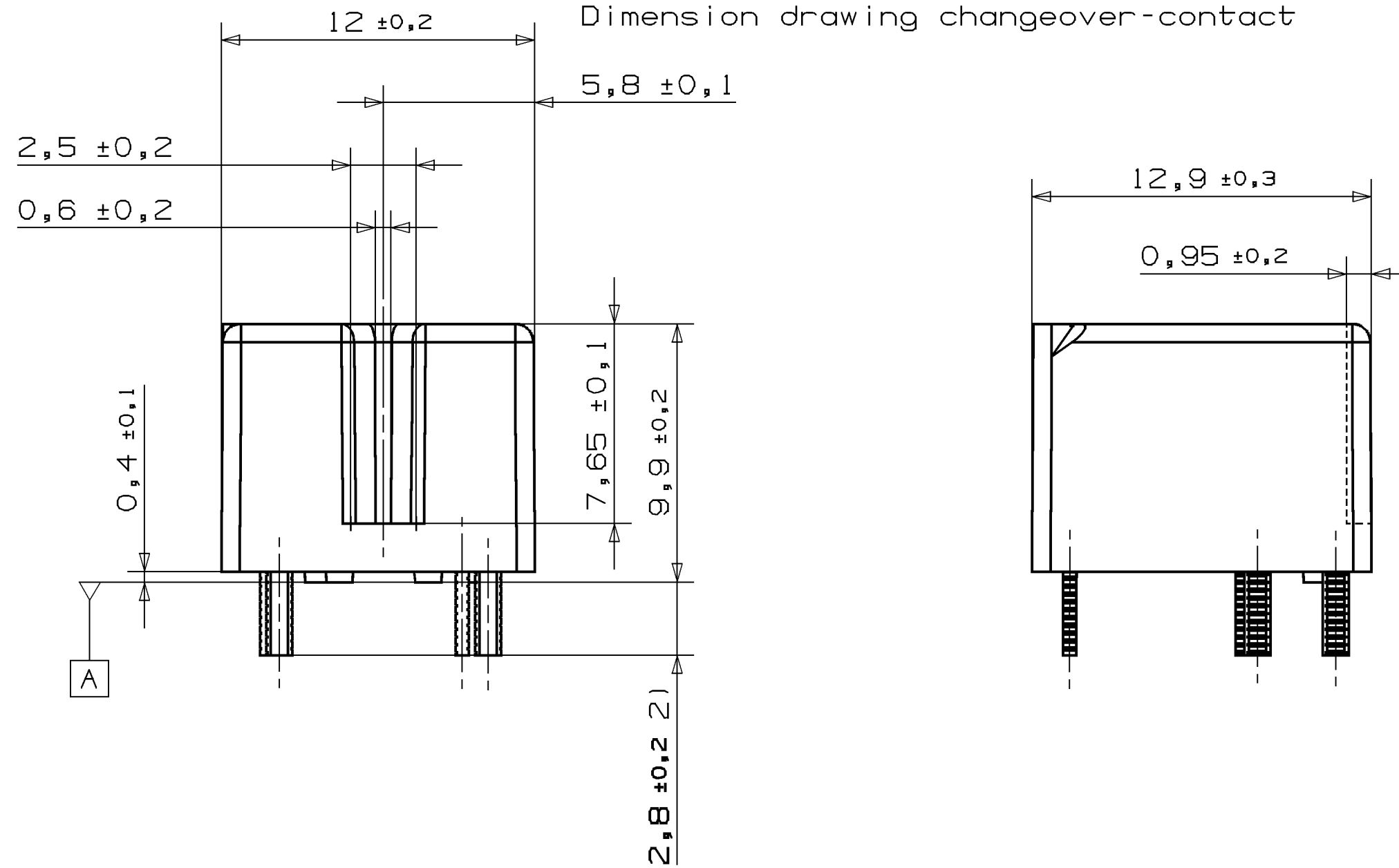
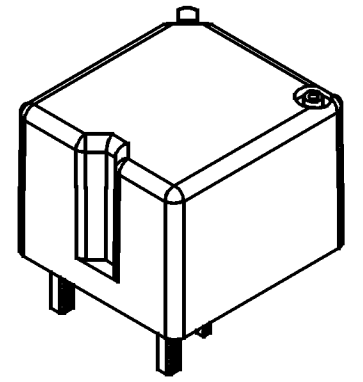


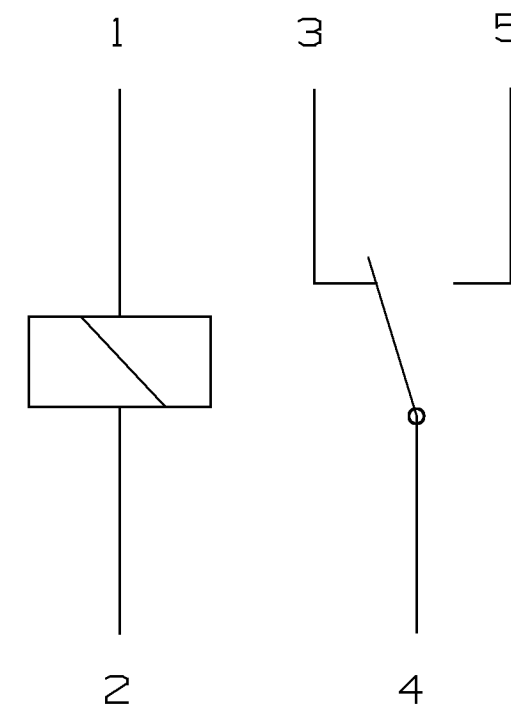
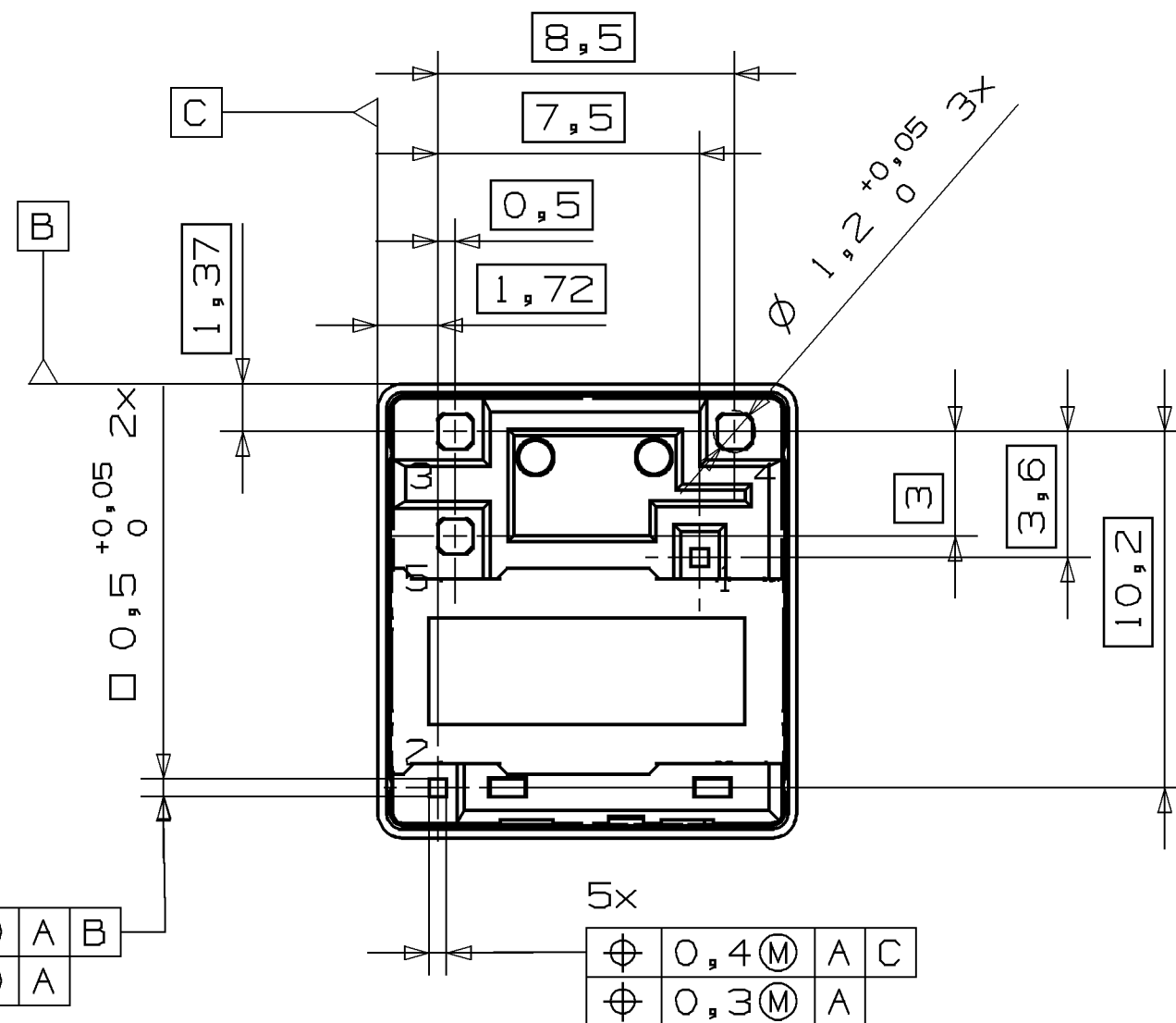
Massbild Wechsler
Dimension drawing changeover-contact



PART NUMBER	DESCRIPTION
0-1393280-2	V23086C1001A302
0-1393280-3	V23086C1001A303
0-1393280-5	V23086C1001A402
0-1393280-6	V23086C1001A403
9-1416000-8	V23086C1001A502
9-1416000-6	V23086C1001A602
9-1416000-0	V23086C1001X008
0-1393280-9	V23086C1002A303
1-1393280-1	V23086C1002A403
6-1414772-9	V23086C1002A502
2-1414987-3	V23086C1002A803
1-1413009-9	V23086C1004A303
8-1416000-7	V23086C1021A502
9-1416000-3	V23086C1021X011
1-1393280-4	V23086G1001X001
6-1414892-7	V23086G1501X028
5-1414993-2	V23086C1021X037

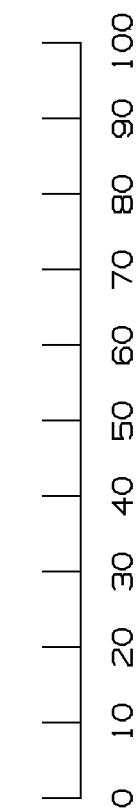
Ansicht auf die Anschlüsse
View on the terminals

Schaltbild
Circuit diagram



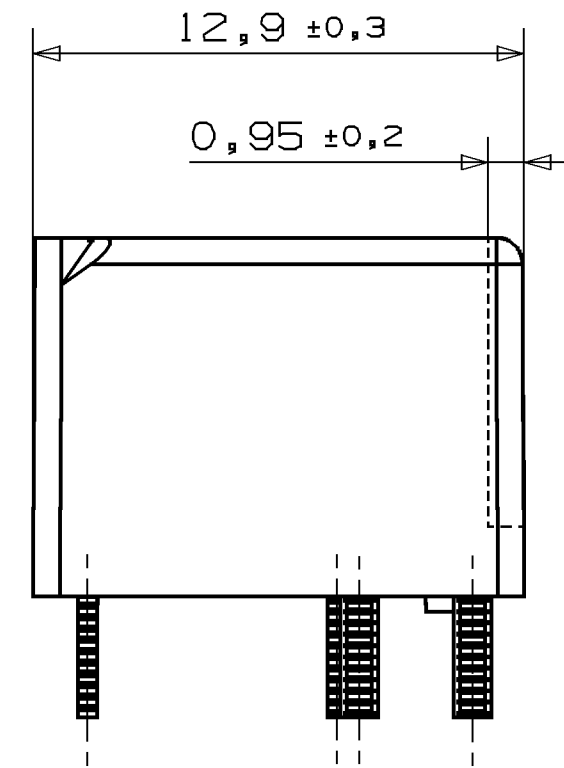
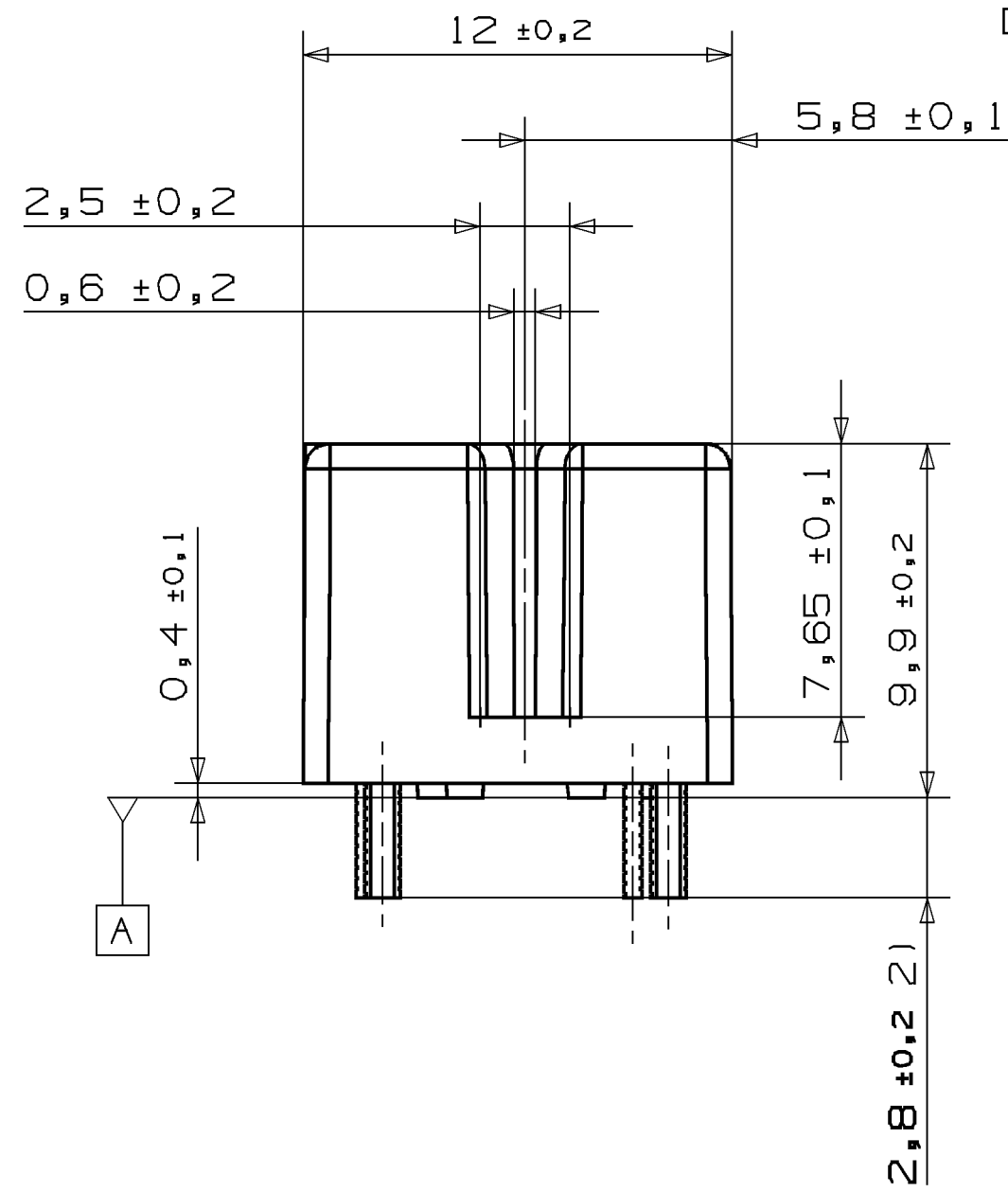
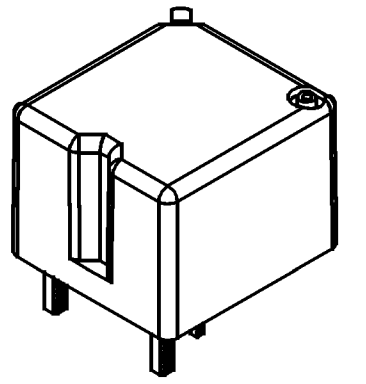
- 1) fuer Ebenheit und Geradheit
ISO 2768 - L
- 2) Pinlaenge ohne Verzinnung
mit Verzinnung max. 3,8mm

- 1) for flatness and straightness
ISO 2768 - L
- 2) Length of terminal without tin
with tin max. 3,8mm

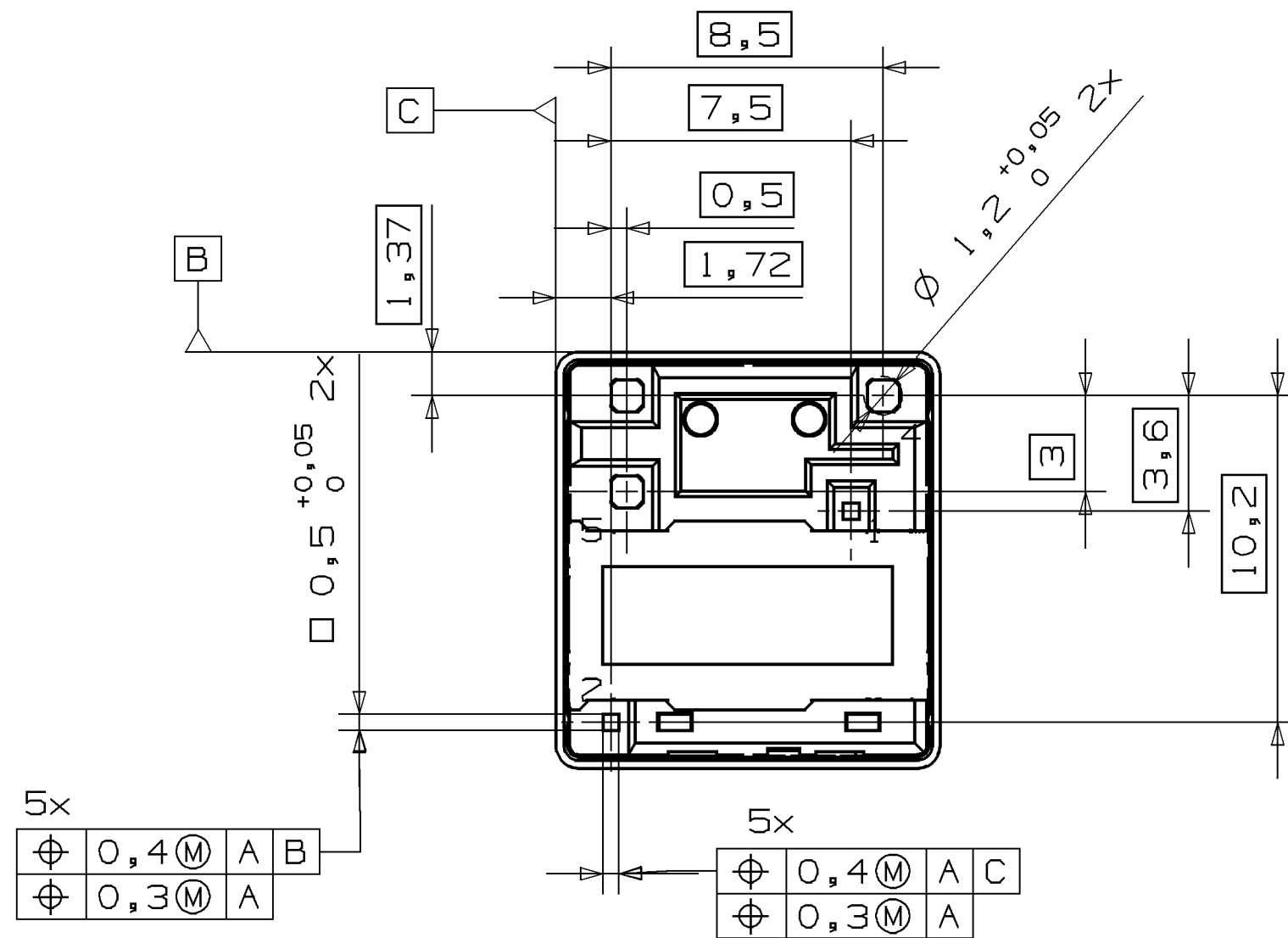


PROPRIETARY THE REPRODUCTION, TRANSMISSION OR USE OF THIS DOCUMENT OR IT'S CONTENTS IS NOT PERMITTED WITHOUT EXPRESSED WRITTEN AUTHORITY. OFFENDERS WILL BE LIABLE FOR ALL DAMAGES. ALL RIGHTS, INCLUDING RIGHTS CREATED BY REGISTERED PATENT(S) GRANTED FOR A UTILITY MODEL OR DESIGN, ARE RESERVED.				CHANGES TO THIS DRAWING MUST BE DONE ONLY IN CAD		PAPER SIZE A2	
APPLICABLE SPEC.:				FINISH			
DIMENSIONS UNLESS SPECIFIED OTHERWISE ISO 2768 mH JJ				DIMENSIONS APPLY SCALE 5:1		PLATING WEIGHT ca. 4g	
MATERIAL				PART NAME			
B3 ECO-12-017225 26SEP2012 JFai DWN. 97-10-23 Reiss				MicroK THT Dimension drawing			
B2 ECO-08-027644 2008-11-06 JFai APP.				PART NO. C23303-A0086-A001-CD			
B1 ECO-07-012552 2007-05-29 JFai REV.				SHT. 1 OF 2			
B ECO-06-028631 2006-12-07 ASCH LOCATION Bin-P				STE connectivity			
A Migration 2006-06-30 ASCH				REV. CHANGE ORDER DATE APP.			
04 WE06/A177 2006-06-28 ASCH				10			
03 WB03/A020 2003-01-20 ASCH				11			
12				12			

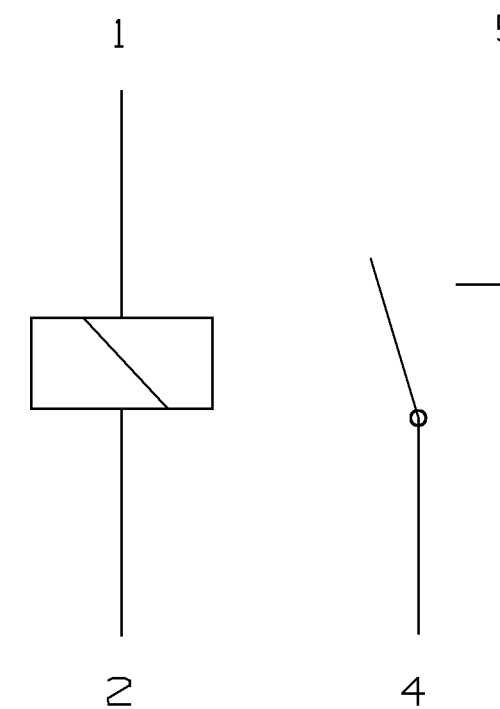
Massbild Schliesser
Dimension drawing make-contact



Ansicht auf die Anschluesse
View on the terminals

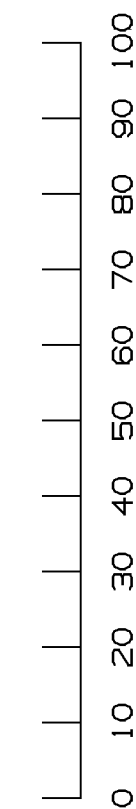


Schaltbild
Circuit diagram



- 1) fuer Ebenheit und Geradheit
ISO 2768 - L
- 2) Pinlaenge ohne Verzinnung
mit Verzinnung max. 3,8mm

- 1) for flatness and straightness
ISO 2768 - L
- 2) Length of terminal without tin
with tin max. 3,8mm



PROPRIETARY THE REPRODUCTION, TRANSMISSION OR USE OF THIS DOCUMENT OR IT'S CONTENTS IS NOT PERMITTED WITHOUT EXPRESSED WRITTEN AUTHORITY. OFFENDERS WILL BE LIABLE FOR ALL DAMAGES. ALL RIGHTS, INCLUDING RIGHTS CREATED BY REGISTERED PATENT(S) GRANTED FOR A UTILITY MODEL OR DESIGN, ARE RESERVED.				CHANGES TO THIS DRAWING MUST BE DONE ONLY IN CAD		PAPER SIZE A2	
APPLICABLE SPEC.:				FINISH			
DIMENSIONS APPLY				PLATING			
SCALE 5:1				WEIGHT ca. 4g			
MATERIAL				PART NAME			
MicroK THT Dimension drawing				PART NO. C23303-A0086-A001-CD			
SHT. 2 OF 2		DATE 97-10-23		NAME Reiss		LOCATION Bin-P	
REV. 03		CHANGE ORDER WB03/A020		DATE 2003-01-20		APP.	

X-ON Electronics

Largest Supplier of Electrical and Electronic Components

Click to view similar products for [General Purpose Relays](#) category:

Click to view products by [TE Connectivity](#) manufacturer:

Other Similar products are found below :

[JVN1AF-4.5V-F](#) [PCN-105D3MHZ](#) [5JO-10000S-SIL](#) [5JO-1000CD-SIL](#) [5JO-400CD-SIL](#) [LY2S-AC220/240](#) [LYQ20DC12](#) [6031007G](#)
[6131406HQ](#) [6-1393099-8](#) [6-1393122-4](#) [6-1393123-2](#) [6-1393767-1](#) [6-1393843-7](#) [6-1415012-1](#) [6-1419102-2](#) [6-1423698-4](#) [6-1608051-6](#) [6-1608067-0](#) [6-1616170-6](#) [6-1616248-2](#) [6-1616282-3](#) [6-1616348-2](#) [6-1616349-9](#) [6-1616350-1](#) [6-1616350-8](#) [6-1616358-7](#) [6-1616359-9](#) [6-1616360-9](#) [6-1616931-6](#) [6-1617039-1](#) [6-1617052-1](#) [6-1617090-2](#) [6-1617090-5](#) [6-1617347-5](#) [6-1617353-3](#) [6-1617801-8](#) [6-1618107-9](#) [6-1618248-4](#) [CX-4014](#) [MAHC-5494](#) [MAVCD-5419-6](#) [703XCX-120A](#) [7-1393100-5](#) [7-1393111-7](#) [7-1393767-8](#) [7-1414968-8](#) [7-1419130-3](#) [7-1608047-2](#) [7-1608065-1](#)