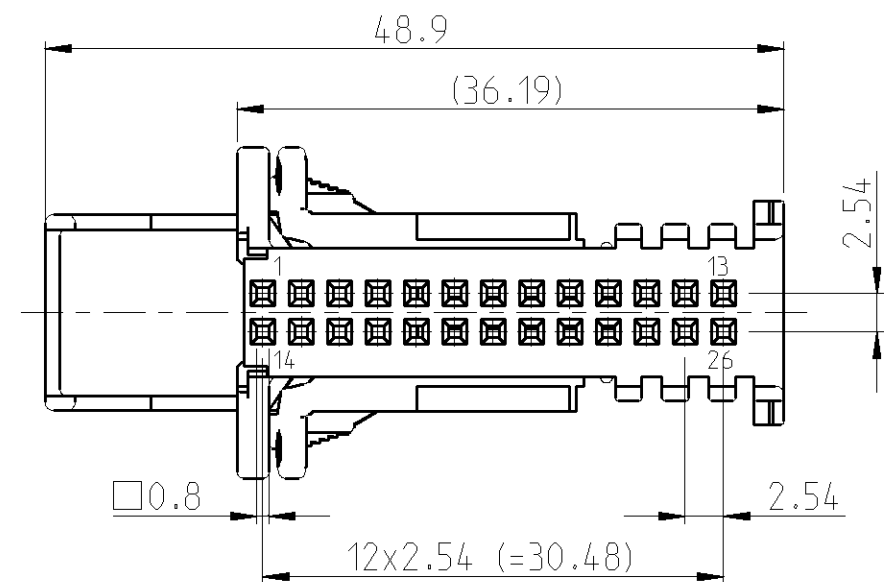
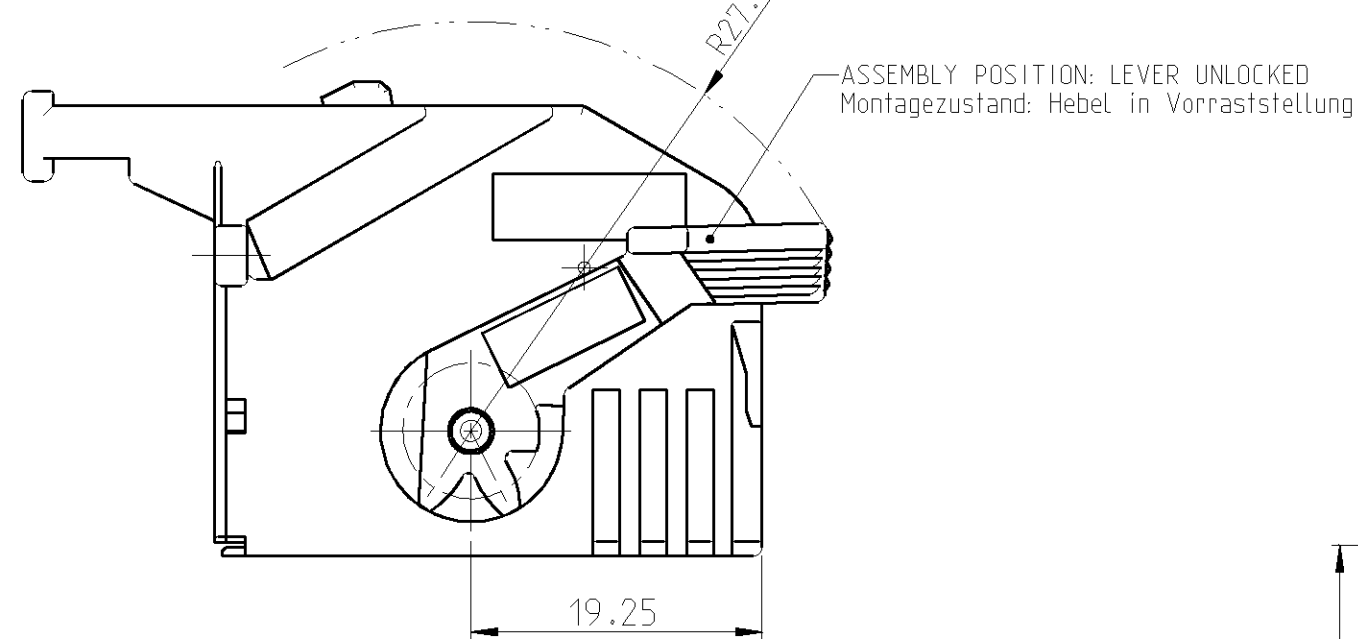


Loc		DIST		REVISIONS			
PART REV.	P	LTR	DESCRIPTION	DATE	DWN	APVD	
A1							
02		02	WO 95/3708	07MAR1995	rvh	rvh	
03		03	WO 97/3778	13MAY1997	rvh	rvh	
03		03a	ueberarbeitet	24OCT2000	Abt	Zitz	
03		A	New drawing created.	12AUG2010	Kirsch	Zitz	

DESING A  
Ausfuehrung A

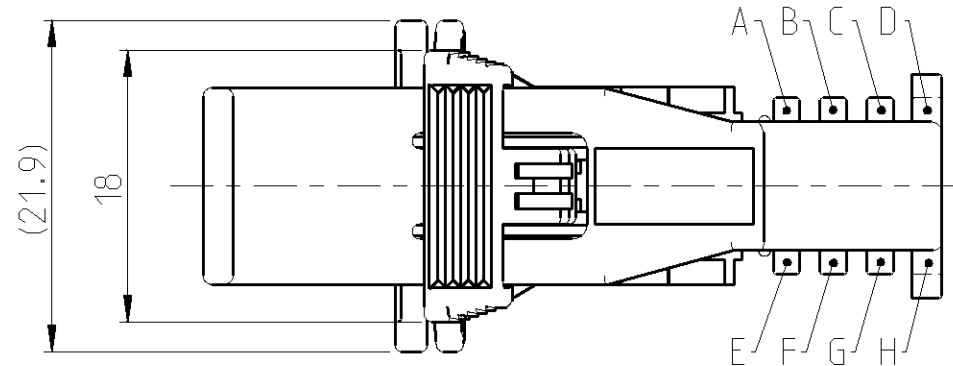
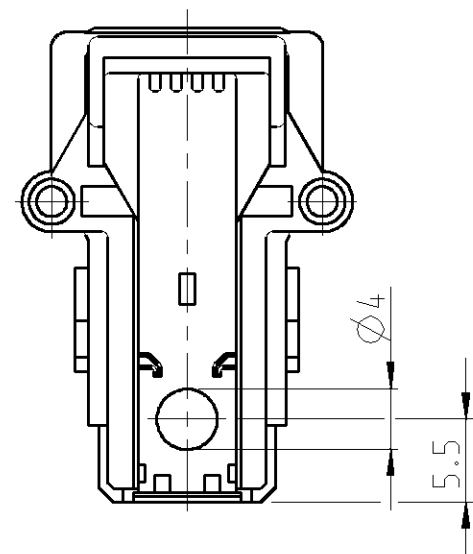
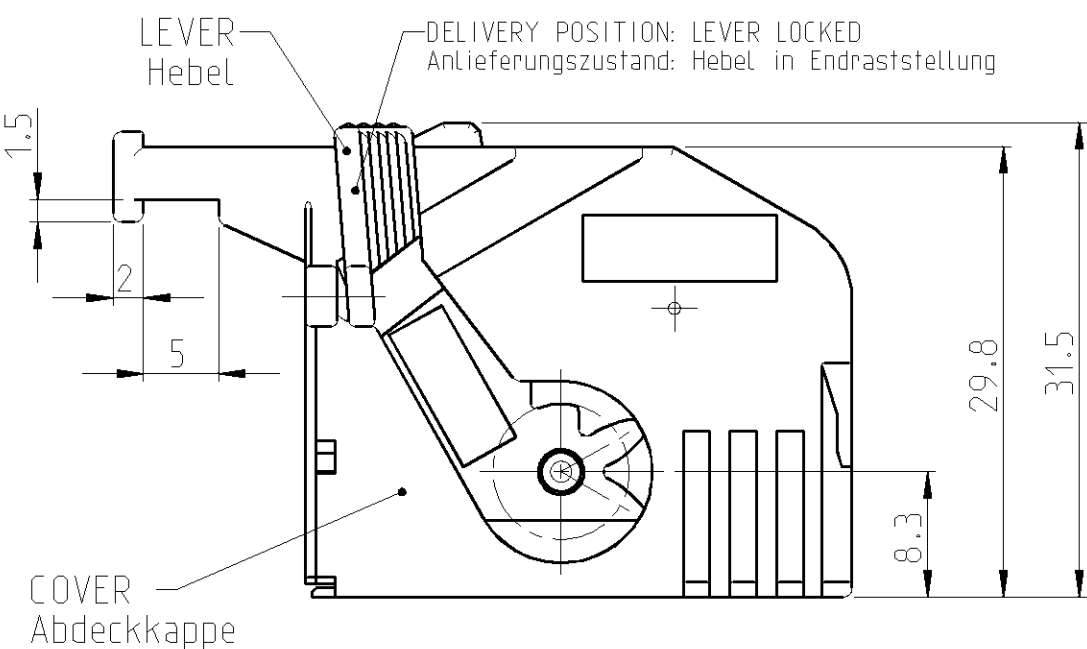
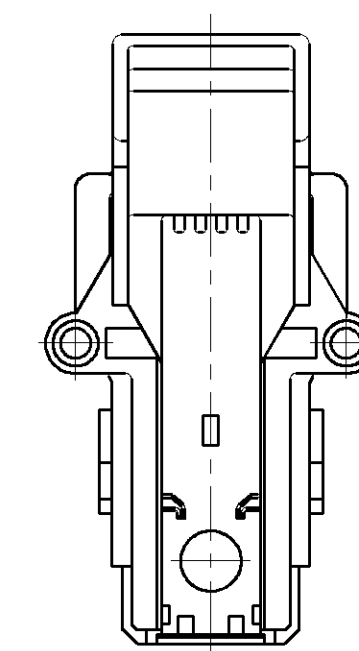
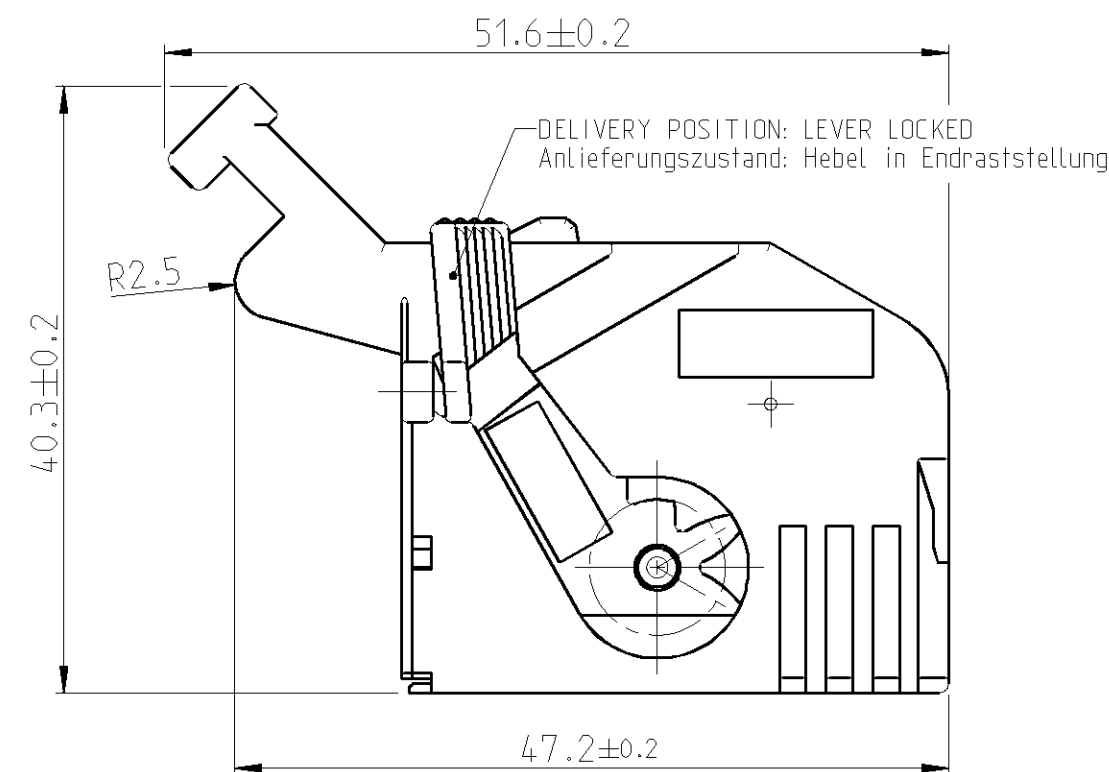
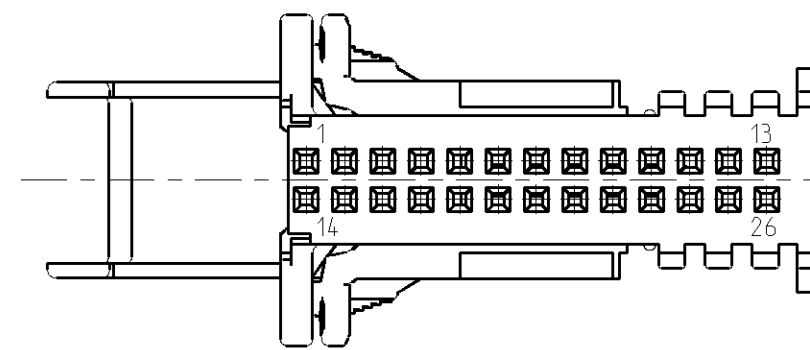


ASSEMBLY POSITION  
Montagezustand



DESIGN B  
Ausfuehrung B

(MISSING DIMENSIONS SEE DESIGN A)  
(Fehlende Masse siehe Ausfuehrung A)



NOTES:  
Bemerkungen:

- DRAWN WITH ALL CODINGS  
gezeichnet mit allen Kodierungen
  - PART-NO. ACCORDING TO LETTERING DIN 1451  
Teile-Nr. nach Mittelschrift DIN 1451
  - SUITABLE TO PIN STRIP:  
V23540-M1126-B5\*\* (PN 4-1393375-3 TO -9 AND PN 5-1393375-0)  
V23540-M1626-D5\*\* (PN 5-1393375-3/\*-5/\*-7/\*-8 AND 6-1393375-0/\*-2 TO -5)  
V23540-M1626-F5\*\* (PN 6-1393375-7/\*-8 AND 7-1393375-0/\*-1/\*-3/\*-5 TO \*-9)  
V23540-M1026-Y1 (PN 4-1393476-3 / 5-1393476-0/\*-1)
  - SUITABLE SOCKET HOUSING:  
V23540-M1026-Q50\* (PN 0-1393374-2)
- 5 COVER: PBT-GF30; COLOUR: SEE TABLE  
Kappe: PBT-GF30; Farbe: siehe Tabelle  
LEVER: PBT-GF20; COLOUR: TURQUOISE BLUE  
Hebel: PBT-GF20; Farbe: fuerkisblau

REPLACEMENT FOR SE-DRAWING  
V23540-M1026-S500-\*27  
Ersatz fuer SE-Zeichnung  
V23540-M1026-S500-\*27

V23540-M1026-S509	-	V23540-M1026-Y209	-	D - E	TURQUOISE BLUE
V23540-M1026-S508	-	V23540-M1026-Y208	-	A - H	ORANGE
V23540-M1026-S507	-	V23540-M1026-Y207	-	D - F	LILAC
V23540-M1026-S506	-	V23540-M1026-Y206	-	B - H	GREY
V23540-M1026-S505	-	V23540-M1026-Y205	2-1393434-2	D - G	BROWN
V23540-M1026-S504	1-1393434-6	V23540-M1026-Y204	2-1393434-1	C - H	GREEN
V23540-M1026-S503	1-1393434-5	V23540-M1026-Y203	2-1393434-0	A - E	YELLOW
V23540-M1026-S502	1-1393434-4	V23540-M1026-Y202	1-1393434-9	B - F	SIGNAL BLUE
V23540-M1026-S501	1-1393434-3	V23540-M1026-Y201	1-1393434-8	C - G	BEIGE
V23540-M1026-S500	1-1393434-2	V23540-M1026-Y200	1-1393434-7	D - H	BLACK
SE-ORDER-NO.	TE-ORDER-NO.	SE-ORDER-NO.	TE-ORDER-NO.	GEOMETRIC	COLOUR
DESIGN A WITH CABLE OUTLET 90°		DESIGN B WITH CABLE OUTLET 45°		CODING	

ISO 8015  
DIN 16901-130  
DIN ISO 2768-mH

DIMENSIONS:		TOLERANCES UNLESS OTHERWISE SPECIFIED:		DWN		Tyco Electronics	
mm		0 PLC ±		16SEP1992		Tyco Electronics AMP GmbH	
MATERIAL		1 PLC ±		CHK EC B EA 16SEP1992		64625 Bensheim (Germany)	
5		2 PLC ±		APVD EC B FA 16SEP1992		NAME	
		3 PLC ±		PRODUCT SPEC		26POS. COVER WITH LEVER	
		4 PLC ±		APPLICATION SPEC		26pol. Abdeckkappe mit Hebel	
		ANGLES ±		WEIGHT		SIZE	
		FINISH		CUSTOMER DRAWING		CAGE CODE	
						DRAWING NO	
						RESTRICTED TO	
						A2 100779 ©-1393434	
						SCALE	
						SHEET 1 OF 1	
						REV A	

## X-ON Electronics

Largest Supplier of Electrical and Electronic Components

*Click to view similar products for [TE Connectivity](#) manufacturer:*

Other Similar products are found below :

[D38999/24FJ4AN](#) [570416-000](#) [CLTEQ-M81CE-SSRELAY-4-20V](#) [4-1195131-0](#) [650069-000](#) [SMD100-2](#) [358838-000](#) [CB-1022B-78](#)  
[RM707012](#) [RP410012](#) [MMS42](#) [1-640426-8](#) [2EDL4CM](#) [DTS20W19-11PD-3028-LC](#) [RM202615](#) [NC6-P104-06](#) [MSPS103B](#) [DTS26F21-41HE-LC](#) [DTS26F21-41AE](#) [DTS26F21-41PE-LC](#) [DTS26F21-11SE-3028-LC](#) [30DCB6](#) [1932144-1](#) [293545-4](#) [LVR125S](#) [MS27466T25F4PB](#)  
[CKB-38-78010](#) [TR04AI-TINELLOCKRING](#) [1206SFF150F/63-2](#) [D38999/20JB35HA](#) [TE1500A2R2J](#) [D38999/20WC8BB](#) [DTS24F19-11SC-3028-LC](#) [D38999/24WG11HA](#) [D38999/24WG11HN](#) [MS27467T21F11H](#) [DJT16E21-11HA](#) [MS27467T21F35J](#) [MS27467T21F11J](#)  
[MS27467T21F16H-LC](#) [MS27467T21F35H](#) [MS27467T21F41H-LC](#) [1206SFH150F/24-2](#) [RP330024](#) [DJT16E21-11PA-LC](#) [DJT16E21-11HA-LC](#) [DJT16E21-11AA](#) [MS27467T21B11JA](#) [DJT16E21-11JA](#) [MS27467T21B11JA-LC](#)