

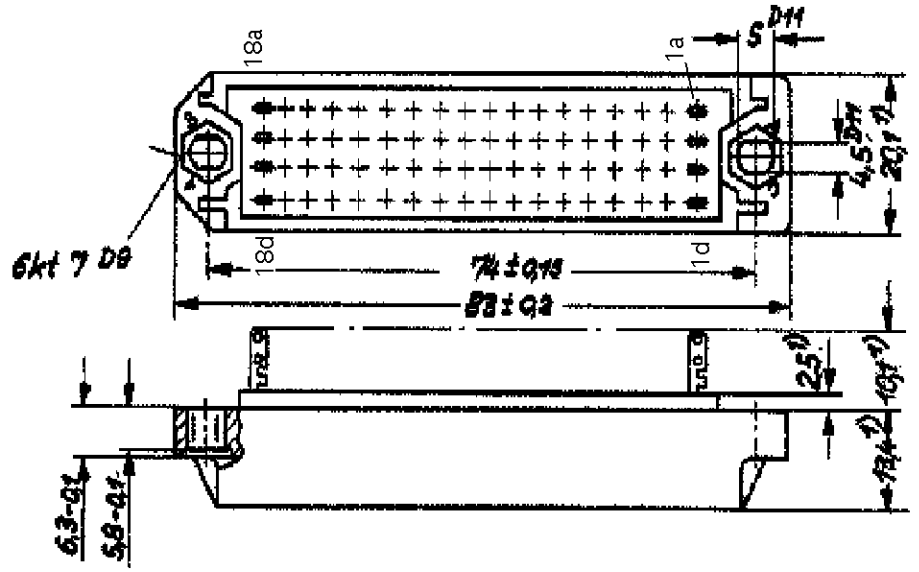
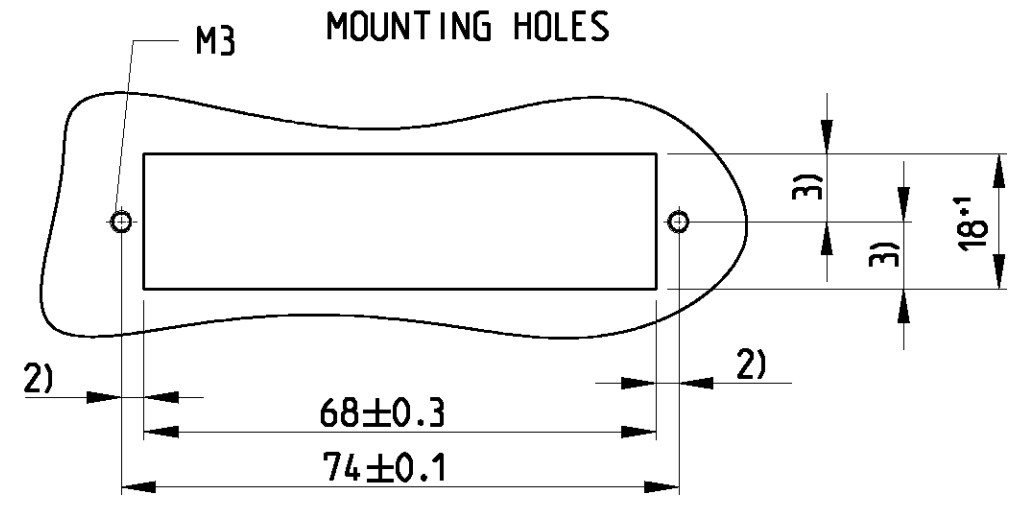
THIS DRAWING IS UNPUBLISHED. RELEASED FOR PUBLICATION 2000
 © COPYRIGHT 2000 BY TYCO ELECTRONICS CORPORATION. ALL RIGHTS RESERVED.

LOC	DIST	REVISIONS					
		P	LTR	DESCRIPTION	DATE	DWN	APVD
A1	-		A1	NEW DRAWING	13MAR2003	ACK	G.F

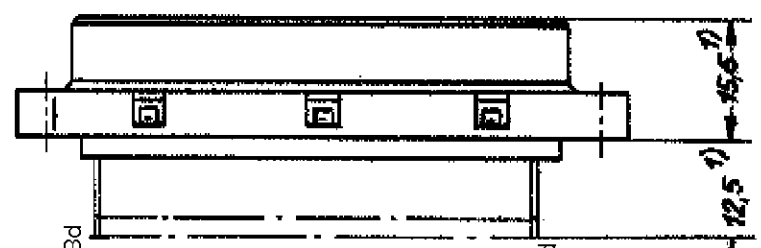
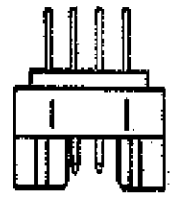
CROSS REFERENCE FOR ACTIVE PARTNUMBERS

FEMALES FEDERLEISTEN		MALES MESSERLEISTEN	
TYCO - PN	OLD PN	TYCO - PN	OLD PN
1-1393555-1	C 42334-A304-A14	1-1393556-9	C 42334-A304-A13
1-1393555-2	C 42334-A304-A18	2-1393556-0	C 42334-A304-A17
1-1393555-3	C 42334-A304-A214	2-1393556-2	C 42334-A304-A213

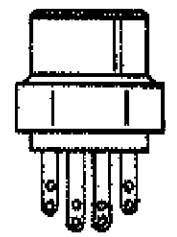
4)



MALE
1-1393556-9



FEMALE
1-1393555-1



- 1) MAX. DIMENSION
- 2) 3) PERM. DIFFERENCE 0.2
- 4) CONNECTORS WITH SOLDER PIN
- 5) DIMENSION 6 FOR 4)

FEMALES WITH SAME OUTSIDE DIMENSIONS AS MALES
 REPLACEMENT FOR EC-DRAWING C42334-A304-A13-*-27

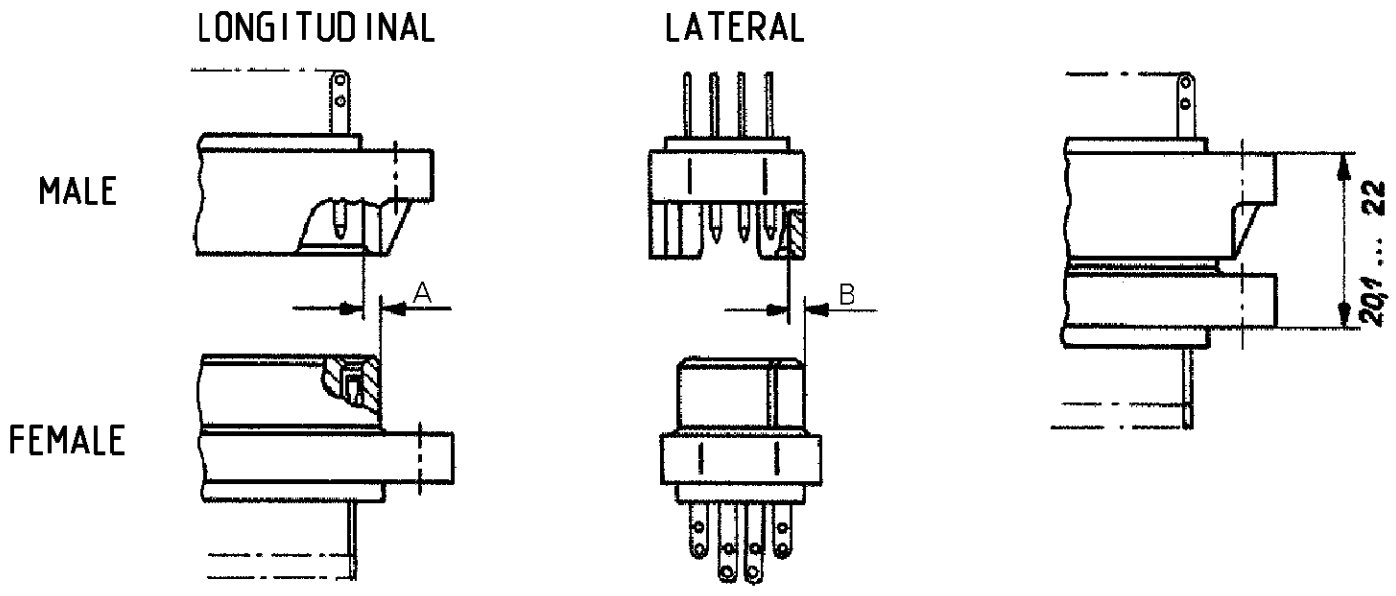
<small>THIS DRAWING IS A CONTROLLED DOCUMENT FOR TYCO ELECTRONICS CORPORATION IT IS SUBJECT TO CHANGE AND THE CONTROLLING ENGINEERING ORGANIZATION SHOULD BE CONTACTED FOR THE LATEST REVISION.</small>		DWN G.ACKERMANN 13MAR2003 CHK M.SCHLEIHAUF 14MAR2003 APVD G.FELDMEIER 18MAR2003	tyco Electronics tyco Electronics AMP GmbH D - 67346 Speyer
DIMENSIONS: mm	TOLERANCES UNLESS OTHERWISE SPECIFIED: 0 PLC ± 1 PLC ± 2 PLC ± 3 PLC ± 4 PLC ± ANGLES ±	PRODUCT SPEC - APPLICATION SPEC - WEIGHT -	NAME MALE AND FEMALE RP300 72-POSITIONS AND PARTIAL LOADED PRE-MATING CONTACTS
MATERIAL -	FINISH -	SIZE A3 CAGE CODE 00779 DRAWING NO C-1-1393555-1	RESTRICTED TO -
CUSTOMER DRAWING		SCALE 1:1	SHEET 1 OF 2 REV A1

THIS DRAWING IS UNPUBLISHED. RELEASED FOR PUBLICATION 2000
 © COPYRIGHT 2000 BY TYCO ELECTRONICS CORPORATION. ALL RIGHTS RESERVED.

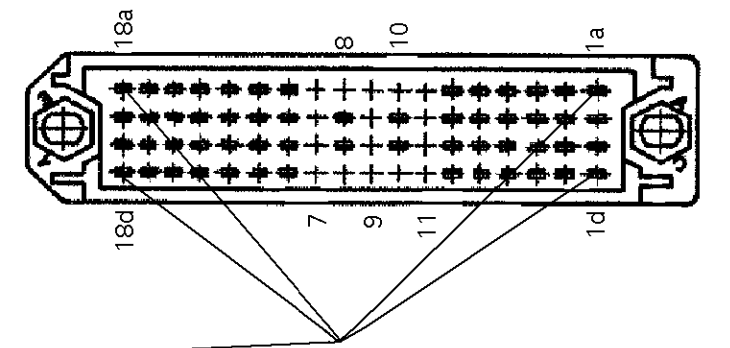
LOC	DIST	REVISIONS			
P	LTR	DESCRIPTION	DATE	DWN	APVD
A1	-	SEE SHEET 1	-	-	-

CONNECTION CONDITIONS

INSERTION DEPTH



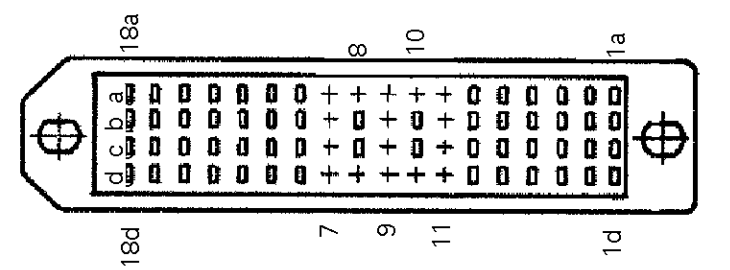
MALE 2-1393556-2
 PARTIAL LOADED
 WITH PRE-MATING CONTACTS



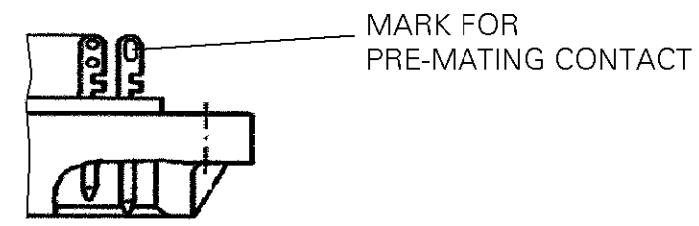
UNLOADED POSITIONS:
 7abcd;8ad;9abcd;10ad;11abcd

PRE-MATING CONTACTS:
 a1;a18;d1;d18

FEMALE 1-1393555-3
 PARTIAL LOADED



UNLOADED POSITIONS:
 7abcd;8ad;9abcd;10ad;11abcd



STANDARD CONNECTORS	FIXED MOUNTING	FLOATING MOUNTING
DIRECTION		
LONGITUDINAL DIM. A	±0.15	±0.7
LATERAL DIM. B	±0.1	±0.7
CONNECTORS WITH PRE-MATING CONTACTS		
DIRECTION		
LONGITUDINAL DIM. A	±0.15	±0.35
LATERAL DIM. B	±0.1	±0.3

THIS DRAWING IS A CONTROLLED DOCUMENT FOR TYCO ELECTRONICS CORPORATION. IT IS SUBJECT TO CHANGE AND THE CONTROLLING ENGINEERING ORGANIZATION SHOULD BE CONTACTED FOR THE LATEST REVISION.

DIMENSIONS:	TOLERANCES UNLESS OTHERWISE SPECIFIED:	DWN	13MAR2003	 tyco Electronics AMP GmbH D - 67346 Speyer
mm		CHK	14MAR2003	
		APVD	18MAR2003	
	0 PLC ±	PRODUCT SPEC		NAME
	1 PLC ±			MALE AND FEMALE RP300
	2 PLC ±			72-POSITIONS AND PARTIAL LOADED
	3 PLC ±			PRE-MATING CONTACTS
	4 PLC ±			SIZE
	ANGLES ±			CAGE CODE
				DRAWING NO
MATERIAL	FINISH	WEIGHT		RESTRICTED TO
-	-	-		A3 00779 C-1-1393555-1
CUSTOMER DRAWING			SCALE	SHEET
			1:1	2 OF 2
				REV
				A1

X-ON Electronics

Largest Supplier of Electrical and Electronic Components

Click to view similar products for [Headers & Wire Housings](#) category:

Click to view products by [TE Connectivity](#) manufacturer:

Other Similar products are found below :

[95000-104TRLF](#) [10135584-644402LF](#) [DF62W-EP2022PCA](#) [95000-106TRLF](#) [DF62W-2022SCA](#) [DF62W-EP2022PC](#) [2203348](#) [DF62W-2022SC](#) [1084018](#) [1029039](#) [1084017](#) [802-10-012-10-002000](#) [1112640](#) [1112639](#) [000-34000](#) [0009482033](#) [0009507031](#) [57102-S06-03LF](#) [57202-S52-04LF](#) [PCN6-15S-2.5E](#) [0039019024](#) [58102-G61-06LF](#) [582553-1](#) [0009508121](#) [0050291907](#) [018731A](#) [LY20-4P-DT1-P1E-BR](#) [02.125.8002.8](#) [60101931](#) [60598-1 \(Cut Strip\)](#) [M1625-3R/100](#) [61062-3](#) [61082-181009](#) [636-1427](#) [638009-1](#) [641938-9](#) [641991-4](#) [644168-1](#) [647662-1](#) [65039-019ELF](#) [65817-002LF](#) [65817-015LF](#) [65863-015LF](#) [66207-023LF](#) [67016-026LF](#) [67046-001LF](#) [67095-007LF](#) [68002-116](#) [68016-236H](#) [68648-049](#)